



# KTC-111GY KTC-111TN

ALPINE ELECTRONICS, INC.  
Tokyo office ; 1-1-8 Nishi Gotanda,  
Shinagawa-ku, Tokyo 141-8501, Japan  
Tel.: (03) 3494-1101

ALPINE ELECTRONICS OF AMERICA, INC.  
19145 Gramercy Place, Torrance,  
California 90501, U.S.A.  
Tel.: 1-800-ALPINE1 (1-800-257-4631)  
1-888-NAV-HELP (1-888-628-4357)

ALPINE ELECTRONICS OF CANADA, INC.  
Suite 203, 7300 Warden Ave. Markham, Ontario  
L3R 9Z6, Canada  
Tel.: 1-800-ALPINE1 (1-800-257-4631)

ALPINE ELECTRONICS OF AUSTRALIA PTY. LTD.  
6-8 Fiveways Boulevard Keysborough Victoria 3173,  
Australia  
Tel.: (03) 9769-0000

ALPINE ELECTRONICS GmbH  
Kreuzerkamp 7-11 40878 Ratingen, Germany  
Tel.: 02102-45 50

ALPINE ITALIA S.p.A.  
Via C.Colombo 8, 20090 Trezzano  
Sul Naviglio MI, Italy  
Tel.: 02-48 47 81

ALPINE ELECTRONICS FRANCE S.A.R.L.  
98, Rue De La Belle Etoile, Z.I. Paris Nord II B.P.50016  
F-95945, Roissy, Charles De Gaulle Cedex, France  
Tel.: 01-48 63 89 89

ALPINE ELECTRONICS OF U.K., LTD.  
13 Tanners Drive, Blakelands,  
Milton keynes MK14 5BU, U.K.  
Tel.: 01908-61 15 56

ALPINE ELECTRONICS DE ESPAÑA, S.A.  
Instalación de Gamarra 36, Pabollón 32  
01013 Vitoria(Alava)-Apdo. 133, Spain  
Tel.: 34-45-283588

INSTALLATION INSTRUCTION # ALA440089

Printed in U.S.A

INSTALLATION INSTRUCTION # ALA440089

Printed in U.S.A

## Semi-Universal Trim Ring

### INSTALLATION MANUAL





26. Raise monitor housing into approximate position and connect all wiring to components. Connect wiring and cabling per instructions included with LCD monitor. **Caution: Check for clearance of dome light switch terminals and other wiring to prevent possibility of a short circuit.**
27. Check function of all components and lights. See operating instructions for video operations check. For further assistance, refer to the TMX-R680A owner's manual for the technical support phone number listed for your area.
28. Adjust position of console to match contours in headliner and secure to threaded clips in mounting bracket assembly. **Caution: If spacers are not cut to proper length, over tightening may cause headliner to buckle.** Screw & spacer assembly should be snug, preventing rocking or vibration.
29. Raise LCD monitor panel into locked position.

NOTE: These instructions are intended for experienced professional installers within mobile electronics industry. Specialized tools and equipment, as well as careful handling of product during installation may be required. Before beginning this installation, carefully read through the following instructions. **Use extreme care when cutting headliner material.** Check for wiring or other critical components above headliner material, and cut only where indicated.



PHOTO 11

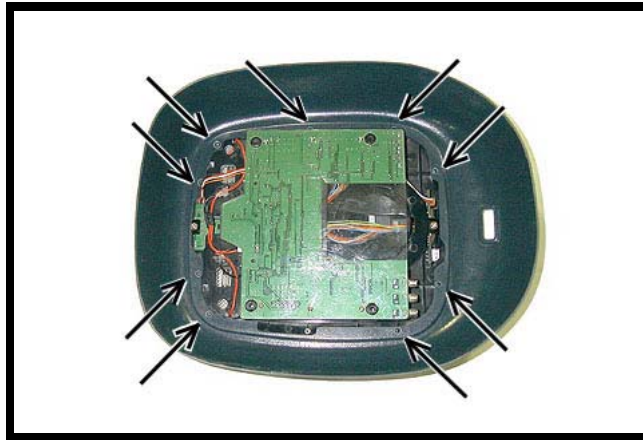
Materials/Tools required for this installation:

1. Phillips Screwdriver
2. Powered Screwdriver or drill with adapter
3. Awl or scribe point tool or similar
4. Razor knife or other appropriate cutting tool
5. 1/4" Hex socket bit
6. Alpine TMX-R680A Mobile Overhead Monitor

### III. INSTALLATION OF CONSOLE

**Caution:** Use support for the console <sup>2</sup> until secured to the vehicle.  
Failure to do so may cause damage to console or installed components.

19. The plain plastic trim ring may be painted or covered with material if desired. Additionally, the vinyl covered low profile trim ring may be dyed for color matching.
20. Insert the LCD monitor into the trim ring and secure using screws provided with monitor. See Photo 7.
21. Install dome light switch (item 13 pg 3) in opening in front of console. 7



22. To determine the length of spacers (item 9 pg 3) and screws that will be needed, place a straight edge across the console and measure to each mounting boss as shown. See Photo 8. Mark each spacer and screw appropriately, then trim to measured length. See Photo 8.

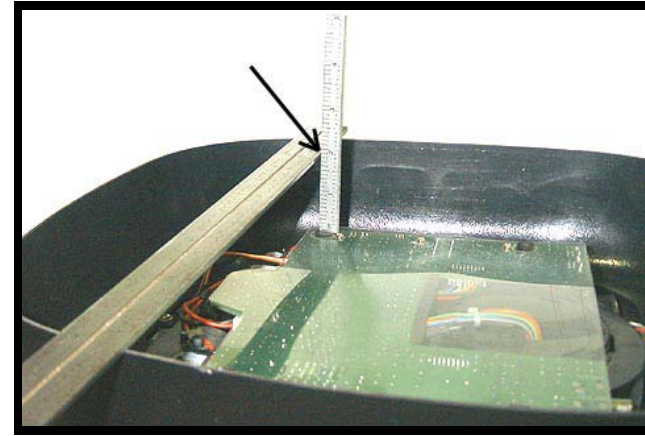


PHOTO 8

**Caution: If screws extend more than 1" past the edge of console, damage to roof of vehicle may occur. Trim screws as necessary.**

23. If spacers and screws are different lengths, be sure make note of proper location for correct installation.
24. Release LCD monitor panel from locked position. Lower to viewing position to access mounting locations. Install (4) four proper length 8-32 screws (item 3 or 8 pg 3), (4) four # 8 lock washers (item 4 pg 3), and (4) four plastic spacers (item 9 pg 3) previously cut. See Photo 9 & 10.
25. Place fender washer (item 6 pg 3) and push on retainer (item 5 pg 3) over screws as shown. See Photo 9 & 10.

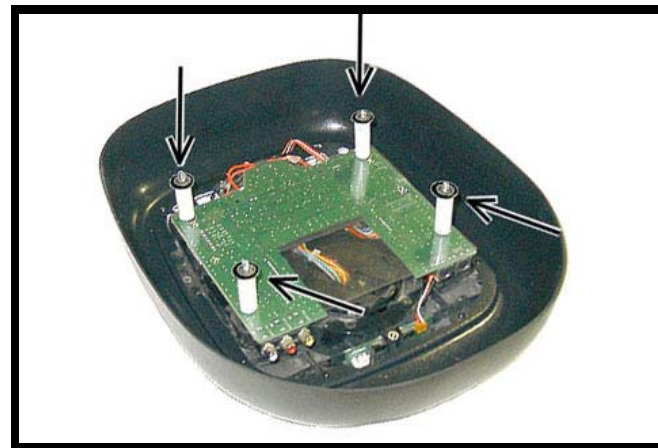
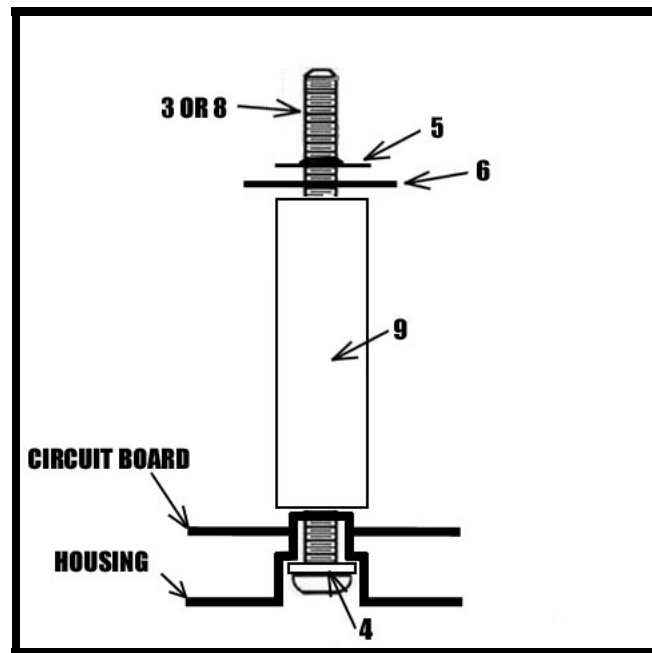
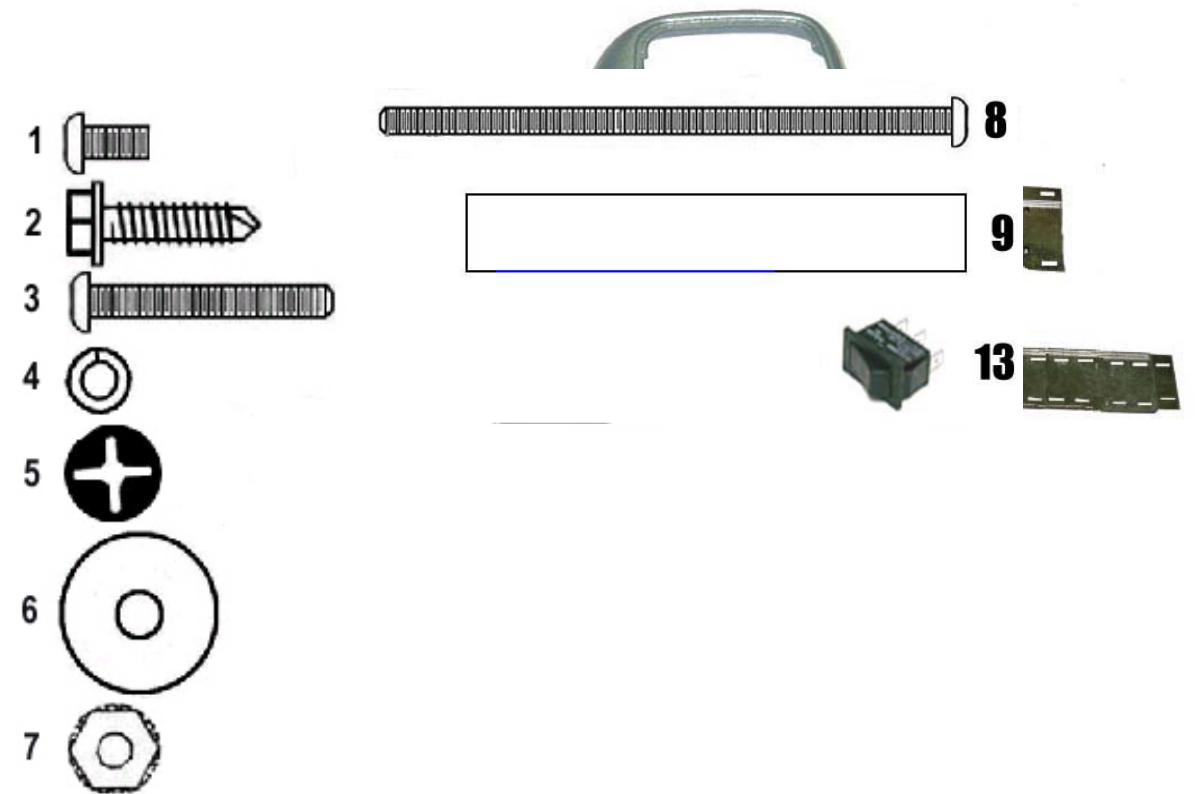


PHOTO 10

**MATERIALS PROVIDED FOR INSTALLATION:**

ITEM	Description	QTY
1	PHOTO 8 SCREW, 8-32 X 3/8" PPH	4
2	SCREW, #10 X 3/4" HWH	4
3	SCREW, 8-32 X 1 1/2" PPH	4

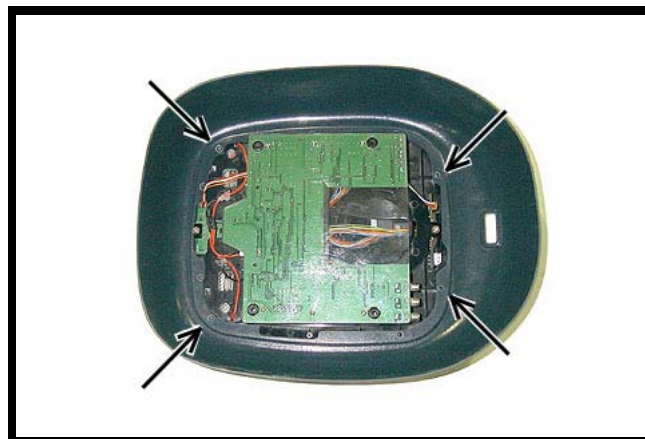
4	SPLIT LOCK WASHER, # 8	4
5	PUSH ON RETAINER	4
6	FENDER WASHER	4
7	NUT, 8-32, KEPS	4
8	SCREW, 8-32 X 3 1/2" PPH	4
9	PLASTIC SPACER, 1/4" X 1/2" X 3"	4
10	MOUNTING BRACKET	1
11	CONSOLE, VINYL COVERED	1
12	CONSOLE, PLASTIC ONLY	1
13	SWITCH, SPDT	1
14	CONSOLE MOUNTING BRACKET	1



**I. PREPARATION OF VEHICLE INTERIOR**

1. Determine which console is to be used, the low profile vinyl covered console (item 11 pg 3) for relatively flat headliners or high profile plastic only console (item 12 pg 3) for heavily contoured headliners.
2. Insert the TMX-R680A LCD monitor in the console and secure using (4) four screws provided with monitor. <sup>3</sup> See Photo 1.

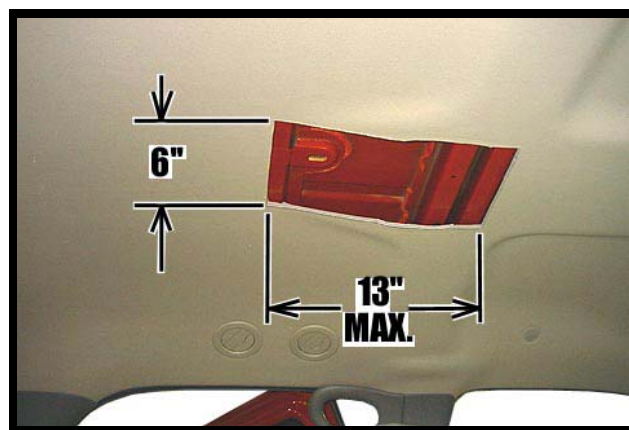
3. Release LCD monitor panel from locked position. Lower to viewing position.



**DRIVER'S FIELD OF THE VIEW AND THE PASSENGER'S SAFETY.**

5. Mark location on headliner with masking tape.
6. If mounting location is over the dome light, remove light and disconnect wiring.
7. Locate the vehicle's roof brace and determine how close it is to the center of the console.
8. If the roof brace is close to center, you can use just the center bracket of the mounting bracket assembly (item 14 pg 3). If the roof brace is in front of the console, you will need to locate a second roof brace.

The mounting bracket assembly can be adjusted to span up to 29" between braces. If a span of more than 13" is required, the headliner may need to be lowered to gain access to the rear mounting screws.



9. Using a razor knife, carefully trim headliner as shown to allow clearance for mounting bracket. Make sure location is centered left to right. See Photo 3.  
**Caution: Before cutting headliner material, check for wiring or other critical components above headliner. DO NOT OVERCUT HEADLINER.**

10. Make necessary adjustments to the mounting bracket assembly and install in vehicle. Use additional screws and nuts (items 1 & 7 pg 3) if necessary. Make sure that bracket is centered left to right and secure using (4) four # 10 x 3/4" screws (item 2 pg 3).

**Caution: Make sure that roof brace is at least 3/4" tall. If not, substitute a shorter screw or damage to roof may occur.** See Photo 4.

11. Prepare connection of the vehicle's dome light wires to the monitor for proper function. **Note: Vehicle dome light +12V constant may not provide sufficient current for both monitor and integrated lights. Direct connection to battery may be required.** Refer to wiring/connections section of the TMX-R680A owner's manual for details.

4. Determine a suitable mounting location by raising console into approximate position and checking the viewing angle from the rear seat, contours in headliner, that **THE MONITOR CAN NOT BE VIEWED BY THE DRIVER, AND THAT THE MONITOR WILL NOT IMPROPERLY LIMIT REAR VIEW MIRROR FUNCTIONS. ENSURE COMPLIANCE WITH ALL APPLICABLE SAFETY STANDARDS GOVERNING THE FUNCTION OF THE REAR VIEW MIRROR, THE**



PHOTO 2

12. Using an analog or digital multi-meter, test the function of the dome lights.

13. Install and route all video and audio cables, and any other added component requirements to their respective places in the vehicle. Refer to component installation instructions for wiring diagrams. The suggested routing of the video system cable is as follows: Above the headliner from video system to the B-pillar. Down the B-pillar to the floor. See Photo 5. Connect per instructions included with the video system and the TMX-R680A owner's manual.

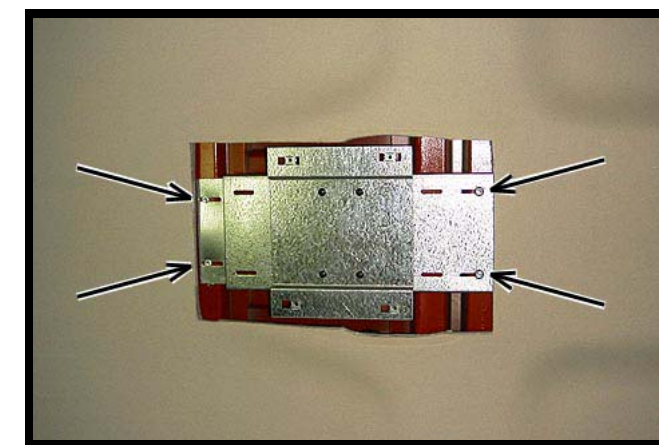


PHOTO 4

## II. PREPARATION OF TRIM RING

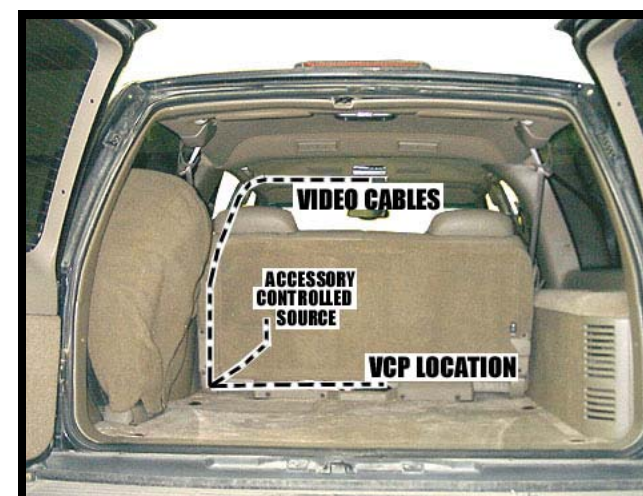


PHOTO 5

18. Carefully trim the console with an appropriate cutting tool (e.g. jigsaw, razor knife, etc). Check the fit of console and make any necessary changes.

14. The console may need to be trimmed to fit the contour of the headliner. Apply masking tape to the console.

15. Tape a pen or pencil to the handle of a screwdriver to make a contour marking tool. See Photo 6.

16. Raise console into approximate position and trace around console. See Photo 6.

17. Remove LCD monitor housing from console and set it in a safe place.



PHOTO 6