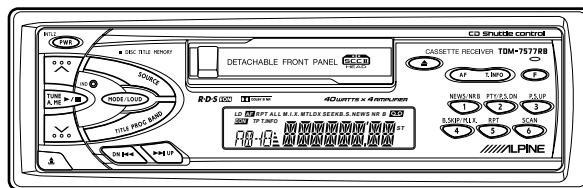




TDM-7577R TDM-7576R TDM-7575R TDM-7574R

FM/MW/LW/RDS Cassette Receiver

- **OWNER'S MANUAL**
Please read before using this equipment.
- **BEDIENUNGSANLEITUNG**
Lesen Sie diese Bedienungsanleitung bitte vor Gebrauch des Gerätes.
- **MODE D'EMPLOI**
Veuillez lire avant d'utiliser cet appareil.
- **MANUAL DE OPERACIÓN**
Léalo antes de utilizar este equipo.
- **ISTRUZIONI PER L'USO**
Si prega di leggere prima di utilizzare il attrezzatura.
- **ANVÄNDARHANDLEDNING**
Innan du använder utrustningen bör du läsa igenom denna användarhandledning.



(TDM-7577R)

ALPINE ELECTRONICS, INC.
Tokyo office: 1-1-8 Nishi Gotanda,
Shinagawa-ku,
Tokyo 141-8501, Japan
Tel.: (03) 3494-1101

ALPINE ELECTRONICS OF AMERICA, INC.
19145 Gramercy Place, Torrance,
California 90501, U.S.A.
Tel.: 1-800-ALPINE-1 (1-800-257-4631)

ALPINE ELECTRONICS OF CANADA, INC.
Suite 203, 7300 Warden Ave. Markham,
Ontario L3R 9Z6, Canada
Tel.: 1-800-ALPINE-1 (1-800-257-4631)

ALPINE ELECTRONICS OF AUSTRALIA PTY. LTD.
6-8 Fiveways Boulevard Keysborough,
Victoria 3173, Australia
Tel.: (03) 9769-0000

ALPINE ELECTRONICS GmbH
Kreuzerkamp 7-11 40878 Ratingen,
Germany
Tel.: 02102-45 50

ALPINE ITALIA S.p.A.
Via C. Colombo 8, 20090 Trezzano Sul Naviglio
MI, Italy
Tel.: 02-48 47 81

ALPINE ELECTRONICS FRANCE S.A.R.L.
(RCS PONTOISE B 338 101 280)
98, Rue De La Belle Etoile, Z.I. Paris Nord II
B.P. 50016 F-95945, Roissy, Charles De Gaulle
Cedex, France
Tel.: 01-48 63 89 89

ALPINE ELECTRONICS OF U.K., LTD.
13 Tanners Drive, Blakelands, Milton Keynes
MK14 5BU, U.K.
Tel.: 01908-61 15 56

ALPINE ELECTRONICS DE ESPAÑA, S.A.
Portal De Gamarra 36, Pabellón 32
01013 Vitoria (Alava)-Apdo. 133, Spain
Tel.: 34-45-283588

EN

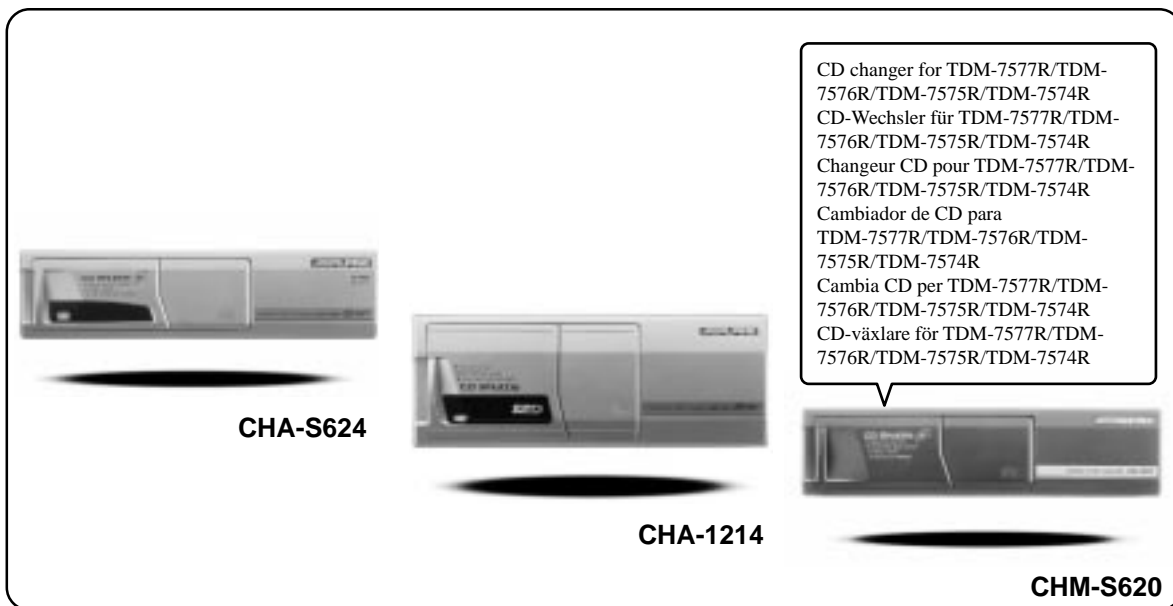
DE

FR

ES

IT

SE



Alpine CD Changers Give You More!

More musical selections, more versatility, more convenience.

An Alpine CD Changer adds more musical choices to your sound system. All models can be controlled from Alpine head units and deliver excellent sound quality. The CHA-S624 is a high-performance 6-disc changer with a new M DAC, Ai-NET compatibility, Optical Digital Output, 150 Disc Title Memory and CD TEXT. The CHA-1214 Ai-NET model holds 12 discs, and the CHM-S620 M-Bus model is a super-compact 6-disc changer.

Von Alpine CD-Wechslern haben Sie mehr!

Mehr Musikauswahl, mehr Vielseitigkeit, mehr Komfort.

Mit einem Alpine CD-Wechsler erweitern Sie die Musikauswahl Ihres Systems. Sämtliche Modelle lassen sich von einer Alpine-Bedieneinheit aus steuern und liefern hervorragende Klangqualität. Der CHA-S624 ist ein Ai-NET-kompatibler Hochleistungs-Wechsler für 6 CDs mit dem neuen M-DAC, Digitalausgang für Glasfaserkabel, CD-Titelspeicher für 150 Titel und CD-TEXT. Das Ai-NET-Modell CHA-1214 nimmt 12 CDs auf, und der M-Bus-kompatible CHM-S620 ist ein superkompakter Wechsler für 6 CDs.

Changeurs de CD Alpine : vous avez le choix!

Plus de sélections musicales, plus de souplesse, plus de confort.

Un changeur de CD Alpine permet d'augmenter la plage des sélections musicales de votre système embarqué. Tous les modèles peuvent être contrôlés à partir des autoradios Alpine et offrent une excellente qualité audio. Le modèle CHA-S624 est un changeur 6 disques ultra performant compatible Ai-NET et équipé d'un convertisseur N/A standard, d'une sortie optique numérique, d'une mémoire d'une capacité de 150 titres et de la fonction CD TEXT. Le modèle CHA-1214 Ai-NET peut contenir 12 disques. Le modèle CHM-S620 M-Bus est un changeur 6 disques super compact.

¡Los cambiadores Alpine de CD le ofrecen más!

Más selecciones musicales, más versatilidad y más ventajas.

Un cambiador Alpine de CD añade más opciones musicales a su equipo de sonido. Todos los modelos pueden controlarse desde las unidades principales de Alpine y proporcionar un sonido de calidad excepcional. El modelo CHA-S624 es un cambiador de 6 discos de alto rendimiento con el nuevo DAC "M" y compatibilidad con Ai-NET, salida digital óptica, memoria de títulos de 150 discos y TEXTO CD. El modelo CHA-1214 Ai-NET admite 12 discos y el modelo CHM-S620 Bus-M es un cambiador de 6 discos y tamaño reducido.

I caricatori CD Alpine danno di più!

Più scelta, più versatilità, più comodità.

Un caricatore CD Alpine offre maggiore scelta. Tutti i modelli possono essere controllati tramite le unità di controllo Alpine e producono un suono di qualità eccellente. CHA-S624 è un caricatore a 6 dischi Ai NET compatibile e dotato di un nuovo M DAC, di un'uscita ottica digitale, memorizzazione dei titoli di 150 dischi e CD TEXT. Il modello CHA-1214 Ai NET può contenere un massimo di 12 dischi, mentre il modello CHM-S620 M-Bus è un caricatore a 6 dischi ultra compatto.

Alpines CD-växlare ger mer!

Fler musikval, mer variation, större bekvämlighet.

Med Alpines CD-växlare i systemet får du större musikalisk valfrihet. Alla modeller kan styras från Alpines huvudenheter och ger enastående ljudkvalitet. CHA-S624 är en högpresterande växlare för 6 skivor med en ny M D/A-omvandlare, kompatibel med Ai-NET, optisk digitalutgång, titelminne för 150 skivor och CD-TEXT. Modellen CHA-1214 Ai-NET rymmer 12 skivor och modellen CHM-S620 M-Bus är en superkompakt växlare för 6 skivor.

Contents

Operating Instructions

WARNING

WARNING	2
CAUTION	2
PRECAUTIONS	2

Basic Operation

Detaching the Front Panel	4
Attaching the Front Panel	4
Initial System Start-Up	4
Turning Power On and Off	5
Non Fading Pre-Out (N.F.P.) On and Off (TDM-7577R/TDM-7576R only)	5
Adjusting Source Signal Levels	5
Adjusting Volume/Bass/Treble/Balance (Between Left and Right Channels)/Fader (Between Front and Rear Speakers)	5
Turning Loudness On/Off	5

Radio Operation

Manual Tuning	6
Automatic Seek Tuning	6
Manual Storing of Station Presets	6
Automatic Memory of Station Presets	7
Tuning to Preset Stations	7

RDS Operation

Setting RDS Reception Mode and Receiving RDS Stations	8
Recalling Preset RDS Stations	8
Turning Emergency Alarm On or Off	9
Receiving Traffic Information	9
PTY (Programme Type) Tuning	9
Receiving Traffic Information While Playing Tape or Radio	9
Priority News	10
Receiving RDS Regional (Local) Stations	10

Cassette Player Operation

Inserting/Ejecting Cassette	11
Normal Play and Pause	11
Dolby B NR (Noise Reduction) (TDM-7577R/TDM-7576R only)	11
Repeat Play	11
Blank Skip (B.SKIP)	11
Fast Forward and Rewind	12
Scanning Programmes	12
Manual Reverse	12
Programme Sensor (P.S.)	12

CD Changer Operation

Controlling CD Changer (Optional)	13
Music Sensor (M.S.) Skip	13
Fast Forward and Backward	13
Repeat Play on Single Track or Entire Disc	13
M.I.X. (Random) Play	14
Disc Scan	14
To Display CD Titles (TDM-7577R/TDM-7576R only)	14
Titling Discs (TDM-7577R/TDM-7576R only)	15
Erasing Disc Title (TDM-7577R/TDM-7576R only)	15

Remote Control Operation

Controls on Remote Control (TDM-7577R/TDM-7576R only)	16
Battery Replacement	17

Information

In Case of Difficulty	18
Specifications	19

Installation and Connections

Precautions	20
Installation	21
Connections	22

* Dolby noise reduction manufactured under license from Dolby Laboratories Licensing Corporation. "DOLBY" and the double-D symbol are trademarks of Dolby Laboratories Licensing Corporation.

WARNING

WARNING

The exclamation point within an equilateral triangle and "WARNING" are intended to alert the user to the presence of important operating instructions.
Failure to heed the instructions will result in severe injury or death.

DO NOT DISASSEMBLE OR ALTER.

Doing so may lead to accident, fire or electric shock.

KEEP SMALL ARTICLES OUT OF THE REACH OF CHILDREN.

If swallowed, consult a physician immediately.

USE THE CORRECT AMPERE RATING WHEN REPLACING FUSES.

Failure to do so may result in fire or electric shock.

HALT USE IMMEDIATELY IF A PROBLEM APPEARS.

When problems occur such as a lack of sound or video, foreign objects inside the unit, smoke coming out, or noxious odors, stop use immediately and contact the dealer where you bought the equipment. Failure to do so may result in an accident or injury.

DO NOT OPERATE THE EQUIPMENT OR LOOK AT THE SCREEN WHILE DRIVING THE VEHICLE.

Operating the equipment may distract the driver from looking ahead of the vehicle and cause accident. Always stop the vehicle in a safe location before operating this equipment.

DO NOT RAISE THE VOLUME EXCESSIVELY.

Keep the volume at a level where you can still hear outside noises while driving. Driving while unable to hear outside noises could be the cause of accident.

DO NOT USE THIS EQUIPMENT FOR PURPOSES OTHER THAN STATED FOR THE VEHICLE.

Failure to do so may result in electric shock or injury.

DO NOT PLACE FOREIGN OBJECTS IN INSERTION SLOTS OR GAPS.

Do not insert hands, fingers or foreign objects in the disc or cassette insertion slots, or in gaps during monitor startup/storage. Doing so may result in personal injury or damage to the equipment.

DO NOT MIX NEW BATTERIES WITH OLD BATTERIES. INSERT WITH THE CORRECT BATTERY POLARITY.

When inserting the batteries, be sure to observe proper polarity (+ and -) as instructed. Rupture or chemical leakage from the battery may cause fire or personal injury.

CAUTION

The exclamation point within an equilateral triangle and "CAUTION" are intended to alert the user to the presence of important operating instructions.

Failure to heed the instructions can result in injury or material damage.

DO NOT BLOCK VENTS OR RADIATOR PANELS.

Blocking them may cause heat to build up inside and may result in fire.

STOP THE VEHICLE IF UNIT OPERATION MIGHT INTERFERE WITH DRIVING.

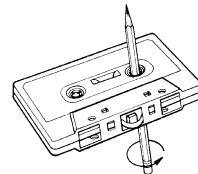
PRECAUTIONS

Temperature

Be sure the temperature inside the vehicle is between +60°C (+140°F) and -10°C (+14°F) before turning your unit on.

Tape Slack

Check and make sure any slack in the tape is taken up before inserting the tape into the unit. A loose tape can get caught in the mechanism and cause damage to the unit and the tape itself. Tighten the tape by inserting a pencil into the spindle hole and turn until all the slack has been taken up.



Excessively Thin Tape

C-120 type cassette tapes are not recommended for use in automobile tape players.

Precision Tape Mechanism

Prevent any foreign objects from entering the cassette opening as the precision mechanism and tape head may be damaged.

Never play dirty or dusty tapes – they can damage the tape head.

Tape Head Cleaning

Periodic cleaning (approximately every 20 hours of use) of the tape head with a wet type head-cleaning cassette tape (available at audio stores) is necessary for best performance.

Fuse Replacement

When replacing the fuse(s), the replacement must be of the same amperage as shown on the fuse holder. If the fuse blows more than once, carefully check all electrical connections for shorted circuitry. Also have your vehicle's voltage regulator checked.

Maintenance

If you have problems, do not attempt to repair the unit yourself. Return it to your Alpine dealer or the nearest Alpine Service Station for servicing.

Installation Location

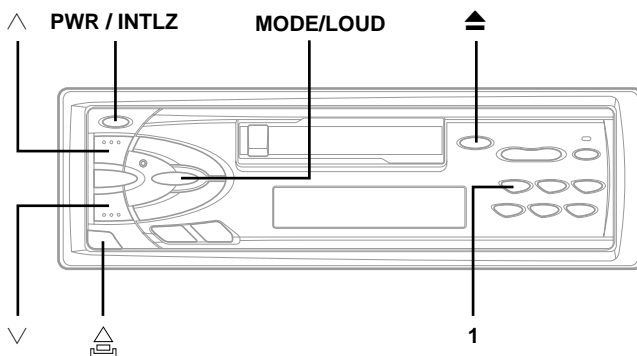
Make sure the TDM-7577R/TDM-7576R/TDM-7575R/TDM-7574R will not be installed in a location subjected to:

- Direct sun and heat
- High humidity and water
- Excessive dust
- Excessive vibrations


Handling the Detachable Front Panel

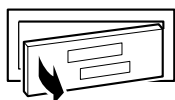
- Do not expose to rain or water.
- Do not drop or apply shock.

Basic Operation



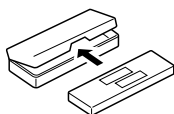
Detaching the Front Panel

- 1 Press the **PWR** (power) button to turn off the power.
- 2 Press the  (Release) button until the front panel pops out.
- 3 Grasp the left side of the front panel and pull it out.



NOTES

- The front panel may become hot (especially the connector terminals), this is not malfunction.
- To protect the front panel, place it in the supplied carrying case.

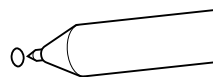
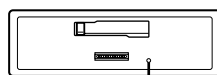


• Connectable to Remote Control Interface Box (TDM-7577R/TDM-7576R only)

You can operate this unit from the vehicle's control unit when an Alpine Remote Control Interface Box (optional) is connected. For details, contact your Alpine dealer.

Initial System Start-Up

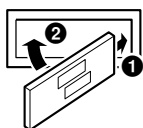
- 1 When operating the unit for the first time after installation or after the vehicle's battery has been disconnected and reconnected, set the volume level to its minimum, then remove the detachable front panel. There is a small hole at right side of the connector. Behind this hole the red Reset switch is mounted. Press the Reset switch with a ball-point pen or any other pointed object.



Reset Switch

Attaching the Front Panel

- 1 First, insert the right side of the front panel into the main unit. Align the groove on the front panel with the projection on the main unit.
- 2 Push the left side of the front panel until it locks firmly into the main unit.



NOTE

Before attaching the front panel, make sure that there is no dirt or dust on the connector terminals and no foreign object between the front panel and the main unit.

Turning Power On and Off

- 1 Press the **PWR** (Power) button to turn on the unit.

NOTE

The unit can be turned on by pressing any other button except the eject \blacktriangle button.

The volume level gradually increases to the previous level you were listening to before the unit was turned off.

Press the PWR button again to turn off the unit.

NOTE

When the power is turned on for the very first time after the unit is connected to the vehicle's battery, the unit produces sound with the volume level 12, loudness on in the tuner mode.

Non Fading Pre-out (N.F.P.) On and Off (TDM-7577R/TDM-7576R only)

- 1 Press and hold the **Eject** (\blacktriangle) button for at least 3 seconds.
With each press, N.F.P. is toggled On or Off.

N.F.P. ON:

In this position, the Pre-Output on the TDM-7577R/TDM-7576R will not be affected by the fader. This is ideal for driving a subwoofer amplifier.

N.F.P. OFF:

Returns to normal fader mode.

NOTES

- Initial mode is N.F.P. OFF.
- Set the N.F.P. to OFF unless the subwoofer is used.

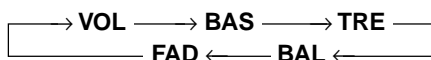
Adjusting Source Signal Levels

If the difference in volume level between the tape player and FM radio is too great, adjust the FM signal level as follows.

- 1 Press and hold the **INTLZ** button for at least 3 seconds.
- 2 Press the **Preset 1** button to select the FM signal level HI (High) or LO (Low) to make the signal levels between the FM band and tape player closer.
Each press toggles between FM-LV HI and FM-LV LO.
- 3 Press the **INTLZ** button to cancel the adjusting mode.

Adjusting Volume/Bass/Treble/Balance (Between Left and Right Channels)/Fader (Between Front and Rear Speakers)

- 1 Press the **MODE** button repeatedly to choose the desired mode.
Each press changes the modes as follows:



NOTE

If the \wedge or \vee button is not pressed in 5 seconds after selecting the BASS, TREBLE, BALANCE and FADER modes, the unit automatically sets in the VOLUME mode.

- 2 Press the \wedge and \vee buttons until the desired sound is obtained in each mode.

NOTE

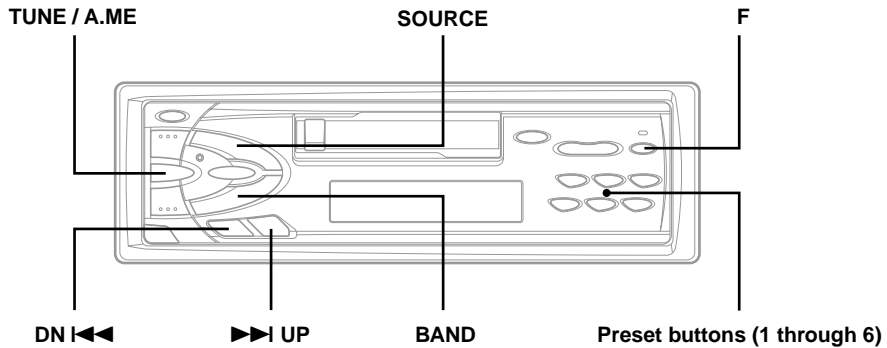
The settings of the Bass and Treble will be individually memorized for each source (FM, MW, LW and tape) until the setting is changed.

Depending on the connected devices, some functions and display indications do not work.

Turning Loudness On/Off

- 1 Press and hold the **LOUD** button for at least 2 seconds to activate or deactivate the loudness mode. The display shows "LD" when the loudness mode is activated.

Radio Operation



Manual Tuning

1 Press the **SOURCE** button until radio frequency appears in the display.

2 Press the **BAND** button repeatedly until the desired radio band is displayed. Each press changes the radio bands as follows:

→ **F1** → **F2** → **MW** → **LW** →

3 Press the **TUNE** button repeatedly until "DX SEEK" and "SEEK" disappears from the display.

NOTE

The initial mode is DX-SEEK.

4 Press the **DN I◀◀** or **▶▶ UP** button to move downward or upward one step respectively until the desired station frequency is displayed.

NOTE

The *ST* indicator appears on the display when a Stereo FM station is tuned in. If the stereo FM signal becomes weak, the *ST* indicator disappears from the display and the unit automatically switches the mode from stereo to monaural to reduce the noise. When the signal becomes strong enough, the unit automatically switches back to the stereo mode.

Automatic Seek Tuning

1 Press the **SOURCE** button until radio frequency appears in the display.

2 Press the **BAND** button repeatedly until the desired radio band is displayed. Each press changes the radio bands as follows:

→ **F1** → **F2** → **MW** → **LW** →

3 Press the **TUNE** button to illuminate the DX and SEEK indicators in the display. With the DX mode activated, both strong and weak stations will be tuned in the Auto-Seek operation. Press again to return to the local mode. The DX indicator will turn off and the SEEK indicator will remain illuminated. Now, only strong stations will be tuned.

4 Press the **DN I◀◀** or **▶▶ UP** button to automatically seek a station downward or upward respectively. When the unit finds a station, the unit stops at that station. Press the same button again to seek the next station.

Manual Storing of Station Presets

1 Select the radio band and tune in a desired radio station you wish to store in the preset memory.

2 Make sure that the function indicator at the top side of the "F" button illuminates, then press and hold any one of the **preset buttons (1 through 6)** for at least 2 seconds until the station frequency on the display blinks.

3 Press the **preset** button into which you wish to store the station while the frequency display is blinking (within 5 seconds). The display changes from blinking to steady lighting indicating that the station has been memorized. The display shows the band, preset No. with a triangle (△) and station frequency memorized.

- 4** Repeat the procedure to store up to 5 other stations onto the same band.
To use this procedure for other bands, simply select the band desired and repeat the procedure.

A total of 24 stations can be stored in the preset memory (6 stations for each band; FM1, FM2, MW and LW).

NOTE

If a preset memory has already been set in the same preset location, it will be cleared and the new station will be memorized.

Automatic Memory of Station Presets

- 1** Press the **SOURCE** button until the frequency appears in the display.
- 2** Press the **BAND** button until the desired radio band appears in the display.
Each press changes the radio bands as follows:

→ F1 → F2 → MW → LW →

- 3** Press and hold the **A. ME.** button for at least 2 seconds.
The frequency on the display continues to change while the automatic memory is in process.
The tuner will automatically seek and store 6 strong stations in the selected band in order of signal strength.
When the automatic memory has been completed, the tuner goes to the station stored in the preset location No. 1.

NOTE

If no stations are stored, the tuner will return to the original station you were listening to before the auto memory procedure began.

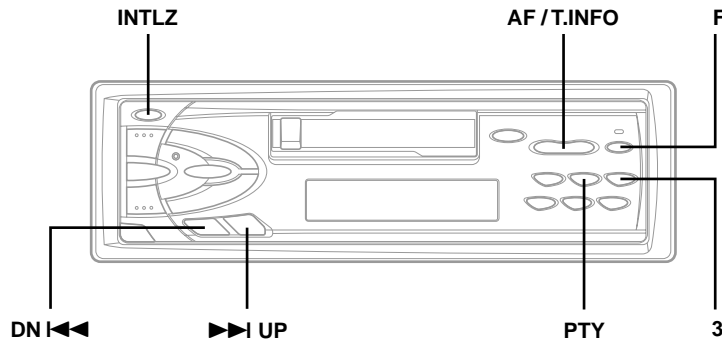
Tuning to Preset Stations

- 1** Press the **SOURCE** button until the frequency appears in the display.
- 2** Press the **BAND** button repeatedly until the desired band is displayed.
Each press changes the radio bands as follows:

→ F1 → F2 → MW → LW →

- 3** Make sure that the function indicator at the top side of the "F" button illuminates, then press the station **preset** button that has your desired radio station in memory.
The display shows the band, preset number with a triangle and frequency of the station selected.

RDS Operation



Setting RDS Reception Mode and Receiving RDS Stations

The RDS (Radio Data System) is a radio information system using the 57 kHz subcarrier of regular FM broadcast. The RDS allows you to receive a variety of information such as traffic information, station names, and to automatically re-tune to a stronger transmitter that is broadcasting the same programme.

- 1 Press the **AF** button to activate the RDS mode. The display shows "AF" when the RDS mode is activated.
- 2 Press the **DN I<<<** or **>>> UP** button to tune in the desired RDS station.

NOTE

When the **BAND** button is pressed and held for more than 2 seconds while a station name is displayed, the display shows the station frequency for 5 seconds.

When the RDS station signal received has become weak:

- **AF seek mode**, press and hold the AF button for at least 2 seconds to have the unit automatically seek for a stronger station in the AF list.

If there is no AF station, the display shows "SEEK END."

- 3 Press the **AF** button to deactivate the RDS mode.

Tips

The RDS digital data includes the followings:

PI	Programme Identification
PS	Programme Service Name
AF	List of Alternative Frequencies
TP	Traffic Programme
TA	Traffic Announcement
PTY	Programme Type
EON	Enhanced Other Networks

Recalling Preset RDS Stations

- 1 Press the **AF** button to activate the RDS mode. The display shows "AF" when the RDS mode is activated.
- 2 Make sure that the function indicator at the top side of the "F" button illuminates, then press the **preset location** button in which your desired RDS station is preset. If the preset station's signal is weak, the unit automatically searches and tunes to a stronger station in the AF (Alternative Frequencies) list.
- 3 If the preset station and the stations in the AF list cannot be received: The unit searches again for a station in the PI (Programme Identification) list. If there are still no stations receivable in the area, the unit displays the frequency of the preset station and the preset indicator disappears. If the signal level of the Regional (Local) station being tuned becomes too weak to receive, press the same preset location button to tune in a Regional station in other district.

NOTE

For presetting the RDS stations, refer to the Radio Operations section. The RDS stations can be preset in the F1 and F2 bands only.

Turning Emergency Alarm On or Off

- 1 Press and hold the **INTLZ** button for at least 3 seconds.
- 2 Press the **Preset 3** button repeatedly to select the **PTY31 ON** or **PTY31 OFF** mode. In the **PTY31 ON** mode, the unit will make an emergency announcement when the unit receives the **PTY31** (Emergency Broadcast) signal.
- 3 Press the **INTLZ** button to activate the selected mode.

Receiving Traffic Information

- 1 Press the **T.INFO** button to activate the Traffic Information mode. The display shows "T-INFO" when the Traffic Information mode is activated.
- 2 Press the **DN I◀◀** or **▶▶ UP** button to select your desired traffic information station. When a traffic information station is tuned in, the TP indicator lights up.

Traffic information is heard only when it is being broadcast. If traffic information is not being broadcast, the unit is set in the standby mode. When a traffic information broadcast begins, the unit automatically receives it and the display shows "TRF-INFO" for 5 seconds and returns to the PS display.

When traffic information broadcast is over, the unit will automatically set in the standby mode.

NOTES

- If the traffic information broadcast signal falls below a certain level, the unit remains in the receiving mode for 1 minute. If the signal remains below a certain level for over 1 minute, the unit produces an alarming sound.
- If you do not want to listen to the traffic information being received, lightly press the **T. INFO** button to skip that traffic information message. The **T. INFO** mode will remain in the **ON** position to receive the next traffic information message.
- If the volume level is changed while receiving traffic information, the changed volume level will be memorized. When traffic information is received next time, the volume level will be automatically adjusted to the level memorized.

PTY (Programme Type) Tuning

- 1 Press the **"F"** button. The function indicator at the top side of the **"F"** button will turn off.
- 2 Press the **PTY** button to activate the **PTY** mode. The Programme Type of the station being currently received will be displayed for 5 seconds.
 - If there is no receivable **PTY** broadcast, "NO **PTY**" will be displayed for 5 seconds.
 - If no **RDS** station can be received, the display shows "NO **RDS**."

NOTE

If no button is pressed within 5 seconds after pressing the **PTY** button, the **PTY** mode will be automatically cancelled.

- 3 Press the **DN I◀◀** and **▶▶ UP** buttons within 5 seconds after activating the **PTY** mode to choose the desired programme type while the **PTY** (programme type) is being displayed. Each press scrolls the programme type by one.

↔ **LIGHT M** ← **CLASSICS** → **OTHER M** →
┌-----┐

- 4 Press the **PTY** button within 5 seconds after selecting the programme type to start searching for a station in the selected programme type. The chosen programme type indicator blinks during searching and lights when a station is found.

If no station is found, "NO **PTY**" will be displayed for 5 seconds.

- 5 Press the **"F"** button to activate the normal mode. The function indicator at the top side of the **"F"** button will illuminate.

Receiving Traffic Information While Playing Tape or Radio

- 1 Press the **T.INFO** button repeatedly until the **T.INFO** indicator appears in the display.
- 2 Press the **DN I◀◀** and **▶▶ UP** buttons to select a traffic information station if necessary.
 - When a traffic information broadcast starts, the unit automatically mutes the tape player or the regular FM broadcast.
 - When the traffic information broadcast finishes, the unit automatically returns to the original source play before the traffic information broadcast began.

When traffic information stations cannot be received:

In the tuner mode:

When the TP signal can no longer be received, an alarm will be sounded after 1 minute.

In the Tape mode:

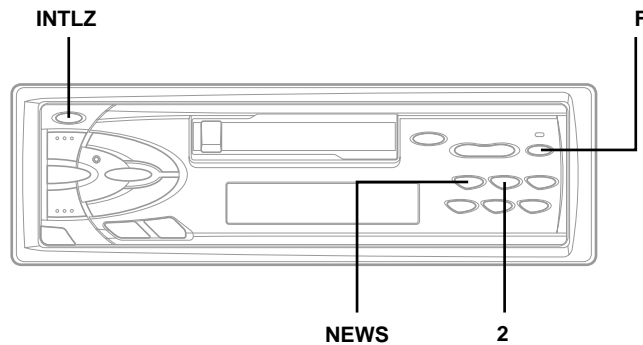
When the TP signal can no longer be received, the traffic information station of another frequency will be selected automatically.

NOTE

The receiver is equipped with the **EON** (Enhanced Other Networks) function in order to keep track of additional alternative frequencies to the **AF** list. The **EON** indicator appears while an **RDS EON** station is being received. If the station being received does not broadcast the traffic information, the receiver automatically tunes in the related station that broadcasts the traffic information when it occurs.

- 3 Press the **T.INFO** button to deactivate the Traffic Information mode. The **T.INFO** indicator disappears.

RDS Operation



Priority News

This function allows you to preset to give priority to the News programme. You will never miss the News programme as the unit automatically gives priority to the News programme whenever it begins broadcasting, and interrupts the programme you are currently listening. This feature is functional when your unit is set to a mode other than the LW and MW modes.

- 1** Press the "F" button.
The function indicator at the top side of the "F" button will turn off.
- 2** Press the **NEWS** button to activate the PRIORITY NEWS mode.
"NEWS" lights up in the display.
 - To disable the PRIORITY NEWS function, press the NEWS button.

NOTE

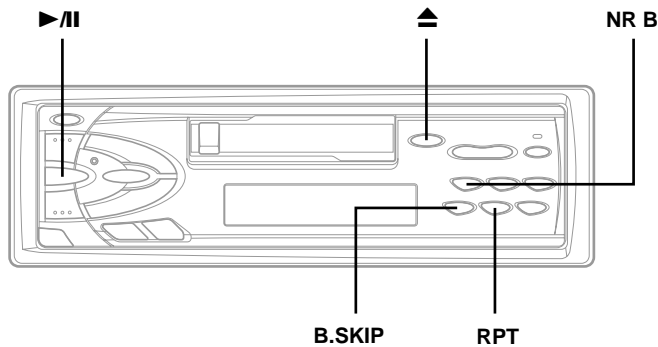
In the PRIORITY NEWS function, unlike in the T.INFO function, the volume does not increase automatically.

- 3** Press the "F" button to activate the normal mode.
The function indicator at the top side of the "F" button will illuminate.

Receiving RDS Regional (Local) Stations

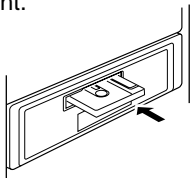
- 1** Press and hold the **INTLZ** button for at least 3 seconds to activate the setting mode.
- 2** Press the **preset 2** button to turn on or off the REG (Regional) mode.
In the REG OFF mode, the unit automatically keeps receiving the related local RDS station.
- 3** Press the **INTLZ** button to deactivate the setting mode.

Cassette Player Operation



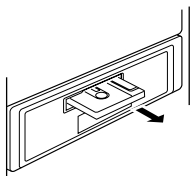
Inserting/Ejecting Cassette

- 1 Insert a cassette tape into the slot with the open side facing right.



When the cassette is loaded, the player automatically starts tape playback and indicates "TAPE" in the display.

- 2 Press the **Eject** (▲) button when you want to eject the cassette tape.



NOTES

- When power is turned off or the front panel is removed, the full-logic mechanism will automatically switch to the PAUSE mode. This protects the tape from being deformed by the pinch-rollers if left for long periods.
- **Auto Metal**
When a metal cassette tape is inserted, the player automatically adjusts to the equalization for metal or any other high bias tape for optimum sound. The display shows "MTL."

Normal Play and Pause

- 1 Insert a cassette (or press the source button to switch from the tuner or CD Changer mode if a cassette is already inside the tape player). The player begins playback. The display shows "TAPE" and "△" or "▽" during tape playback to show the tape side being played. When the end of the tape is reached, the unit automatically stops and reverses the tape to play the other side of the tape.

- 2 Press the >|| button to pause the tape playback. The display shows "PAUSE." Press again to resume the tape playback.
- 3 Press the **Eject** (▲) button to stop the tape play and eject the cassette. The tape-direction indicator disappears.

Dolby B NR (Noise Reduction) (TDM-7577R/TDM-7576R only)

- 1 After inserting a Dolby B NR encoded tape, press the **NR B** button. The display shows the "NR B." The tape noise is reduced in the Dolby NR mode when a Dolby B NR encoded tape is played. Press the NR B button to cancel the Dolby NR mode.

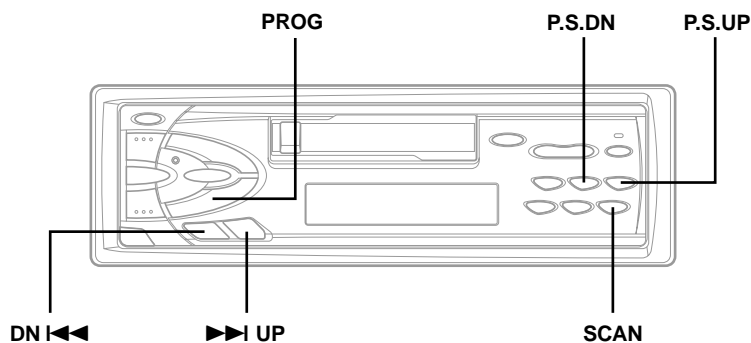
Repeat Play

- 1 Press the **RPT** button to play back repeatedly the current programme being played. The RPT indicator appears and the programme will be played repeatedly. Press the RPT button to stop the repeat play. The RPT indicator disappears.

Blank Skip (B.SKIP)

- 1 Press the **B.SKIP** button during tape play to skip over blank portions of the tape lasting 15 seconds or longer, "B.S." appears on the display. Press the B.SKIP button to cancel the blank skip mode. "B.S." disappears from the display.

Cassette Player Operation



Fast Forward and Rewind

- 1 Press the **DN I<<<** or **>>> I UP** button during tape play to fast rewind or forward the tape respectively.
The tape side indicator (\triangleleft or \triangleright) blinks and \gg or \ll moves indicating the direction of the tape. When the end of the tape is reached in the rewind mode, the player stops automatically and begins playing from the beginning of the same side. When the end of the tape is reached in the fast forward mode, the player stops automatically and begins playing from the beginning of the opposite side.
- 2 Press the **>>> I UP** button during forwarding to stop fast forwarding and resume tape play. Press the **DN I<<<** button during rewinding to stop rewinding and resume tape play. The tape side indicator stops blinking.

Scanning Programmes

- 1 Press the **SCAN** button to play the first 10 seconds of each programme on the tape. "SCAN" appears on the display.
Press the SCAN button to cancel the scanning when the desired programme is found.

NOTE

The SCAN operation cannot detect blank sections of less than 4 seconds.

Manual Reverse

- 1 Press the **PROG** button during tape play to change the tape direction to play the other side of the tape.
The tape side indicators (\triangleleft and \triangleright) change to show which side of the cassette is being played.

Programme Sensor (P.S.)

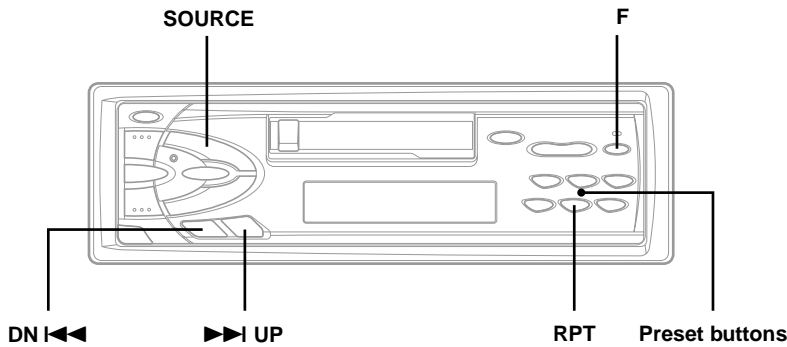
- 1 Press the **P.S. DN** button once during tape play to return to the beginning of the current selection being played.
If you wish to return to a selection further back, press repeatedly until the number of selections you would like to skip is shown in the display. The display will show PS-1 with the first press and will increase by one with each successive press up to PS-9. The tape indicator will blink showing the direction of your search.

Press the **P.S. UP** button once during tape play to advance to the beginning of the next selection. If you wish to advance to a selection further ahead, press repeatedly until the number of selections you would like to skip is shown in the display. The display will show PS+1 with the first press and will increase with each successive press up to PS+9. The tape indicator will blink showing the direction of your search during searching operation.

NOTES

- The programme sensor feature is functional in the tape play mode only.
- You can advance to the 9th (max.) programme or return to the 8th (max.) programme.

CD Changer Operation



Controlling CD Changer (Optional)

If an optional Alpine 6-disc CD Changer (M-Bus) is connected to the 8-pin DIN connector of the TDM-7577R/TDM-7576R/TDM-7575R/TDM-7574R, you can control the CD Changer using the TDM-7577R/TDM-7576R/TDM-7575R/TDM-7574R.

NOTE

The CD controls on the TDM-7577R/TDM-7576R/TDM-7575R/TDM-7574R for the CD operation are functional only when the CD Changer is interconnected with the TDM-7577R/TDM-7576R/TDM-7575R/TDM-7574R.

- 1 Press the **SOURCE** button to activate the CD Changer.
The display shows the disc number and track number.

NOTE

To start play or pause play, press the ►|| button.

- 2 Make sure that the Function indicator illuminates, then press the **Preset buttons** to select the desired disc loaded in the CD Changer.

Music Sensor (M.S.) Skip

- 1 Press the **DN I<<<** button once to return to the beginning of the current track.
If you wish to return to the beginning of a track further back, repeatedly press until you reach the desired track.

Press the **>>> UP** button once to advance to the beginning of the next track.

If you wish to advance to a track further ahead, press repeatedly until the desired track is reached.

NOTE

The music sensor feature is functional in the play or pause mode.

Fast Forward and Backward

- 1 Press and hold the **DN I<<<** or **>>> UP** button to quickly move backward or forward respectively until you reach the desired portion.

NOTE

This feature works only in the CD playback mode.

Repeat Play on Single Track or Entire Disc

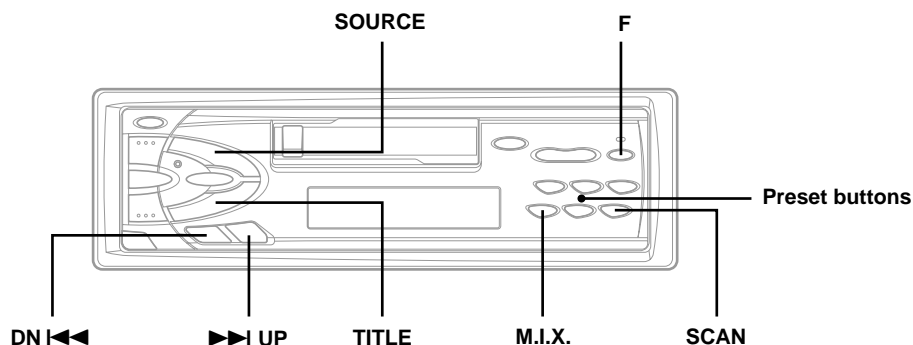
- 1 Press the **"F"** (Function) button.
The function indicator at the top side of the "F" button will turn off.
- 2 Press the **RPT** (Repeat) button to display "RPT" or "RPT ALL" to play back repeatedly the track being currently played or the entire disc selected.

NOTE

Single track cannot be repeated during M.I.X. play.

- 3 Press the **"F"** button to activate the normal mode.
The function indicator at the top side of the "F" button will illuminate.

CD Changer Operation



M.I.X. (Random) Play

- 1 Press "F" button.
The function indicator at the top side of the "F" button will turn off.
- 2 Press the **M.I.X.** button while the CD is playing or in the Pause mode.
The M.I.X. indicator will appear in the display.
The tracks on the disc will be played back in a random sequence.
After all the tracks on the disc have been played back, the player loads the next disc and begins a new random sequence.

Random play continues until the M.I.X. mode is cancelled.

Press the **M.I.X.** button again to cancel the M.I.X. mode.
The M.I.X. indicator will disappear from the display.
- 3 Press the "F" button to activate the normal mode.
The function indicator at the top side of the "F" button will illuminate.

Disc Scan

- 1 Press the "F" button.
The function indicator at the top side of the "F" button will turn off.
- 2 Press the **SCAN** button to play the first 10 seconds of each track on the disc.
The display shows the disc number, "SCAN", and track number being played during scan play.

Press to the **SCAN** button to cancel scan play and resume normal play.
- 3 Press the "F" button to activate the normal mode.
The function indicator at the top side of the "F" button will illuminate.

To Display CD Titles (TDM-7577R/TDM-7576R only)

Titles can be displayed for the CDs with titles entered.
(Refer to page 15 to title discs.)

- 1 Press the **TITLE** button in the CD mode.
The display will be switched each time the switch is pressed.

Titling Discs (TDM-7577R/ TDM-7576R only)

- 1** Press the **TITLE** button to select the disc title display mode. (Refer to page 14.)
- 2** Make sure that the function indicator at the top side of the "F" button illuminates, then press the **Preset buttons** to select the desired disc to be titled.
- 3** Press and hold the **TITLE** button for at least 3 seconds.
The first digit blinks.
- 4** Press the **DN** ◀◀ or ▶▶ **UP** button repeatedly to select the desired letter/numeral/symbol available for naming.
- 5** Press the **TITLE** button to store the first character.
The first character will stop blinking and the display will automatically advance to the next digit. When that digit begins to blink, you may choose the next letter or symbol of your title.
- 6** Repeat the steps 4 and 5 above to complete the titling. Entering the eighth character, automatically stores the title into memory.

When entering a title of less than 8 characters (for example, 3 character title):
After entering 3 characters to complete your title, the 4th character space will be blinking. Go to step 7 to complete the title.
- 7** Press and hold the **TITLE** button for at least 3 seconds to record the title.

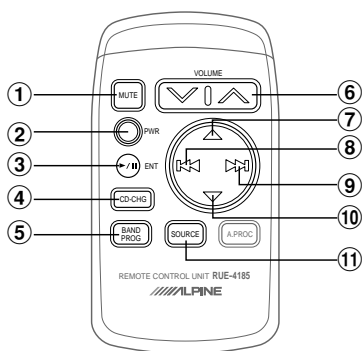
NOTES

- When the memory capacity for the disc titles is used up, the display shows "FULL DATA" to indicate that no more title can be memorized.
- When you want to erase a title, enter the " " symbol into all spaces.

Erasing Disc Title (TDM-7577R/ TDM-7576R only)

- 1** Press the **TITLE** button to select the disc titling mode. Then press and hold it for at least 3 seconds.
- 2** Press and hold the **SOURCE** button for at least 3 seconds to activate the title erasing mode.
The disc title in the display will blink.
- 3** Press the **DN** ◀◀ or ▶▶ **UP** button repeatedly until the disc title you want to erase is displayed.
- 4** Press and hold the **SOURCE** button for at least 3 seconds to erase the disc title displayed.
- 5** Press and hold the **TITLE** button for at least 3 seconds to cancel the disc title erasing mode.

Remote Control Operation



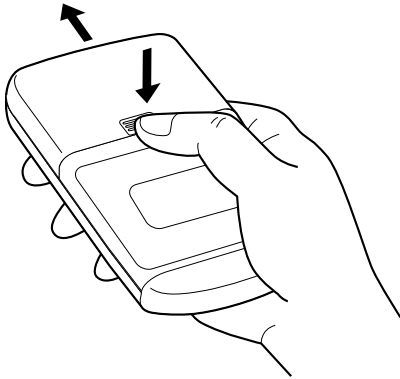
Controls on Remote Control (TDM-7577R/TDM-7576R only)

- ① **Mute Button**
Press the button to lower the volume by 20 dB instantly. Press the button again to cancel.
- ② **Power Switch**
Press the switch to turn the power on/off.
- ③ **▶/|| Button**
Press the button to switch between the Play and Pause modes for CD.
- ④ **CD Changer Button**
Press the button to change to the CD changer operation.
- ⑤ **Band/Programme Button**
Radio mode: BAND Button
Press the button and the band will change as shown below.
→ **F1** → **F2** → **MW** → **LW** →
- ⑥ **Volume Adjustment Buttons**
To increase the volume level:
Press the **▲** button
To decrease the volume level:
Press the **▼** button
- ⑦ **▲ Button**
Radio mode: Pressing the button will select, in ascending order, stations programmed into the radio's presets as shown below.
→ **1** → **2** ... **6** →
- ⑧ **◀◀ Button**
Radio mode: SEEK (DN) Button
CD mode: Press the button to go back to the beginning of the current track.
- ⑨ **▶▶ Button**
Radio mode: SEEK (UP) Button
CD mode: Press the button to advance to the beginning of the next track.
- ⑩ **▼ Button**
Radio mode: Pressing the button will select, in descending order, stations programmed into the radio's presets as shown below.
→ **6** → **5** ... **1** →
CD Changer mode: DISC Select (DN) Button
Press the button to select a disc in descending order.
- ⑪ **Source Button**
Press to select the audio source.

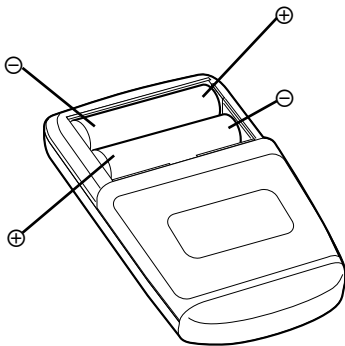
Battery Replacement

Applicable battery: Use two "AAA" sized dry batteries or equivalent.

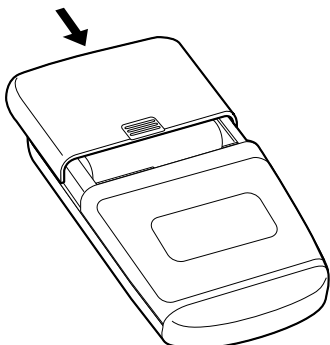
- 1** Opening the battery cover
Slide out the battery cover while firmly pressing outward.



- 2** Replacing the battery
Put the batteries in the case observing the polarities as illustrated.



- 3** Closing the cover
Push the cover as illustrated until a click is heard.



Information

In Case of Difficulty

If you encounter a problem, please review the items in the following checklist. This guide will help you isolate the problem if the unit is at fault. Otherwise, make sure the rest of your system is properly connected or consult your authorized Alpine dealer.

Basic

No function or display.

- Vehicle's ignition is off.
 - If connected following instructions, the unit will not operate with the vehicle's ignition off.
 - Improper power lead connections.
 - Check power lead connections.
 - Blown fuse.
 - Check the fuse on the battery lead of the unit; replace with the proper value if necessary.
 - Internal micro-computer malfunctioned due to interference noise etc.
 - Press the Reset button with a ball-point pen or other pointed article.
-

Radio

Unable to receive stations.

- No antenna or open connection in cable.
 - Make sure the antenna is properly connected; replace the antenna or cable if necessary.

Unable to tune stations in the seek mode.

- You are in a weak signal area.
 - Make sure the tuner is in the DX mode.
- If the area you are in is a primary signal area, the antenna may not be grounded and connected properly.
 - Check your antenna connections; make sure the antenna is properly grounded at its mounting location.
- The antenna may not be the proper length.
 - Make sure the antenna is fully extended; if broken, replace the antenna with a new one.

Broadcast is noisy.

- The antenna is not the proper length.
 - Extend the antenna fully; replace it if it is broken.
 - The antenna is poorly grounded.
 - Make sure the antenna is grounded properly at its mounting location.
-

Cassette

Tape playback sounds dull.

- The tape head needs cleaning.
 - Clean the tape head.
 - Incorrect Dolby NR in use (TDM-7577R/TDM-7576R only).
 - Check Dolby NR switch setting.
-

CD

CD Changer not functioning.

- Out of operating temperature range +50°C (+120°F) for CD.
 - Allow the vehicle's interior (or trunk) temperature to cool.

CD playback sound is wavering.

- Moisture condensation in the CD Module.
 - Allow enough time for the condensation to evaporate (about 1 hour).

Unable to fast forward or backward the CD.

- The CD has been damaged.
 - Eject the CD and discard it; using a damaged CD in your unit can cause damage to the mechanism.

CD playback sound skips due to vibration.

- Improper mounting of the CD Changer.
 - Securely re-mount the CD Changer.
- Disc is very dirty.
 - Clean the disc.
- Disc has scratches.
 - Change the disc.

CD playback sound skips without vibration.

- Dirty or scratched disc.
 - Clean the disc; damaged discs should be replaced.

Single (8 cm) disc does not play.

- Single CD adaptor is not used.
 - Attach a single CD adaptor (recommended by Alpine) to the single disc and insert into the CD magazine.
-

Indication for CD Changer

HI TEMP

- Protective circuit is activated due to high temperature.
 - The indicator will disappear when the temperature returns to within operation range.
-

ERROR - 01

- Malfunction in the CD Changer.
 - Consult your Alpine dealer. Press the magazine eject button and pull out the magazine. Check the indication. Insert the magazine again. If the magazine cannot be pulled out, consult your Alpine dealer.
 - Magazine ejection not possible.
 - Press the magazine eject button. If the magazine does not eject, consult your Alpine dealer.
-

ERROR - 02

- A disc is left inside the CD Changer.
 - Press the Eject button to activate the eject function. When the CD Changer finishes the eject function, insert an empty CD magazine into the CD Changer to receive the disc left inside the CD Changer.
-

NO MAGZN

- No magazine is loaded into the CD Changer.
 - Insert a magazine.
-

NO DISC

- No indicated disc.
 - Choose another disc.
-

Specifications

FM TUNER SECTION

Tuning Range	87.5 – 108.0 MHz
Mono Usable Sensitivity	0.7 μ V
50 dB Quieting Sensitivity	1.1 μ V
Alternate Channel Selectivity	80 dB
Signal-to-Noise Ratio	65 dB
Stereo Separation	35 dB

MW TUNER SECTION

Tuning Range	531 – 1,602 kHz
Sensitivity (IEC Standard)	25.1 μ V/28 dB

LW TUNER SECTION

Tuning Range	153 – 281 kHz
Sensitivity (IEC Standard)	31.6 μ V/30 dB

TAPE PLAYER SECTION

Tape Speed	1-7/8 ips (4.8 cm/sec) \pm 0.7%
Wow & Flutter	0.06% WRMS
Signal-to-Noise Ratio	
With Dolby B-TYPE NR	
(TDM-7577R/	
TDM-7576R only)	68 dB
Without Dolby NR	60 dB
Frequency Response	
With Alpine Test Tape	30–20,000 Hz

REMOTE CONTROL

(TDM-7577R/TDM-7576R only)

Battery Type	AAA batteries (2 pcs.)
--------------	------------------------

REMOTE CONTROL SIZE

(TDM-7577R/TDM-7576R only)

Width	56 mm (2-1/4")
Height	14 mm (9/16")
Depth	105 mm (4-1/8")
Weight	50 g (1.8 oz)

GENERAL

Power Requirement	14.4 V DC (11–16 V allowable)
Maximum Power Output*	40 W \times 4
Maximum Pre-Output Voltage	2 V/10k ohms
Bass	\pm 15 dB at 30 Hz
Treble	\pm 10 dB at 10 kHz
Weight	1.4 kg (3 lbs. 1 oz)

CHASSIS SIZE

Width	178 mm (7")
Height	50 mm (2")
Depth	155 mm (6-1/8")

NOSEPIECE SIZE

Width	170 mm (6-3/4")
Height	46 mm (1-13/16")
Depth	19 mm (3/4")

* Under maximum operating voltage and input signal, into 4 ohms.

Due to continuous product improvement, specifications and design are subject to change without notice.

Installation and Connections

Before installing or connecting the unit, please read the following and pages 2 and 3 of this manual thoroughly for proper use.

Precautions

- Be sure to disconnect the negative cable from the (–) pole of the battery before connecting your TDM-7577R/TDM-7576R/TDM-7575R/TDM-7574R to avoid short circuits.
- Use the correct ampere rating when replacing fuses. Failure to do so may result in fire or electric shock.
- Be sure to connect the leads correctly according to the diagram. Otherwise malfunctioning of the unit and/or damage to the vehicle may occur.
- Be sure to connect the speaker (–) leads to the speaker (–) terminal. Never connect left and right channel speaker cables to each other or to the vehicle body.
- Use only vehicles with a 12 volt negative (–) ground. Check with your dealer if you are not sure. Failure to do so may result in fire or electric shock.
- You must be very careful when connecting wires to the vehicle's electrical system. Be sure you do not use leads of factory installed components (like an on-board computer). When connecting TDM-7577R/TDM-7576R/TDM-7575R/TDM-7574R to the fuse box, make sure the fuse for the intended circuit of the TDM-7577R/TDM-7576R/TDM-7575R/TDM-7574R has the appropriate amperage. Failure to do so may result in damage to the unit and/or the vehicle. When in doubt, consult your ALPINE dealer.
- The TDM-7577R/TDM-7576R/TDM-7575R/TDM-7574R uses female RCA-type jacks for connection to other units (e.g. amplifier) having RCA connections. You may need an adaptor to connect other units. If so, please contact your authorized ALPINE dealer for assistance.

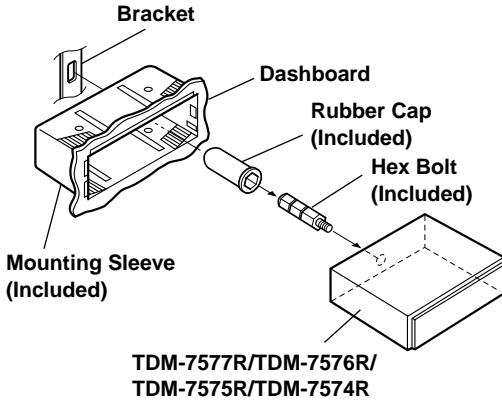
IMPORTANT

Please record the serial number of your unit in the space provided below and keep it as a permanent record. The serial number plate is located on the bottom of the unit.

SERIAL NUMBER: _____
INSTALLATION DATE: _____
INSTALLATION TECHNICIAN: _____
PLACE OF PURCHASE: _____

Installation

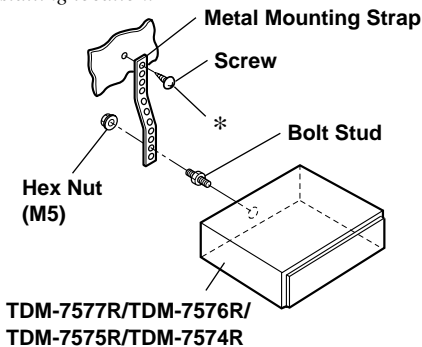
- 1 Remove the Detachable Front Panel (refer to page 4). Slide mounting sleeve from main unit. (See Removal Procedure) Slide the mounting sleeve into the dashboard.



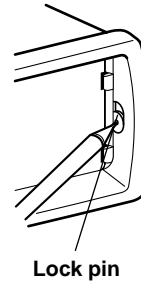
- 2 When your vehicle has the Bracket, mount the long hex bolt onto the rear panel of the TDM-7577R/TDM-7576R/TDM-7575R/TDM-7574R and put the Rubber Cap on the hex bolt. If your vehicle does not have the Mounting Support, reinforce the head unit with the metal mounting strap (not supplied). Connect all the leads of the TDM-7577R/TDM-7576R/TDM-7575R/TDM-7574R according to details described in the CONNECTIONS section.

NOTE:

For the screw *, provide a proper screw to the chassis installing location.



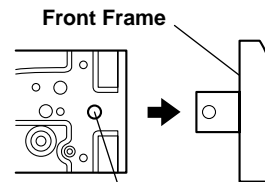
- 3 Slide the TDM-7577R/TDM-7576R/TDM-7575R/TDM-7574R into the dashboard. When the unit is in place, make sure the locking pins are fully seated in the down position. This can be done by pressing firmly in on the unit while pushing the locking pin down with a small screwdriver. This ensures that the unit is properly locked and will not accidentally come out from the dashboard. Install the Detachable Front Panel.



Removal

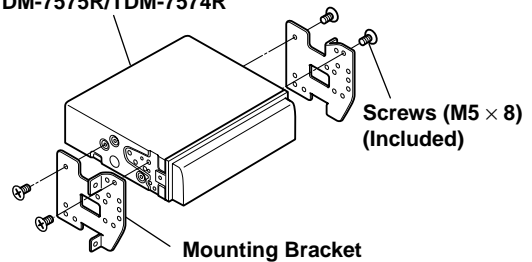
- 1 Remove the detachable front panel.
- 2 Use a small screwdriver (or similar tool) to push the locking pins to the "up" position (see above drawing). As each pin is unlocked, gently pull out on the unit to make sure it does not re-lock before unlocking the second pin.
- 3 Pull the unit out, keeping it unlocked as you do so.

<JAPANESE CAR>



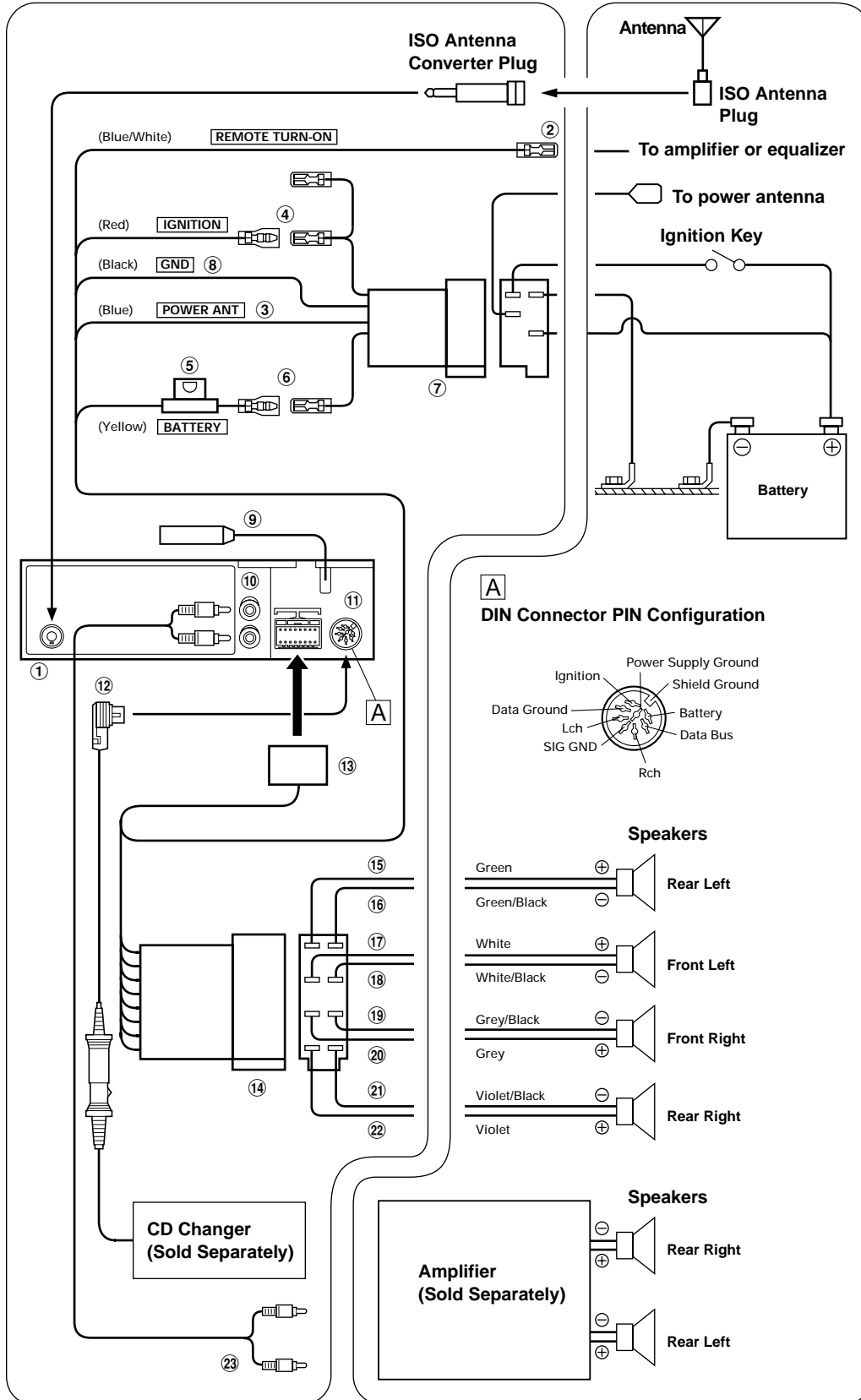
Detach the face plate by removing the screws.

TDM-7577R/TDM-7576R/
TDM-7575R/TDM-7574R



Installation and Connections

Connections



① **Antenna Receptacle**
Connect to the supplied ISO antenna convertor plug.

② **Remote Turn-On Lead (Blue/White)**
Connect this lead to the remote turn-on lead of your amplifier or signal processor.

③ **Power Antenna Lead (Blue)**
Connect this lead to the +B terminal of your power antenna, if applicable.

NOTE

This lead should be used only for controlling the vehicle's power antenna. Do not use this lead to turn on an amplifier or a signal processor, etc.

④ **Switched Power Lead (Ignition) (Red)**
Connect this lead to an open terminal on the vehicle's fuse box or another unused power source which provides (+) 12V only when the ignition is turned on or in the accessory position.

⑤ **Fuse Holder (15A)**

⑥ **Battery Lead (Yellow)**
Connect this lead to the positive (+) post of the vehicle's battery.

⑦ **ISO Power Supply Connector**

⑧ **Ground Lead (Black)**
Connect this lead to a good chassis ground on the vehicle. Make sure the connection is made to bare metal and is securely fastened using the sheet metal screw provided.

⑨ **Remote Control Interface Connector (TDM-7577R/TDM-7576R only)**

To remote control interface box.

⑩ **Rear Output RCA Connectors**
RED is right and WHITE is left.

⑪ **DIN Connector**
Connect this to the DIN connector on the CD Changer.

⑫ **DIN Extension Cable**

NOTE

Older Alpine CD Changer came with standard, straight type DIN connectors. In installations where an L-type connector would simplify installation, the Alpine 491002 Adaptor can be used (Sold Separately).

⑬ **Power Supply Connector**

⑭ **ISO Connector (Speaker Output)**

⑮ **Left Rear (+) Speaker Output Lead (Green)**

⑯ **Left Rear (-) Speaker Output Lead (Green/Black)**

⑰ **Left Front (+) Speaker Output Lead (White)**

⑱ **Left Front (-) Speaker Output Lead (White/Black)**

⑲ **Right Front (-) Speaker Output Lead (Grey/Black)**

⑳ **Right Front (+) Speaker Output Lead (Grey)**

㉑ **Right Rear (-) Speaker Output Lead (Violet/Black)**

㉒ **Right Rear (+) Speaker Output Lead (Violet)**

㉓ **RCA Extension Cable (Sold Separately)**

To prevent external noise from entering the audio system.

- Locate the unit and route the leads at least 10cm away from the car harness.
- Keep the battery power leads as far away from other leads as possible.
- Connect the ground lead securely to a bare metal spot (remove the coating if necessary) of the car chassis.
- If you add an optional noise suppressor, connect it as far away from the unit as possible. Your Alpine dealer carries various Alpine noise suppressors, contact them for further information.
- Your Alpine dealer knows best about noise prevention measures so consult your dealer for further information.