



## APPLICATION GUIDE GUIDE D'APPLICATION



**ALPINE ELECTRONICS, INC.**  
Tokyo Office : 1-1-8 Nishi Gotanda,  
Shinagawa-ku, Tokyo 141, Japan  
Tel. : (03) 3494-1101

**ALPINE ELECTRONICS OF AMERICA, INC.**  
19145 Gramercy Place, Torrance,  
California 90501 U.S.A.  
Tel. : 1-800-ALPINE-1 (1-800-257-4631)

**ALPINE ELECTRONICS OF CANADA, INC.**  
Suite 203, 7300 Warden Ave. Markham,  
Ontario L3R 9Z6, Canada  
Tel. : 1-800-ALPINE-1 (1-800-257-4631)

**ALPINE ELECTRONICS OF AUSTRALIA PTY. LTD.**  
6-8 Fiveways Boulevard  
Keysborough, Victoria 3173, Australia  
Tel. : (03) 9769-0000

**YONG WAH PRINTING SDN. BHD.**  
60, JALAN SERULING 58,  
TAMAN KLANG JAYA 41200  
KLANG, SELANGOR MALAYSIA

**ALPINE ELECTRONICS GmbH**  
Brandenburger Strasse 2-6 D-40880 Ratingen,  
Germany  
Tel. : 02102-45 50

**ALPINE ITALIA S.p.A.**  
Via C. Colombo 8, 20090 Trezzano Sul  
Naviglio MI, Italy  
Tel. : 02-48 40 16 24

**ALPINE ELECTRONICS FRANCE S.A.R.L.**  
(RCS PONTOISE B 338 101 280)  
98, Rue De La Belle Etoile, Z.I. Paris Nord II B.P. 50016  
F-95945, Roissy, Charles de Gaulle Cedex, France  
Tel. : 01-48 63 89 89

**ALPINE ELECTRONICS OF U.K., LTD.**  
13 Tanners Drive, Blakelands,  
Milton Keynes MK 14 5BU, U.K.  
Tel. : 01908-61 15 56

**ALPINE ELECTRONICS DE ESPAÑA, S.A.**  
Portal De Gamarra 36, Pabellón 32  
01013 Vitoria (Alava) - Apdo. 133, Spain  
Tel. : 34-45-283588

68P11199Y36-O  
Printed in MALAYSIA

### SWS-3049

12 Inch Subwoofer (4Ω)  
Haut-parleur de sous-graves de 30 cm (12 pouces) (4 ohms)

### SWS-2549

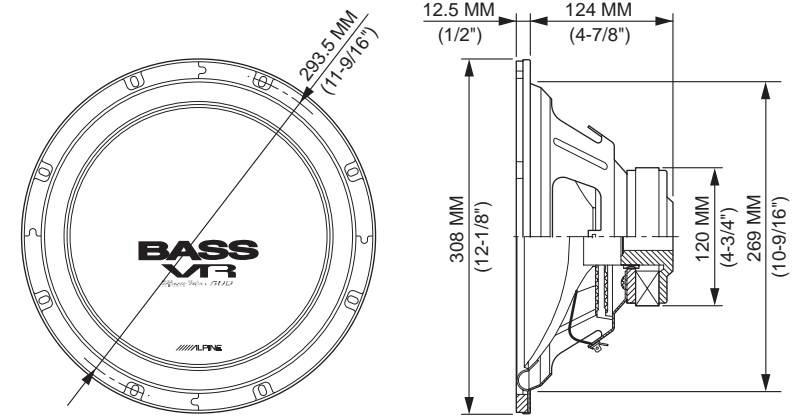
10 Inch Subwoofer (4Ω)  
Haut-parleur de sous-graves de 25 cm (10 pouces) (4 ohms)

## SPECIFICATIONS

MODEL	SWS-3049	SWS-2549
System (Impedance)	12" Subwoofer (4Ω)	10" Subwoofer (4Ω)
Power Handling (Continuous)	150W RMS	150W RMS
Frequency Response	Fs ~ 2kHz	Fs ~ 2kHz
Sensitivity*	89dB/W(1m)	88dB/W(1m)
D.C.Coil Resistance (Re)	3.9Ω	3.9Ω
Inductance (Le) 1kHz/20kHz	2.9mH/1.1mH	2.9mH/1.1mH
Free Air Resonance (Fs)	28Hz	31Hz
Equivalent Stiffness (Vas)	111.8 /	50.3 /
Qms/Qes/Qts	8.42/0.58/0.54	8.47/0.51/0.48
Excursion (X max, X peak)	2.5mm/15mm	2.5mm/15mm
Cone Area (Sd)	490.9cm <sup>2</sup>	346.4cm <sup>2</sup>
Diaphragm Material	Plastic Coated Non-pressed Kraft Pulp	Plastic Coated Non-pressed Kraft Pulp
Magnet Weight	30oz. Ferrite	30oz. Ferrite
Voice Coil Diameter	50mm	50mm
Driver's Physical Volume (Front Mt./Rear Mt.)	3.0 /3.9 /	2.4 /3.2 /
Sealed Box for Q=0.707 (Net internal volume, filled, loss Q=7, from LEAP)	123 / (4.34 cu. ft.)	45 / (1.59 cu. ft.)

\* This is a midrange value, and is meaningless for subwoofer operation.

SWS-3049



SWS-2549

