



EN

PXA-H700

MULTIMEDIA MANAGER™

DE

- **OWNER'S MANUAL**
Please read before using this equipment.
- **BEDIENUNGSANLEITUNG**
Lesen Sie diese Bedienungsanleitung bitte vor Gebrauch des Gerätes.
- **MODE D'EMPLOI**
Veuillez lire avant d'utiliser cet appareil.
- **MANUAL DE OPERACIÓN**
Léalo antes de utilizar este equipo.
- **ISTRUZIONI PER L'USO**
Si prega di leggere prima di utilizzare il attrezzatura.
- **ANVÄNDARHANDLEDNING**
Innan du använder utrustningen bör du läsa igenom denna användarhandledning.

FR



ES

IT

ALPINE ELECTRONICS, INC.

Tokyo office: 1-1-8 Nishi Gotanda,
Shinagawa-ku, Tokyo 141-8501, Japan
Tel.: (03) 3494-1101

ALPINE ELECTRONICS OF AMERICA, INC.

19145 Gramercy Place, Torrance,
California 90501, U.S.A.
Tel.: 1-800-ALPINE-1 (1-800-257-4631)

ALPINE ELECTRONICS OF CANADA, INC.

7300 Warden Ave., Suite 203, Markham,
Ontario L3R 9Z6, Canada
Tel.: 1-800-ALPINE-1 (1-800-257-4631)

ALPINE ELECTRONICS OF AUSTRALIA PTY. LTD.

6-8 Fiveways Boulevard Keysborough,
Victoria 3173, Australia
Tel.: (03) 9769-0000

ALPINE ELECTRONICS GmbH

Kreuzerkamp 7, 40878 Ratingen,
Germany
Tel.: 02102-45 50

ALPINE ITALIA S.p.A.

Viale C. Colombo 8,
20090 Trezzano Sul Naviglio (MI), Italy
Tel.: 02-48 47 81

ALPINE ELECTRONICS FRANCE S.A.R.L.

(RCS PONTOISE B 338 101 280)
98, Rue de la Belle Etoile, Z.I. Paris
Nord II, B.P. 50016, 95945, Roissy
Charles de Gaulle Cedex, France
Tel.: 01-48 63 89 89

ALPINE ELECTRONICS OF U.K., LTD.

13 Tanners Drive, Blakelands,
Milton Keynes MK14 5BU, U.K.
Tel.: 01908-61 15 56

ALPINE ELECTRONICS DE ESPAÑA, S.A.

Portal de Gamarra 36, Pabellón, 32
01013 Vitoria (Alava) - APDO 133,
Spain
Tel.: 945-283588

SE

Contents

Operating Instructions

WARNING

WARNING	2
CAUTION	2
PRECAUTIONS	3

Basic Operation

Turning the power on and off	4
About indicators	4
Operating the Rotary encoder	4
Setting the speakers	4
Using with Ai-NET connections	5
Using with RCA-type or optical cable connections (non Ai-NET connections)	5

Automatic Adjustments

Performing time correction automatically (Automated Time Correction)	6
---	---

Settings/Adjustments

Performing time correction manually (TCR)/Switching the phase	8
Bass Focus	10
Graphic equalizer adjustments	12
Parametric equalizer adjustments	13
X-OVER	15
X-OVER adjustment	16
MX settings	18
BASS COMP. setting	19

Using Dolby Surround

Using the Pro Logic II mode	20
Adjustment procedure for Dolby Surround	21
Speaker setup	22
Adjusting the speaker levels	22
Mixing bass sound to the rear channel	23
Adjusting the acoustic image	24
Achieving powerful high volume sound	25
Adjusting the DVD level	25

Convenient Functions

Navigation system voice guidance interruption	26
Linear PCM setting	26
Display settings	27
MX mode setting (Ai-NET connection)	27
Storing settings in the memory	28
Calling out stored values	28
Defeat mode	28
Switching the display mode	29
Switching the color of the illumination	29

Installation and Connections

Warning	30
Caution	30
Precautions	31
Accessories	32
Installation	33
Basic Connections Diagram	36
Examples of system expansion	37

Information

Terminology	41
-------------------	----

Others

In case of difficulty	42
Specifications	43

WARNING

WARNING

This symbol means important instructions. Failure to heed them can result in serious injury or death.

DO NOT OPERATE ANY FUNCTION THAT TAKES YOUR ATTENTION AWAY FROM SAFELY DRIVING YOUR VEHICLE.

Any function that requires your prolonged attention should only be performed after coming to a complete stop. Always stop the vehicle in a safe location before performing these functions. Failure to do so may result in an accident.

KEEP THE VOLUME AT A LEVEL WHERE YOU CAN STILL HEAR OUTSIDE NOISE WHILE DRIVING.

Failure to do so may result in an accident.

MINIMIZE DISPLAY VIEWING WHILE DRIVING.

Viewing the display may distract the driver from looking ahead of the vehicle and cause an accident.

DO NOT DISASSEMBLE OR ALTER.

Doing so may result in an accident, fire or electric shock.

USE THIS PRODUCT FOR MOBILE 12V APPLICATIONS.

Use for other than its designed application may result in fire, electric shock or other injury.

KEEP SMALL OBJECTS SUCH AS BATTERIES OUT OF THE REACH OF CHILDREN.

Swallowing them may result in serious injury. If swallowed, consult a physician immediately.

USE THE CORRECT AMPERE RATING WHEN REPLACING FUSES.

Failure to do so may result in fire or electric shock.

USE ONLY IN CARS WITH A 12 VOLT NEGATIVE GROUND.

(Check with your dealer if you are not sure.) Failure to do so may result in fire, etc.

DO NOT BLOCK VENTS OR RADIATOR PANELS.

Doing so may cause heat to build up inside and may result in fire.

CAUTION

This symbol means important instructions. Failure to heed them can result in injury or material property damage.

HALT USE IMMEDIATELY IF A PROBLEM APPEARS.

Failure to do so may cause personal injury or damage to the product. Return it to your authorized Alpine dealer or the nearest Alpine Service Center for repairing.

PRECAUTIONS

Temperature

Be sure the temperature inside the vehicle is between +60°C (+140°F) and -10°C (+14°F) before turning your unit on.

Installation Location

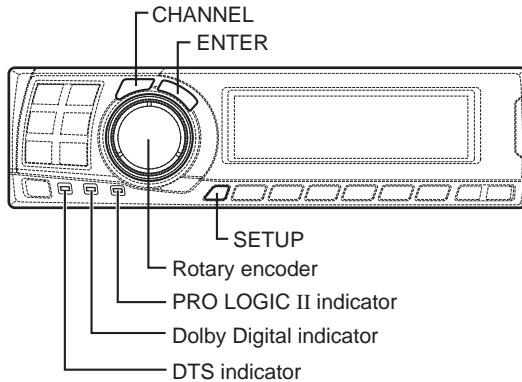
Make sure the PXA-H700 will not be installed in a location subjected to:

- Direct sun and heat
- High humidity and water
- Excessive dust
- Excessive vibrations

Maintenance

If you have problems, do not attempt to repair the unit yourself. Return it to your Alpine dealer or the nearest Alpine Service Station for servicing.

Basic Operation



Turning the power on and off

This unit does not have a power switch. The head unit to which the unit is connected, controls its power.

NOTE

When the power is turned ON for the first time, the **SETUP** mode is automatically activated.

About indicators

- **PRO LOGIC II indicator**
Lights green in the Dolby Surround decode mode
- **Dolby Digital indicator**
Lights green in the Dolby Digital decode mode
- **DTS indicator**
Lights green in the DTS decode mode

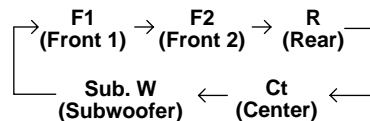
Operating the Rotary encoder

This unit uses the Rotary encoder when establishing settings or adjustments. When operating with the Rotary encoder, press the Rotary encoder and startup the Rotary encoder before the operation.

Setting the speakers

First make the speaker settings.
Turn off speaker channels that are not connected.

- 1 Press the **SETUP** button.
The setup mode is set.
- 2 Turn the **Rotary encoder** to select the "SPEAKER SELECT" mode, then press the **ENTER** button.
- 3 Press the **CHANNEL** button to select the speaker, then press the **ENTER** button.



- 4 Turn the **Rotary encoder** to set the speaker type ON or OFF, then press the **ENTER** button. Repeat steps 3 and 4 to set all unconnected speaker channels to "OFF".

F1 (Front 1) : Tw (Tweeter)/Full (Full Range)/OFF
F2 (Front 2) : Full (Full Range)/OFF
R (Rear) : ON/OFF
Ct (Center) : Center/Sub.W (Subwoofer)/OFF

NOTE

Set to "Subwoofer" when a subwoofer is connected to the center speaker output.

Sub.W (Subwoofer) : ON/OFF

* When Full (Full Range) is selected in F1 (Front 1), the confirmation message of Tweeter presence will be displayed next. Turn the **Rotary encoder** and select YES/NO, then press the **ENTER** button. Please set to protect the speakers.

- 5 Press the **SETUP** button repeatedly to quit the setup mode.

Using with Ai-NET connections

When Ai-NET connections are used, the volume, subwoofer, balance and fader are adjusted from the head unit (they cannot be adjusted from the PXA-H700). However, BASS and TREB can not be adjusted from the head unit, so adjust them from PXA-H700.

Using with RCA-type or optical cable connections (non Ai-NET connections)

Switching the input

The PXA-H700 is equipped with three sets of analog signal inputs and three sets of digital signal inputs. For further information about connections, see Page 36.

- 1 Press the **SETUP** button.
The setup mode is set.
- 2 Turn the **Rotary encoder** to select the "INPUT SELECT" mode, then press the **ENTER** button.
- 3 Turn the **Rotary encoder** to select the input mode, then press the **ENTER** button.

Analog 1 ↔ Analog 2 ↔ Analog 3 ←
Digital 3 ↔ Digital 2 ↔ Digital 1 ←

- 4 Press the **SETUP** button repeatedly to quit the setup mode.

NOTE

Non Ai-NET connections

Alpine products are equipped for a bus connection system called "Ai-NET" which can only be used for connections between Ai-NET products. The PXA-H700 is an Ai-NET product, but is designed to allow connections to other (non Ai-NET) products as well. Thus RCA-type and optical cable connections are also possible. Connections to non Ai-NET products are referred to as "non Ai-NET connections".

Adjusting the input level

Using the analog, RCA-type connections, the PXA-H700's input level must be preset from the head unit.
Adjust the input level using a sound source with a high recording level (such as pop or rock music).

- 1 Turn on the head unit's power.
- 2 Turn the **Rotary encoder** on the main unit counterclockwise and set the volume level to "0".
- 3 Gradually increase the volume of the head unit until "INPUT LEVEL OVER" appears in the display.
Reduce the volume slightly from this position, until "INPUT LEVEL OVER" display just turns off. This completes the setting.
Do not change the head unit volume level from this optimum setting. Use the PXA-H700, only, for changing the volume level.

NOTE

Switch to the spectrum analyzer display mode or the input channel display mode before adjusting the input level. (See page 29)

Adjusting the volume, balance, fader and subwoofer

After determining the input level, adjust the volume, balance, fader and subwoofer from the PXA-H700. Be careful not to make these adjustments on the head unit.

- 1 Press the **ENTER** button and select the mode to be adjusted.

→VOLUME →BALANCE →FADER ←
Sub.W LEVEL ←

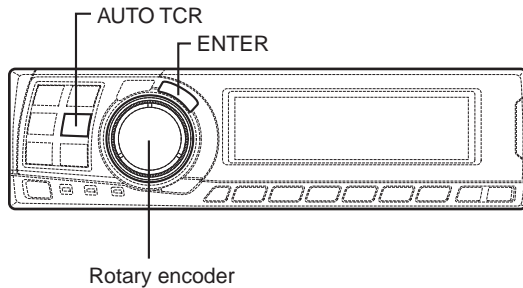
- 2 Turn the **Rotary encoder** within 5 seconds and adjust to the desired level.

VOLUME : 0 ~ 35
BALANCE : L15 ~ R15
FADER : F15 ~ R15
Sub.W LEVEL : 0 ~ +15

NOTE

When the subwoofer is set to "OFF", the Sub.W LEVEL adjustment is ineffective.

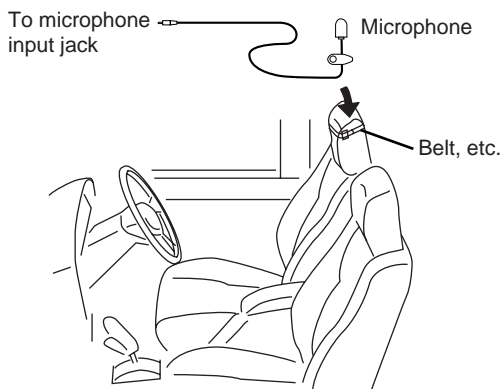
Automatic Adjustments



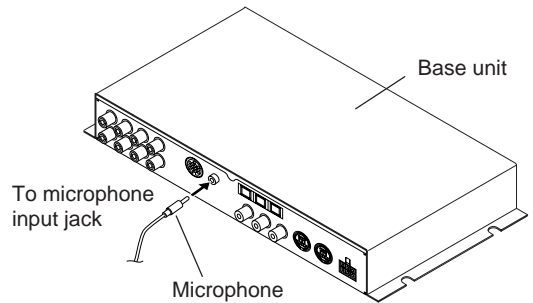
Performing time correction automatically (Automated Time Correction)

Due to the particular conditions inside the vehicle, there is a major difference between the distances of the various speakers and the listening position. This function uses the included measurement microphone to automatically measure and analyze the distances between the speakers and the listening position and perform the optimum time correction.

- 1** Check that the defeat mode is off. (See page 28.)
- 2** Prepare the vehicle.
 - 1) Park the vehicle in a quiet place.
 - 2) Close the vehicle's doors and windows.
- 3** Connect the microphone.
 - 1) Fasten the included microphone at the center of the driver's seat's headrest facing upwards.



- 2) Connect the microphone to the PXA-H700.



- 4** Set the vehicle's engine key to the ACC position.
 - Vibrations could make it difficult to achieve the appropriate adjustment values, so turn the engine off.
 - Noise could make it impossible for automatic measurements to be made, so make sure the air conditioner, heater and all other devices are turned off.

- 5** Press the **AUTO TCR** button.

- 6** Turn the **Rotary encoder**, select the tweeter setting, then press the **ENTER** button.

YES \longleftrightarrow NO

The count down starts.

- 7** Once the count down starts, get out of the vehicle and shut the doors within 10 seconds.

AUTO TCR

10 sec.

to start

With the automatic adjustment function, the operation described below is performed. Adjustments are completed in about 10 seconds.

Time correction.

↓
"END" is displayed for about 15 seconds and the automatic adjustment is completed.

- If the microphone does not pick up the sound or the speakers are not working or are connected or wired improperly, the automatic adjustments are not performed and an error message is displayed. Check the various speakers then perform the automatic adjustments again.

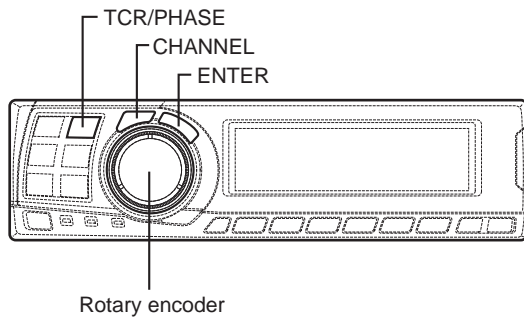
AUTO TCR ERROR

- 8 Check that the automatic adjustment has been completed (that “END” has been displayed for about 15 seconds), then get back into the vehicle and disconnect the microphone.
- 9 To store, follow the procedure described at “Storing settings in the memory” (page 28).

NOTES

- *Automatic measurements cannot be made unless the microphone is connected (error display). To perform time correction automatically, be sure to connect the included microphone first.*
- *Before making automatic measurements, press the AUTO TCR button to cancel it.*
- *No other operations can be performed while measurements are being made.*
- *Measurements will differ according to the position in which the microphone is mounted.*
- *Note that using for extended periods of time without turning on the engine may wear down the battery.*
- *Automatic measurements cannot be made for the subwoofer. Make the subwoofer setting manually. Refer to “Performing time correction manually (TCR)/Switching the phase” (page 8).*
- *When the speaker is set to the “OFF” mode, the TCR for that speaker cannot be adjusted. Refer to “Setting the speakers” (page 4).*
- *After making the settings, we recommend storing them in the memory. For instructions, see page 28.*

Settings/Adjustments



Performing time correction manually (TCR)/Switching the phase

Because of the particular conditions inside the vehicle, there are major differences in the distances between the different speakers and the listening position. The proper time correction can be obtained using the automatic time correction function ("AUTO TCR"), but it is also possible to calculate the optimum correction values and eliminate the time error at the listening position yourself using this function. You can also use this function to switch the phase.

- 1 Check that the defeat mode is off.
(See page 28.)
- 2 Sit in the listening position (the driver's seat, for example) and measure the distance (in meters) between your head and the various speakers.
- 3 Calculate the difference in distance between the farthest speaker and the other speakers.

$$L = (\text{distance of farthest speaker}) - (\text{distance of other speakers})$$
- 4 Divide the distances calculated for the different speakers by the speed of sound (343 m/s temperature 20°C).
This value is the time correction value for the different speakers.

• Concrete examples

1. Calculating the time correction value for the front left speaker on the diagram below.

Conditions:

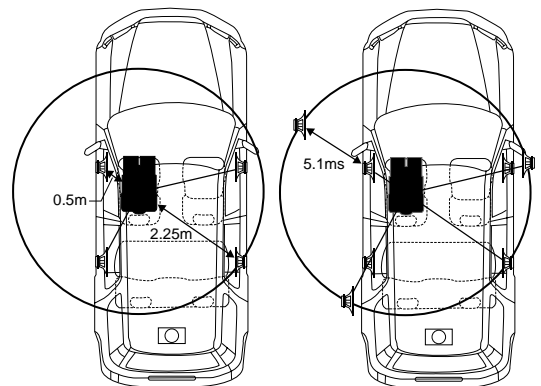
Distance between farthest speaker and listening position: 2.25 m (88-3/4")

Distance between front left speaker and listening position: 0.5 m (20")

Calculation: $L = 2.25 \text{ m (88-3/4")} - 0.5 \text{ m (20")}$
 $= 1.75 \text{ m (68-3/4")}$

Compensation time = $1.75 \div 343 \times 1000$
 $= 5.1 \text{ (ms)}$

In other words, setting the time correction value for the front left speaker to 5.1 (ms) sets a virtual distance matching the distance to the farthest speaker.



The sound is uneven because the distance between the listening position and the different speakers is different. The difference in the distance between the front left and rear right speakers is 1.75 meters (68-3/4").

Time correction eliminates the difference between the time required for the sound from the different speakers to reach the listening position. Setting the time correction of the front left speaker to 5.1 ms makes it possible to coordinate the distance from the listening position to the speaker.

- 5 Press the **TCR/PHASE** button to set the time correction mode.

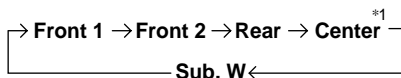
- 6** Press and hold the **CHANNEL** button for at least 2 seconds and select “L and R (LR)” or “L or R”.

L and R (LR) ↔ L or R
(factory default)

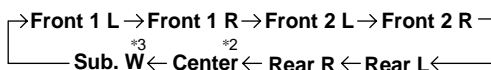
L and R (LR): Sets the same adjustment values for the left and right channels.
L or R: Different adjustment values can be set for the left and right channels.

- 7** Press the **CHANNEL** button and select the desired channel, then press the **ENTER** button.

When “L and R (LR)” is selected:

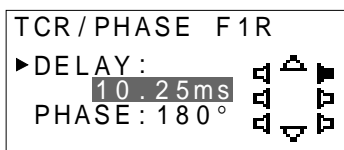


When “L or R” is selected:



- *1 When center is set to subwoofer, it is not displayed.
- *2 When center is set to subwoofer, it becomes Sub.W(L).
- *3 When center is set to subwoofer, it becomes Sub.W(R).

- 8** Turn the **Rotary encoder** to adjust the time correction value (0.00 ~ 20.00ms), then press the **ENTER** button.



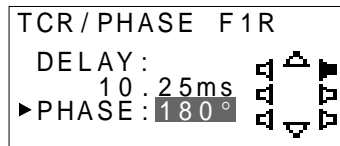
* **The difference in the sound when the defeat mode is turned off (adjusted time correction) and on (default value) can be checked as follows:**

- 1) While in the adjustment mode, press and hold the **TCR/PHASE** button for at least 2 seconds.
- 2) Press the **TCR/PHASE** button to switch the defeat mode on and off and listen to the difference in the sound.
- 3) To quit, select the desired setting, then press the **ENTER** button.

Note that if you press the **ENTER** button with the defeat mode turned on, the adjustments are reset to the defeat on status (the default values).

- 9** Turn the **Rotary encoder** to switch the phase, then press the **CHANNEL** button.
Press the **ENTER** button to return to step 8.

0° ↔ 180°



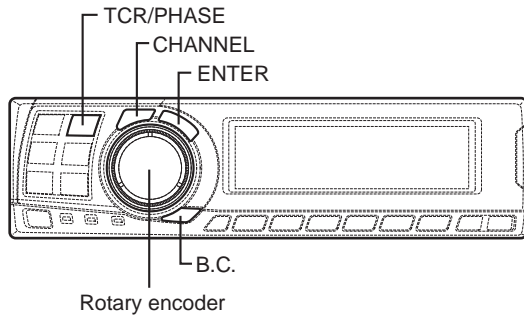
- 10** Repeat steps 7 to 9 to adjust other channels.

- 11** Once the adjustments are completed, press the **TCR/PHASE** button.

NOTES

- When the speaker is set to the “OFF” mode, the TCR for that speaker is ineffective. Refer to “Setting the speakers” (page 4).
- After making the settings, we recommend storing them in the memory. For instructions, see page 28.

Settings/Adjustments



- 5 Turn the **Rotary encoder** to set the step of front-rear/left-right.
- 6 Moreover, for setting another channel (speaker), repeat steps 4 and 5.
- 7 After completing the setting, press the **ENTER** button to return to the time correction mode. Here, you can compare the sound of Defeat OFF (adjustment value) and Defeat ON (initial). For the operation method, refer to step 8 of "Performing time correction manually (TCR)/ Switching the phase" on page 9.
- 8 Press the **TCR/PHASE** button to complete the setting.

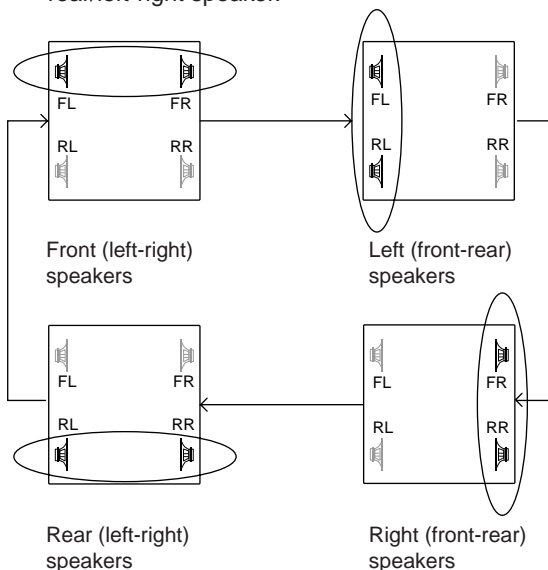
Bass Focus

The time difference between the front-rear/left-right speakers, can be adjusted a pair at a time. Audible time correction can be made from 0.05 ms to 20.00 ms in 401 steps (0 to 400).

NOTE

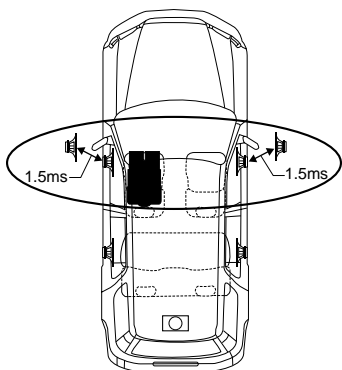
The setting made in Bass Focus is reflected in the time correction.

- 1 Check that the defeat mode is off. (See page 28.)
- 2 Press the **TCR/PHASE** button to select the time correction mode.
- 3 Press the **B.C.** button to select the "BASS FOCUS" setting mode.
- 4 Press the **CHANNEL** button to select the front-rear/left-right speaker.



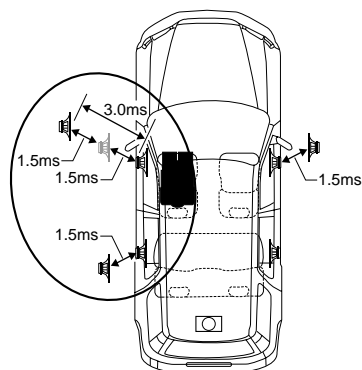
Example of Steps 4 and 5 Setting

1. After entering corrections for the front (left and right) speakers in STEP 30, the time difference is 1.5 ms for both front-left and front-right speakers.



2. After entering corrections for the left (front and rear) speakers in STEP 30, the time difference becomes 3.0 ms* for the front left speaker, and 1.5 ms for the left rear speaker.

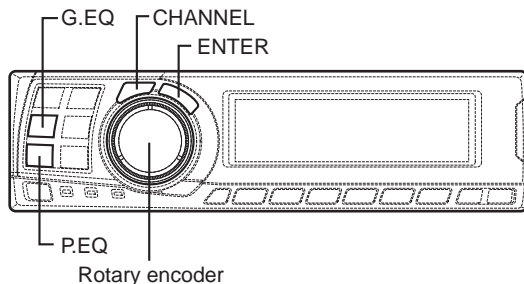
* Because the time difference was already set to 1.5 ms for the front left speakers in STEP 1, the additional correction in STEP 30 makes the time difference of the front left speaker 3.0 ms.



Time difference Table

Number of steps	Time Difference (ms)	Number of steps	Time Difference (ms)	Number of steps	Time Difference (ms)
0	0.00	34	1.70	68	3.40
1	0.05	35	1.75	69	3.45
2	0.10	36	1.80	70	3.50
3	0.15	37	1.85	71	3.55
4	0.20	38	1.90	72	3.60
5	0.25	39	1.95	73	3.65
6	0.30	40	2.00	74	3.70
7	0.35	41	2.05	75	3.75
8	0.40	42	2.10	76	3.80
9	0.45	43	2.15	77	3.85
10	0.50	44	2.20	78	3.90
11	0.55	45	2.25	79	3.95
12	0.60	46	2.30	80	4.00
13	0.65	47	2.35	81	4.05
14	0.70	48	2.40	82	4.10
15	0.75	49	2.45	83	4.15
16	0.80	50	2.50	84	4.20
17	0.85	51	2.55	85	4.25
18	0.90	52	2.60	86	4.30
19	0.95	53	2.65	87	4.35
20	1.00	54	2.70	88	4.40
21	1.05	55	2.75	89	4.45
22	1.10	56	2.80	90	4.50
23	1.15	57	2.85	91	4.55
24	1.20	58	2.90	92	4.60
25	1.25	59	2.95	93	4.65
26	1.30	60	3.00	94	4.70
27	1.35	61	3.05	95	4.75
28	1.40	62	3.10	96	4.80
29	1.45	63	3.15	97	4.85
30	1.50	64	3.20	98	4.90
31	1.55	65	3.25	99	4.95
32	1.60	66	3.30	100-399	5.00-19.95
33	1.65	67	3.35	400	20.00

Settings/Adjustments



Graphic equalizer adjustments

The graphic equalizer allows you to modify the sound using 31 bands each for the front (left and right), rear (left and right) and center speakers. An additional 10 bands are available for the subwoofer. This allows you to customize the sound to suit your taste.

- 1 Check that the defeat mode is off. (See page 28.)
- 2 Press the **G.EQ** button to set the graphic equalizer mode.
- 3 Press and hold the **CHANNEL** button for at least 2 seconds and select "L and R (LR)" or "L or R".

L and R (LR) ↔ L or R
(factory default)

L and R (LR): Sets the same adjustment values for the left and right channels.

L or R: Different adjustment values can be set for the left and right channels.

- 4 Press the **CHANNEL** button to select the desired channel, then press the **ENTER** button.

When "L and R (LR)" is selected:

→ Front → Rear → Center → Sub. W →
*1

When "L or R" is selected:

→ Front L → Front R → Rear L → Rear R →
Sub. W ← Center ←
*3 *2

- *1 When center is set to subwoofer, it is not displayed.
- *2 When center is set to subwoofer, it becomes Sub.W(L).
- *3 When center is set to subwoofer, it becomes Sub.W(R).

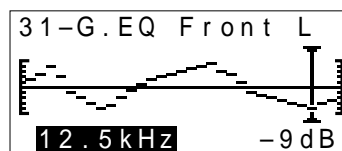
- 5 Turn the **Rotary encoder** to select the frequency, then press the **ENTER** button.

Adjustable frequencies

Front/Rear/Center: 20Hz~20kHz (1/3 octave step)

Sub.W: 20Hz~160Hz (1/3 octave step)

- 6 Turn the **Rotary encoder** to adjust the level (± 9 dB in steps of 1 dB), then press the **ENTER** button.



- 7 Repeat steps 5 and 6 to adjust other frequencies.

- 8 To adjust other channels, press the **CHANNEL** button to return to step 4.

*** The difference in the sound when the defeat mode is turned off (adjusted graphic equalizer settings) and on (default values) can be checked as follows:**

- 1) While in the adjustment mode, press and hold the **G.EQ** button for at least 2 seconds.
- 2) Press the **G.EQ** button to switch the defeat mode on and off and listen to the difference in the sound.
- 3) To quit, select the desired setting, then press the **ENTER** button.

Note that if you press the **ENTER** button with the defeat mode turned on, the adjustments are reset to the defeat on status (the default values).

- 9 Once the adjustments are completed, press the **G.EQ** button.

NOTES

- When the speaker is set to the "OFF" mode, the graphic equalizer for that speaker is ineffective. Refer to "Setting the speakers" (page 4).
- Check the playable frequency ranges of the connected speakers before making the equalizer adjustments. If the speaker's playable frequency range is 55 Hz to 30 kHz, for example, adjusting the 40 Hz or 20 Hz band has no effect. Additionally, you may overload and damage the speakers.
- After making the settings, we recommend storing them in the memory. For instructions, see page 28.
- When graphic EQ is adjusted, the adjustment for parametric EQ becomes ineffective.

Parametric equalizer adjustments

The frequency bands of the graphic equalizer are fixed. This makes it very difficult to correct for undesired peaks and dips at specific frequencies. The parametric equalizer's center frequency can be tuned these specific frequencies. Then, the bandwidth (Q) and level are fine-tuned, independently, to make the necessary corrections. The parametric equalizer function is an advanced tool for serious audiophiles.

- 1 Check that the defeat mode is off.
(see page 28.)
- 2 Press the **P.EQ** button to set the parametric equalizer mode.
- 3 Press and hold the **CHANNEL** button for at least 2 seconds and select "L and R (LR)" or "L or R".

L and R (LR) ↔ L or R
(factory default)

L and R (LR): Sets the same adjustment values for the left and right channels.

L or R: Different adjustment values can be set for the left and right channels.

- 4 Press the **CHANNEL** button to select the desired channel, then press the **ENTER** button.

When "L and R (LR)" is selected:

→ **Front** → **Rear** → **Center** → **Sub. W** ←^{*1}

When "L or R" is selected:

→ **Front L** → **Front R** → **Rear L** → **Rear R** ←
← **Sub. W** ← **Center** ←^{*3} ^{*2}

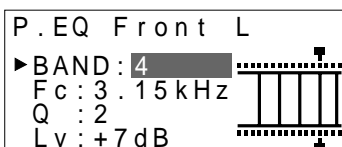
- *1 When center is set to subwoofer, it is not displayed.
- *2 When center is set to subwoofer, it becomes Sub.W(L).
- *3 When center is set to subwoofer, it becomes Sub.W(R).

- 5 Turn the **Rotary encoder** to select the band, then press the **ENTER** button.

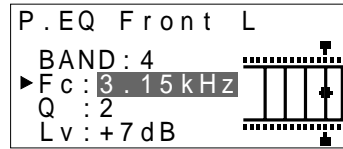
Adjustable bands

Front/Rear/Center : 5 bands

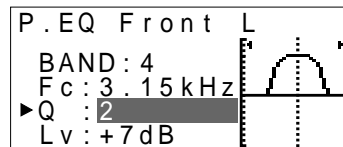
Sub.W : 2 bands



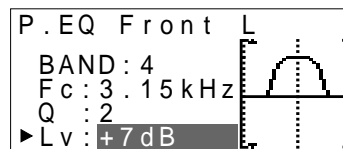
- 6 Turn the **Rotary encoder** to select the frequency, then press the **ENTER** button.
For the adjustable frequencies, see page 43.



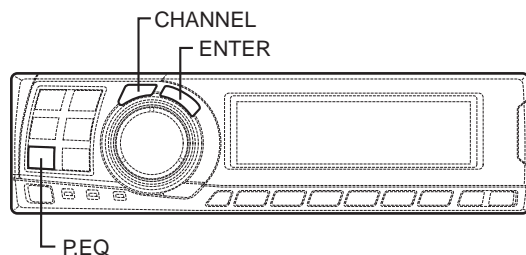
- 7 Turn the **Rotary encoder** to adjust the band width (Q), then press the **ENTER** button.
The band width can be adjusted in 6 steps of 0.5/1/2/3/4/5.



- 8 Turn the **Rotary encoder** to adjust the level (± 9 dB in steps of 1 dB), then press the **ENTER** button.



Settings/Adjustments



NOTES

- When the speaker is set to the “OFF” mode, the parametric equalizer for that speaker is ineffective. Refer to “Setting the speakers” (page 4).
- It is not possible to adjust the frequencies of adjacent bands within 7 steps.
- Check the playable frequency ranges of the connected speakers before making the equalizer adjustments. If the speaker's playable frequency range is 55 Hz to 30 kHz, for example, adjusting the 40 Hz or 20 Hz band has no effect. Additionally, you may overload and damage the speakers.
- After making the settings, we recommend storing them in the memory. For instructions, see page 28.
- When parametric EQ is adjusted, the adjustment for graphic EQ becomes ineffective.

9 Repeat steps 5 to 8 to adjust other bands.

10 To adjust other channels, press the **CHANNEL** button to return to step 4.

*** To compare the factory default settings (DEFEAT ON) with your newly adjusted parametric equalizer settings (DEFEAT OFF), do the following:**

- 1) While in the adjustment mode, press and hold the **P.EQ** button for at least 2 seconds.
- 2) Press the **P.EQ** button to switch the defeat mode on and off and listen to the difference in the sound.
- 3) To quit, select the desired setting, then press the **ENTER** button.

Note that if you press the **ENTER** button with the defeat mode turned on, the adjustments are reset to the defeat on status (the default values).

11 Once the adjustments are completed, press the **P.EQ** button.

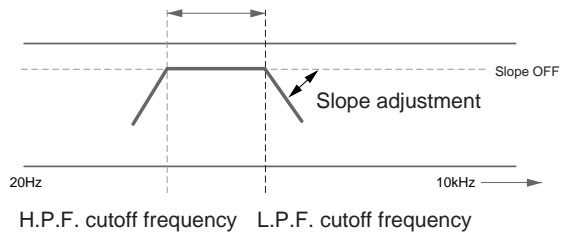
X-OVER

The PXA-H700 is equipped with an active crossover allowing the frequency bands to be split before amplification. Because of this, there is no need for a passive network between the speakers and amplifiers. This makes the amplifiers fully independent, eliminating the problem of interference. This also makes it possible to achieve the optimum acoustic space by dividing the playback frequencies in a way suited to the speaker's response.

This adjustment requires sufficient knowledge and experience. If you have problems, we suggest you have the adjustment made by your store authorized of Alpine dealer.

Adjust the high pass filter (H.P.F.) and low pass filter (L.P.F.) and set the slope (filter response attenuation slope) for the different bands. Make the adjustments according to the playable frequency ranges and frequency responses of the connected speakers.

Signals with these frequencies output



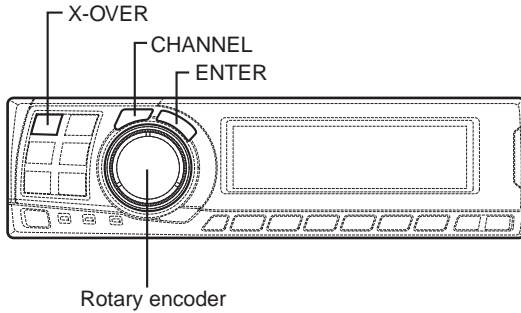
The H.P.F. setting cannot be the same as or exceed the L.P.F. setting for that channel.

- The crossover network is a filter that divides specific frequency bands.
- The high pass filter is a filter that cuts frequencies below a certain frequency (bass frequencies) and lets through treble frequencies.
- The low pass filter is a filter that cuts frequencies above a certain frequency (treble frequencies) and lets through bass frequencies.
- The slope is a value expressing the attenuation of the signal in decibels when the frequency is increased or decreased by one octave.
- The higher the slope value, the steeper the slope.
- If the slope is set to "OFF", the signal does not pass through the filter, so there is no effect.
- In order to protect the speakers, if Tweeter is selected in Front 1, there is no filter OFF (slope OFF) setting for H.P.F. For the same reason, the subwoofer low pass filter cannot be turned off (the slope cannot be set to "OFF".)
- Tweeters may be damaged if low frequency signals are input to them.

	Cutoff frequency adjustment range (1/6 octave steps)		Slope adjustment	
	H.P.F.	L.P.F.	H.P.F.	L.P.F.
Front 1 (Front speaker 1) Select TWEETER	1kHz – 18kHz	1.1kHz – 20kHz	6/12/18/ 24/30dB/ Filter OFF	6/12/18/ 24/30dB/ Filter OFF
Front 1 (Front speaker 1) Select FULL RANGE	20Hz – 18kHz	22Hz – 20kHz	6/12/18/ 24/30dB/ Filter OFF	6/12/18/ 24/30dB/ Filter OFF
Front 2 (Front speaker 2)	20Hz – 18kHz	22Hz – 20kHz	6/12/18/ 24/30dB/ Filter OFF	6/12/18/ 24/30dB/ Filter OFF
Rear (Rear speaker)	20Hz – 18kHz	22Hz – 20kHz	6/12/18/ 24/30dB/ Filter OFF	6/12/18/ 24/30dB/ Filter OFF
Center* (Center speaker)	20Hz – 18kHz	22Hz – 20kHz	6/12/18/ 24/30dB/ Filter OFF	6/12/18/ 24/30dB/ Filter OFF
Sub. W (Subwoofer)	20Hz – 180Hz	22Hz – 200Hz	6/12/18/ 24/30dB/ Filter OFF	6/12/18/ 24/30dB

* If center is set as subwoofer, the adjustment range changes to the range of subwoofer.

Settings/Adjustments



X-OVER adjustment

This section describes the procedure for making the X-OVER adjustment. Before performing this procedure, see "X-OVER" on page 15.

- 1 Check that the defeat mode is off. (See page 28.)
- 2 Press the **X-OVER** button to set the X-OVER adjustment mode.
- 3 Press and hold the **CHANNEL** button for at least 2 seconds and select "L and R (LR)" or "L or R".

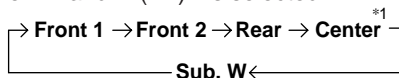
L and R (LR) ↔ L or R
(factory default)

L and R (LR): Sets the same adjustment values for the left and right channels.

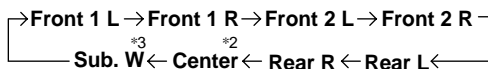
L or R: Different adjustment values can be set for the left and right channels.

- 4 Press the **CHANNEL** button to select the desired channel, then press the **ENTER** button.

When "L and R (LR)" is selected:

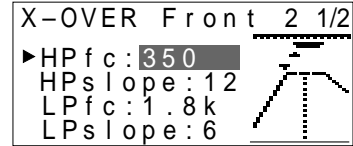


When "L or R" is selected:

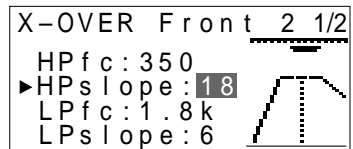


- *1 When center is set to subwoofer, it is not displayed.
- *2 When center is set to subwoofer, it becomes Sub.W(L).
- *3 When center is set to subwoofer, it becomes Sub.W(R).

- 5 Turn the **Rotary encoder** to adjust the H.P.F. cutoff frequency, then press the **ENTER** button. The adjustable bands differ according to the channel (speaker).



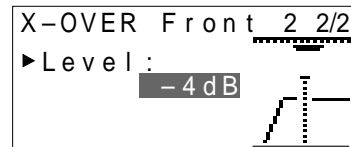
- 6 Turn the **Rotary encoder** to adjust the H.P.F. slope, then press the **ENTER** button. To set filter off (slope off), press and hold the **X-OVER** button for at least 2 seconds.



- 7 Next, make the adjust for the L.P.F. in the same way as in steps 5 and 6.

- 8 Turn the **Rotary encoder** to adjust the level, then press the **CHANNEL** button. Press the **ENTER** button to return to step 5.

The level can be adjusted between -12 and 0.



- 9 Repeat steps 4 to 8 to adjust other channels.
- 10 Once the adjustments are completed, press the **X-OVER** button.

Hint for adjusting the subwoofer

- If the subwoofer is installed on the rear deck, setting a gentle L.P.F. slope (for example 6 dB/oct.) makes the sound localization more to the rear. This can also affect the acoustic localization of the front.

Hints for adjusting the high range

- Depending on the speaker, inputting low frequency component signals (about 2 kHz or less) with the H.P.F. adjustment could result in distortion. If so, set a steep slope (for example 30 dB/oct.).
When doing so, adjust so that the mid and high range sounds do not separate.
- Normally use with the L.P.F. off. If the high range is too strong, we recommend adjusting for a gentle slope.

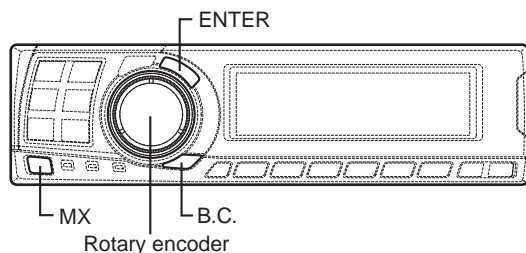
Hint for adjusting the low range

- When a subwoofer is connected and you are using a speaker with a low range of under 10 or 12 cm (3-15/16" or 4-3/4"), setting the low range H.P.F. to "OFF" can result in distortion when low frequency components are input.
If so, set the H.P.F. slope to a value suited for the speaker's frequency response.

NOTES

- *In order to protect the speakers, if Tweeter is selected in Front 1, there is no filter OFF (slope OFF) setting for H.P.F.
For the same reason, the subwoofer low pass filter cannot be turned off (the slope cannot be set to "OFF".)*
- *When the speaker is set to the "OFF" mode, the X-OVER for that speaker is ineffective. Refer to "Setting the speakers" (page 4).*
- *Check the playback frequencies of the connected speakers before adjusting.*
- *After making the settings, we recommend storing them in the memory. For instructions, see page 28.*

Settings/Adjustments



MX settings

MX (Media Xpander) makes vocals or instruments sound distinct regardless of the music source. The radio, CD, and MP3, will be able to reproduce the music clearly even in cars with a lot of road noise.

- ① **When “Auto” has been set as the MX mode setting (see page 27) while using the PXA-H700 in combination with an Ai-NET head unit equipped with an automatic MX mode selection function (DVA-7996R, etc.)**

In this case, the MX mode is selected automatically according to the music source on the head unit. The MX mode can be set from the PXA-H700 using the operation described below.

- 1 Press the **MX** button to set the MX setting mode.
- 2 In case of “MX OFF”, press and hold the **MX** button for at least 2 seconds to turn the MX mode on.
- 3 Turn the **Rotary encoder** to select the desired mode, then press the **ENTER** button.
 - When “OFF” is selected, the MX effect is turned off.
 - The level for the currently selected music source (radio, CD, etc.) can be adjusted.

FM: MX1 to 3 and OFF

The medium to high frequencies become more clear, and produces well balanced sound in all the bands.

CD: MX1 to 3 and OFF

CD mode processes a large quantity of data. This data is used to reproduce the sound cleanly by making use of the data quantity.

MP3/DAB: MX1 to 3 and OFF

This corrects information that was omitted at the time of compression. This reproduces a well-balanced sound close to the original.

DVD/Video CD: MOVIE MX 1~2, MUSIC, OFF

MOVIE MX 1~2: The dialogues of movies are played with greater clarity.

MUSIC: Discs containing music clips are played with a more dynamic sound.

AUX: MP3, MUSIC, MOVIE, OFF

Choose the MX mode (MP3, MUSIC, or MOVIE) that corresponds to the media connected.

- 4 Once the settings are completed, press the **MX** button.

NOTES

- Operations cannot be performed when the defeat mode (page 28) is on.
- Each music source, such as radio, CD, and MP3 can have its own MX setting.
- If “MX OFF” is set in step 2, the MX mode is set to off for all music sources.

- ② **When combining non Ai-Net head unit products**

When combining Ai-Net head unit products without MX interlocking function

When combining Ai-Net head unit products (DVA-7996R, etc.) with MX interlocking function considering that “MX mode setting” (page 27) is set to “Manual”.

In these cases, the PXA-H700 is not interlocked with the head unit, therefore it is necessary to set the MX from the PXA-H700 with the operations below.

- 1 Press the **MX** button to set the MX setting mode.
- 2 In case of “MX OFF”, press and hold the **MX** button for at least 2 seconds to turn the MX mode on.

- 3** Turn the **Rotary encoder** to select the source (media) you want to set, then press the **ENTER** button.
- 4** Turn the **Rotary encoder** to select the desired mode, then press the **ENTER** button.
For further information about setting mode, see step 3 of ① (page 18).
- 5** To set other sources (media), press the **MX** button and return to step 3.
- 6** Once the settings are completed, press the **MX** button repeatedly.

NOTES

- *Operations cannot be performed when the defeat mode (page 28) is on.*
- *The source (media), such as radio, CD, and MP3 can be set.*
- *“MX OFF” can be set in step 2.*

BASS COMP. setting

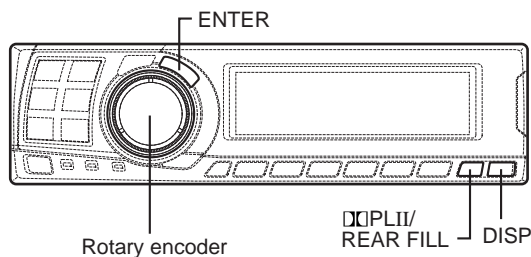
The sound of the low frequencies can be adjusted to suit your tastes.

- 1** Check that the defeat mode is off.
(See page 28.)
- 2** Press the **B.C.** button to set the “BASS COMP.” setting mode.
- 3** In case of “BASS COMP. OFF”, press and hold the **B.C.** button for at least 2 seconds to turn the BASS COMP. mode on.
- 4** Turn the **Rotary encoder** to select the desired mode, then press the **ENTER** button.
As the bass level increases in order of BASS COMP. 1, BASS COMP. 2, BASS COMP. 3, you can enjoy listening to the powerful sound.
- 5** Once the settings are completed, press the **B.C.** button.

NOTE

“BASS COMP. OFF” can be set in step 3.

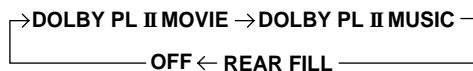
Using Dolby Surround



Using the Pro Logic II mode

With the PXA-H700, Pro Logic processing can be conducted on the music signals recorded on two channels to achieve Dolby Pro Logic II surround sound. For two-channel Dolby Digital and DTS signals, there is also a “REAR FILL” function for outputting the signals of the front channel to the rear channel.

- 1 Press the **DOLBY PLII/REAR FILL** button and select the desired mode.
The setting mode is canceled if no operation is performed within 15 seconds after the mode is selected.



DOLBY PL II MOVIE: Suits the stereo TV shows and all programs encoded in Dolby Surround. It improves the sound field directivity to near that of discrete 5.1-channel sound.

DOLBY PL II MUSIC: Can be used for all stereo music recordings, and provides a wide, deep sound field.

* If **DOLBY PL II MUSIC** is selected, the center width can be adjusted with following operations.

This function offers the optimum vocal position by adjusting the center channel position between the center speaker and the L/R speaker. (The adjustments established in “Adjusting the acoustic image” (page 24) are ineffective while this function is activated.)

- 1) After selecting **DOLBY PL II MUSIC**, within 15 seconds, press and hold the **DOLBY PLII/REAR FILL** button for at least 2 seconds.
- 2) Turn the **Rotary encoder** to select “Center Width ON” or “Center Width OFF”, then press the **ENTER** button.
When the setting is turned ON, the optimum vocal position is offered by adjusting the center channel position between the center speaker and the L/R speaker.
- 3) Turn the **Rotary encoder** to adjust the level, then press the **ENTER** button.
The level can be adjusted between 0 to 7. When the level increases, the center channel position moves from the center speaker position to both side.
- 4) After the setting, press and hold the **DOLBY PLII/REAR FILL** button for at least 2 seconds.

NOTES

- Avoid stopping, pausing, switching the disc, cueing, fast-forwarding or switching the audio channel of the player while making this adjustment. The setting is canceled if the decode mode is switched.
- This adjustment is ineffective if the center speaker is set to “OFF” or “Sub.W” in the speaker setup settings.

- 2 Once the settings are completed, press the **DISP** button.

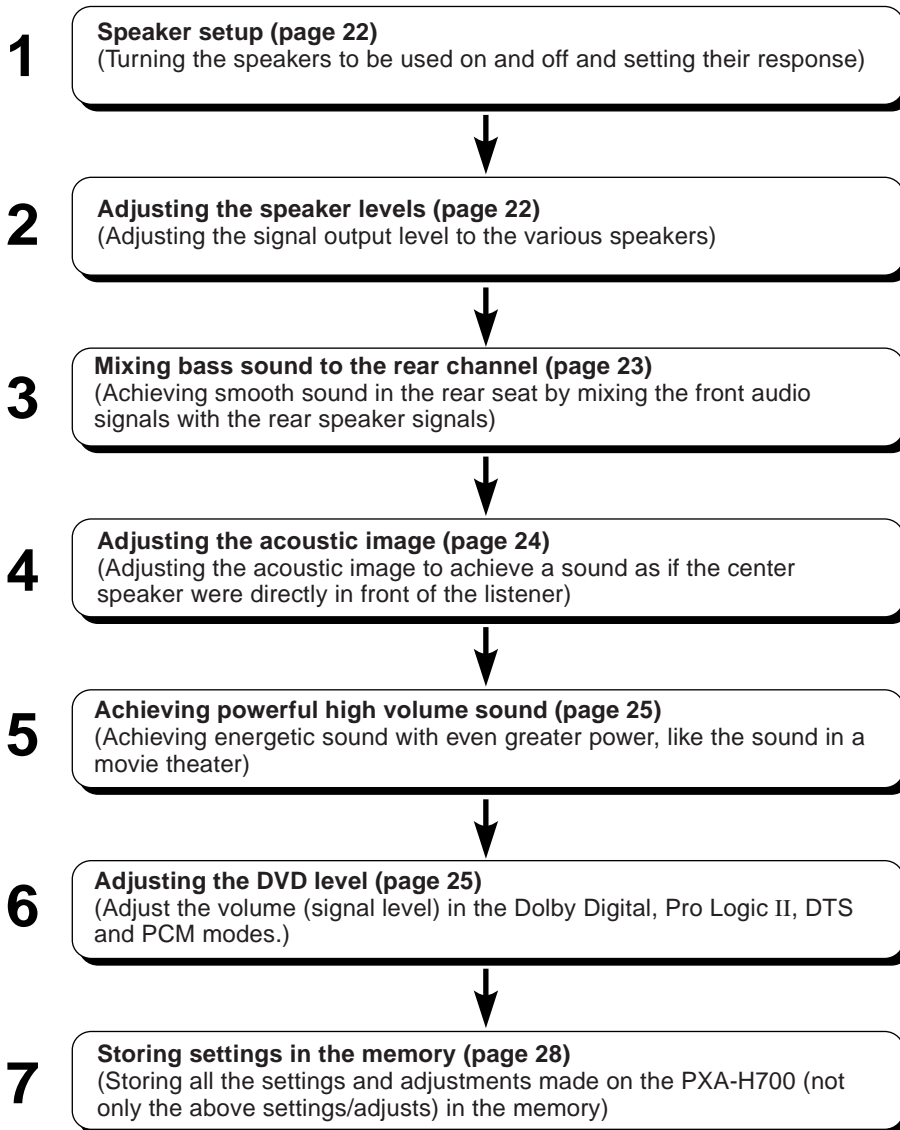
NOTES

- This function only works with two-channel signals. This operation is ineffective when 5.1-channel DTS or Dolby Digital signals are input.
- “REAR FILL” function
Depending on the input signals, the sound may only be output from the front speakers. In this case, the “REAR FILL” function can be used to output signals from the rear speakers as well.
- If the setting of REAR FILL is made when REAR MIX is ON, sound is unchanged in the rear fill setting because REAR MIX is given priority during 2 channel decoder other than linear PCM.
- For linear PCM signals, the voice is output from the rear speaker regardless of the REAR FILL and REAR MIX setting.
- Once the settings are made, we recommend storing them in the memory. See page 28 for instructions.

Adjustment procedure for Dolby Surround

Make the adjustments described below in order to reproduce Dolby Digital and DTS sound with greater accuracy.

Adjustment procedure

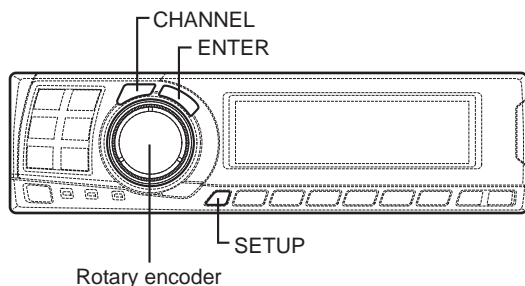


NOTE

In case of combining the Automatic adjustments etc.

We recommend to make the Automatic adjustments before the Dolby Surround adjustments.

Using Dolby Surround



Speaker setup

The PXA-H700 can be set according to the playable frequency range of your speakers. Check the playable frequency range of the speakers (not including the subwoofer) before performing this operation to verify whether the speakers can play low frequencies (of about 80 Hz or less).

NOTE

Avoid stopping, pausing, switching the disc, cueing, fast-forwarding or switching the audio channel of the player while making this adjustment. The setting is canceled if the decode mode is switched.

- 1 Press the **SETUP** button.
The setup mode is set.
- 2 Turn the **Rotary encoder** to select the "5.1CH SETUP" mode, then press the **ENTER** button.
- 3 Turn the **Rotary encoder** to select the "SPEAKER SETUP", then press the **ENTER** button.
- 4 Press the **CHANNEL** button to select the speaker, then press the **ENTER** button.

→ Front → Center → Rear → Sub. W →
- 5 Turn the **Rotary encoder** to select the speaker property, then press the **ENTER** button.
Repeat steps 4 and 5 to set the various items.

*1
OFF ↔ SMALL ↔ LARGE
(Subwoofer is only ON/OFF.)

OFF:

When no speaker is connected

SMALL:

When a speaker that cannot play low frequencies (80 Hz or less) is connected

LARGE:

When a speaker that can play low frequencies (80 Hz or less) is connected

*1: It is not possible to set the front speakers to "OFF".

*2: If the front speakers are set to "SMALL", the rear and center speakers cannot be set to "LARGE".

- 6 Press the **SETUP** button repeatedly to quit the setup mode.

NOTES

- If the center speaker is turned "OFF", the center channel's audio signals are added to the audio signals output from the front speakers.
- If you set the speaker response to "OFF", also set the speaker setting to "OFF". (See page 4.)
- Perform the setup for all the speakers ("Front", "Center", "Rear" and "Sub. W"). If not, the sound may not be balanced.
- When center is set to subwoofer, the setting is ineffective even if center is set with this function.
- Once the settings are made, we recommend storing them in the memory. See page 28 for instructions.

Adjusting the speaker levels

Use the PXA-H700's test tones to make the volume adjustments of the different speakers. When levels are equal, a strong sense of presence can be heard from the different speakers at the listening position.

NOTE

Avoid stopping, pausing, switching the disc, cueing, fast-forwarding or switching the audio channel of the player while making this adjustment. The setting is canceled if the decode mode is switched.

- 1 Press the **SETUP** button.
The setup mode is set.
- 2 Turn the **Rotary encoder** to select the "5.1CH SETUP" mode, then press the **ENTER** button.
- 3 Turn the **Rotary encoder** to select "OUTPUT LEVEL", then press the **ENTER** button.

- 4** Turn the **Rotary encoder** to select “Auto”, then press the **ENTER** button. Test tone output is repeated for each of the different speaker channels. They will be repeated in the order shown below.
If no operation is performed for 2 seconds, the channel switches to the next channel.

→L (Left front) → C (Center) →R (Right front)
← LS (Left surround) ← RS (Right surround)

- 5** While the test tones are being produced from the speakers, turn the **Rotary encoder** to adjust so that the volume of the different speakers is equal.
- The adjustment range for the different speakers is ± 10 dB.
 - Adjust based on the front speakers.
- 6** Press the **SETUP** button repeatedly to quit the setup mode.

Adjusting the level for individual speakers (manual)

- 1) At step 4 above, select “Manual”, then press the **ENTER** button.
- 2) Press the **CHANNEL** button or **ENTER** button to select the speaker you wish to adjust.
- 3) Turn the **Rotary encoder** to adjust the output level.
- 4) Repeat steps 2) and 3) above to adjust the levels of the different speakers.
- 5) Press the **SETUP** button again to quit the setup mode.

NOTES

- If a speaker is set to the off mode, that speaker’s level adjustment cannot be made. Refer to “Speaker setup” (page 22).
- Once the settings are made, we recommend storing them in the memory. See page 28 for instructions.

Mixing bass sound to the rear channel

This function mixes the front channel audio signals to the audio signals output from the rear speakers, improving the sound in the vehicle’s rear seat.

NOTE

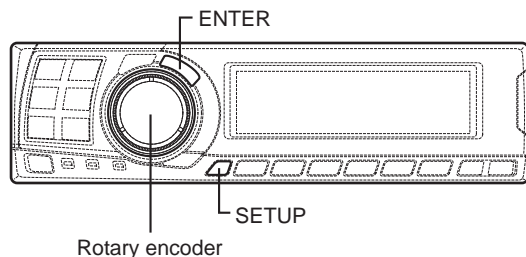
Avoid stopping, pausing, switching the disc, cueing, fast-forwarding or switching the audio channel of the player while making this adjustment. The setting is canceled if the decode mode is switched.

- 1** Press the **SETUP** button.
The setup mode is set.
- 2** Turn the **Rotary encoder** to select the “5.1CH SETUP” mode, then press the **ENTER** button.
- 3** Turn the **Rotary encoder** to select “REAR MIX”, then press the **ENTER** button.
- 4** Turn the **Rotary encoder** to select “REAR MIX ON” or “REAR MIX OFF”, then press the **ENTER** button.
When set to “ON”, the front audio signals are mixed into the audio signals output from the rear speakers.
- 5** Turn the **Rotary encoder** to adjust the level, then press the **ENTER** button.
The level can adjusted in five steps: -6, -3, 0, +3 and +6. The higher the level, the more bass is output from the rear speakers. (The effect differs according to the software (DVD, etc.).)
- 6** Once the settings are completed, press the **SETUP** button repeatedly to quit the setup mode.

NOTES

- This adjustment is ineffective when the rear speaker setup setting is set to “OFF”.
- For linear PCM signals, the voice is output from the rear speaker regardless of the REAR FILL and REAR MIX setting.
- Once the settings are made, we recommend storing them in the memory. See page 28 for instructions.

Using Dolby Surround



- 5 Turn the **Rotary encoder** to adjust the level, then press the **ENTER** button.
The level can be adjusted within the range of -5 to $+5$. The higher the level, the more the position of the center speaker is shifted to the sides.
- 6 Once the settings are completed, press the **SETUP** button repeatedly to quit the setup mode.

NOTES

- This adjustment is ineffective if the center speaker is set to "OFF" or "Sub.W" in the speaker setup settings.
- Once the settings are made, we recommend storing them in the memory. See page 28 for instructions.

Adjusting the acoustic image

In most installations, the center speaker must be placed directly between the front passenger and driver. Using this function, the center channel information is distributed to the left and right speakers. This creates an acoustic image simulating a center speaker directly in front of each listener. Adjusting the center width in DOLBY PL II MUSIC (see "Using the Pro Logic II mode", page 20), makes this function ineffective.

NOTE

Avoid stopping, pausing, switching the disc, cueing, fast-forwarding or switching the audio channel of the player while making this adjustment. The setting is canceled if the decode mode is switched.

- 1 Press the **SETUP** button.
The setup mode is set.
- 2 Turn the **Rotary encoder** to select the "5.1CH SETUP" mode, then press the **ENTER** button.
- 3 Turn the **Rotary encoder** to select "BI-PHANTOM", then press the **ENTER** button.
- 4 Turn the **Rotary encoder** to select "BI-PHANTOM ON" or "BI-PHANTOM OFF", then press the **ENTER** button.
When set to "ON", the center channel information is distributed to the left and right speakers. This creates an acoustic image simulating a center speaker directly in front of each listener.

Achieving powerful high volume sound

With Dolby Digital, the dynamic range is compressed so that powerful sound can be achieved at regular volume levels. This compression can be canceled to achieve an energetic sound with even greater power, like the sound in a movie theater.

NOTE

This function works only in the Dolby Digital mode.

- 1 Press the **SETUP** button.
The setup mode is set.
- 2 Turn the **Rotary encoder** to select the "5.1CH SETUP" mode, then press the **ENTER** button.
- 3 Turn the **Rotary encoder** to select "LISTENING MODE", then press the **ENTER** button.
- 4 Turn the **Rotary encoder** to select "STANDARD" or "MAXIMUM", then press the **ENTER** button.

STANDARD ↔ MAXIMUM

STANDARD:

For powerful sound at regular volume levels

MAXIMUM:

For powerful sound at high volumes

- 5 Press the **SETUP** button repeatedly to quit the setup mode.

NOTES

- *Keep the volume to a level at which sounds outside the vehicle can still be heard.*
- *This function may have no effect, depending on the type of software (DVD, etc.).*
- *Once the settings are made, we recommend storing them in the memory. See page 28 for instructions.*

Adjusting the DVD level

The volume (signal level) for the Dolby Digital, Pro Logic II, DTS and PCM modes can be set.

NOTE

Avoid stopping, pausing, switching the disc, cueing, fast-forwarding or switching the audio channel of the player while making this adjustment. The setting is canceled if the decode mode is switched.

- 1 Press the **SETUP** button.
The setup mode is set.
- 2 Turn the **Rotary encoder** to select the "5.1CH SETUP" mode, then press the **ENTER** button.
- 3 Turn the **Rotary encoder** to select the "DVD LEVEL", then press the **ENTER** button.
- 4 Press the **ENTER** button to select the mode to be adjusted.

→ DOLBY D → DOLBY PL II → DTS → PCM
(DOLBY DIGITAL)

- 5 Turn the **Rotary encoder** to adjust the level.

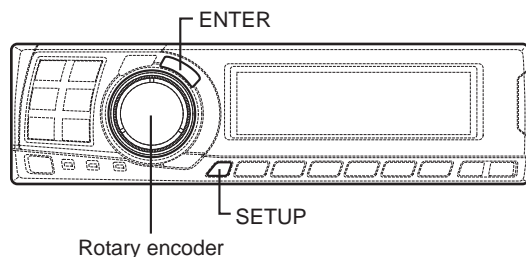
The level can be adjusted in the range of -5 to +5.

- 6 Repeat steps 4 and 5 to set the levels for the various modes.
Once the settings are completed, press the **SETUP** button repeatedly to quit the setup mode.

NOTE

After making the settings, we recommend storing them in the memory. For instructions, see page 28.

Convenient Functions



Navigation system voice guidance interruption

When the navigation system is connected, make the navigation system's voice guidance messages to interrupt the PXA-H700, then output from the front speaker.

- 1** Press the **SETUP** button.
The setup mode is set.
- 2** Turn the **Rotary encoder** to select the "NAVI MIX" mode, then press the **ENTER** button.
- 3** Turn the **Rotary encoder** to select "NAVI MIX ON" or "NAVI MIX OFF", then press the **ENTER** button.
When ON is set, the navigation system's voice guidance messages interrupts the PXA-H700.
- 4** Turn the **Rotary encoder** to adjust the "MIX LEVEL" (volume level of navigation voice), then press the **ENTER** button.
The level can be adjusted from 1 to 15.
- 5** Turn the **Rotary encoder** and set "GUIDE CONT." to "1", then press the **ENTER** button.
Do not use "2".

- 6** Press the **SETUP** button repeatedly to quit the setup mode.

NOTE

For connection with navigation, refer to the "Installation and Connections" (page 40).

Linear PCM setting

The output when playing discs recorded in linear PCM can be set to 2 or 3 channels.

- 1** Press the **SETUP** button.
The setup mode is set.
- 2** Turn the **Rotary encoder** to select the "PCM MODE", then press the **ENTER** button.
- 3** Turn the **Rotary encoder** to select "2ch Output" or "3ch Output", then press the **ENTER** button.

2ch Output: 2ch output (L/R)
3ch Output: 3ch output (L/R/CENTER)
- 4** Press the **SETUP** button repeatedly to quit the setup mode.

NOTE

This PCM mode is ineffective if the center speaker is set to "OFF" or "Sub.W" in the speaker setup settings.

Display settings

The display's contrast and LCD (negative/positive) can be adjusted.

- 1** Press the **SETUP** button.
The setup mode is set.
- 2** Turn the **Rotary encoder** to select the "DISPLAY SETUP" mode, then press the **ENTER** button.
- 3** Turn the **Rotary encoder** to adjust "CONTRAST", then press the **ENTER** button.
Adjust the contrast (color depth) between -8~+8 so that the display is easy to see.
- 4** Turn the **Rotary encoder** to perform the "LCD MODE" setting, then press the **ENTER** button.
Set the display to "POSITIVE (Pos.)" or "NEGATIVE (Neg.)" according to your tastes.
- 5** Once the settings are completed, press the **SETUP** button repeatedly to quit the setup mode.

MX mode setting (Ai-NET connection)

Use this setting when using the PXA-H700 in combination with an Ai-NET head unit equipped with the automatic MX mode selection function (for example, DVA-7996R).
When the MX mode is set to "Auto", the MX settings of the head unit (the MX modes for the different music sources) are sent to the PXA-H700.

- 1** Press the **SETUP** button.
The setup mode is set.
- 2** Turn the **Rotary encoder** to select the "MX MODE", then press the **ENTER** button.
- 3** Turn the **Rotary encoder** to select "Auto" or "Manual", then press the **ENTER** button.

Auto:

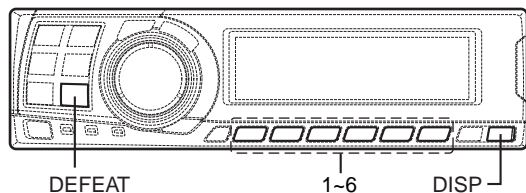
When the PXA-H700 is used in combination with an Ai-NET head unit equipped with the automatic MX mode selection function (for example, DVA-7996R), the MX settings of the head unit are sent to the PXA-H700. In addition, the MX mode switches automatically according to the music source selected by the head unit.

Manual:

Perform the MX operations on the PXA-H700.

- 4** Press the **SETUP** button repeatedly to quit the setup mode.

Convenient Functions



Storing settings in the memory

Up to six adjustments and settings can be stored in the PXA-H700's memory.

- 1 Make the adjustment or setting you want to store in the memory.
- 2 Press and hold any button from **1** to **6** for at least 2 seconds to store the setting into preset memory ("MEMORY1" to "MEMORY6").

SAVE
PRESET MEMORY 2

NOTES

- This operation can only be performed when the defeat mode is turned off.
- The stored contents will not be deleted even when the battery power cord is detached.

Calling out stored values

- 1 Press any button from **1** to **6** to select the preset memory you want to call out ("MEMORY1" to "MEMORY6").

In the preset memory, numerous settings/adjustments are stored. Therefore, it may take some time to access the stored preset memory.

LOADING
PRESET MEMORY 1

NOTE

This operation can only be performed when the defeat mode is turned off.

Defeat mode

- 1 Press the **DEFEAT** button.
All properties are made flat.

DEFEAT ON

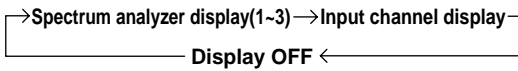
- 2 Press the **DEFEAT** button again to cancel.

NOTES

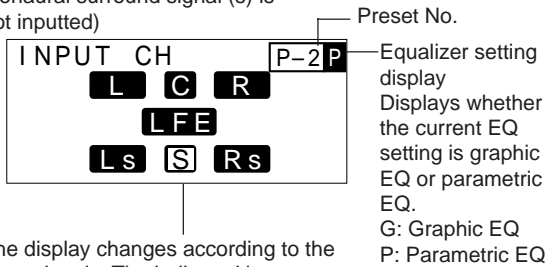
- The "Parametric EQ", "Graphic EQ", "AUTO TCR", "TCR/phase switching", "MX", "X-OVER" and "BASS COMP. setting" operations cannot be performed when the defeat mode is turned on.
- To protect the speakers, the "X-OVER" setting does not change.

Switching the display mode

- 1 Press the **DISP** button to select the desired display mode.



Example of input channel (When monaural surround signal (s) is not inputted)



The display changes according to the input signals. The indicated items are highlighted when there is no input.

- L: Left front channel
- R: Right front channel
- C: Center channel
- Ls: Left surround channel
- Rs: Right surround channel
- S: Monaural surround signal
- LFE: Low frequency deep bass signal

Switching the color of the illumination

The color of the PXA-H700's switch illumination can be changed.

- 1 Press and hold the **DISP** button for at least 2 seconds and select the desired color. Select green or amber.

Installation and Connections

Before installing or connecting the unit, please read the following and pages 2 and 3 of this manual thoroughly for proper use.

Warning

DO NOT DISASSEMBLE OR ALTER.

Doing so may result in an accident, fire or electric shock.

USE THE CORRECT AMPERE RATING WHEN REPLACING FUSES.

Failure to do so may result in fire or electric shock.

MAKE THE CORRECT CONNECTIONS.

Failure to make the proper connections may result in fire or product damage.

USE ONLY IN CARS WITH A 12 VOLT NEGATIVE GROUND.

(Check with your dealer if you are not sure.) Failure to do so may result in fire, etc.

BEFORE WIRING, DISCONNECT THE CABLE FROM THE NEGATIVE BATTERY TERMINAL.

Failure to do so may result in electric shock or injury due to electrical shorts.

DO NOT ALLOW CABLES TO BECOME ENTANGLED IN SURROUNDING OBJECTS.

Arrange wiring and cables in compliance with the manual to prevent obstructions when driving. Cables or wiring that obstruct or hang up on places such as the steering wheel, shift lever, brake pedals, etc. can be extremely hazardous.

DO NOT SPLICE INTO ELECTRICAL CABLES.

Never cut away cable insulation to supply power to other equipment. Doing so will exceed the current carrying capacity of the wire and result in fire or electric shock.

DO NOT DAMAGE PIPE OR WIRING WHEN DRILLING HOLES.

When drilling holes in the chassis for installation, take precautions so as not to contact, damage or obstruct pipes, fuel lines, tanks or electrical wiring. Failure to take such precautions may result in fire.

DO NOT USE BOLTS OR NUTS IN THE BRAKE OR STEERING SYSTEMS TO MAKE GROUND CONNECTIONS.

Bolts or nuts used for the brake or steering systems (or any other safety-related system), or tanks should NEVER be used for installations or ground connections. Using such parts could disable control of the vehicle and cause fire etc.

DO NOT INSTALL THE MONITOR NEAR THE PASSENGER SEAT AIR BAG.

If the unit is not installed correctly the air bag may not function correctly and when triggered the air bag may cause the monitor to spring upwards causing an accident and injuries.

DO NOT BLOCK VENTS OR RADIATOR PANELS.

Doing so may cause heat to build up inside and may result in fire.

KEEP SMALL OBJECTS SUCH AS BATTERIES OUT OF THE REACH OF CHILDREN.

Swallowing them may result in serious injury. If swallowed, consult a physician immediately.

DO NOT INSTALL IN LOCATIONS WHICH MIGHT HINDER VEHICLE OPERATION, SUCH AS THE STEERING WHEEL OR SHIFT LEVER.

Doing so may obstruct forward vision or hamper movement etc. and results in serious accident.

Caution

HAVE THE WIRING AND INSTALLATION DONE BY EXPERTS.

The wiring and installation of this unit requires special technical skill and experience. To ensure safety, always contact the dealer where you purchased this product to have the work done.

USE SPECIFIED ACCESSORY PARTS AND INSTALL THEM SECURELY.

Be sure to use only the specified accessory parts. Use of other than designated parts may damage this unit internally or may not securely install the unit in place. This may cause parts to become loose resulting in hazards or product failure.

ARRANGE THE WIRING SO IT IS NOT CRIMPED OR PINCHED BY A SHARP METAL EDGE.

Route the cables and wiring away from moving parts (like the seat rails) or sharp or pointed edges. This will prevent crimping and damage to the wiring. If wiring passes through a hole in metal, use a rubber grommet to prevent the wire's insulation from being cut by the metal edge of the hole.

DO NOT INSTALL IN LOCATIONS WITH HIGH MOISTURE OR DUST.

Avoid installing the unit in locations with high incidence of moisture or dust. Moisture or dust that penetrates into this unit may result in product failure.

Precautions

- Be sure to disconnect the cable from the (–) battery post before installing your PXA-H700. This will reduce any chance of damage to the unit in case of a short-circuit.
- Be sure to connect the color coded leads according to the diagram. Incorrect connections may cause the unit to malfunction or damage to the vehicle's electrical system.
- When making connections to the vehicle's electrical system, be aware of the factory installed components (e.g. on-board computer). Do not tap into these leads to provide power for this unit. When connecting the PXA-H700 to the fuse box, make sure the fuse for the intended circuit of the PXA-H700 has the appropriate amperage. Failure to do so may result in damage to the unit and/or the vehicle. When in doubt, consult your ALPINE dealer.
- The PXA-H700 uses female RCA-type jacks for connection to other units (e.g. amplifier) having RCA connectors. You may need an adaptor to connect other units. If so, please contact your authorized ALPINE dealer for assistance.

Wiring Connections

Improper wiring connections could cause serious damage to your audio system. Be sure you:

1. DO NOT connect (–) wires from left and right speakers together.
2. DO NOT ground any speaker wires.
3. DO NOT run wires where they may be pinched or cut.
4. DO NOT leave bare speaker terminals exposed. They may contact the vehicle chassis and cause a short.

Fuse

When replacing the fuse(s), the replacement fuse must be of the same amperage as shown on the fuse holder. If the fuse(s) blows more than once, carefully check all electrical connections for shorted circuitry. Also have your vehicle's voltage regulator checked. Do not attempt to repair the unit yourself; return it to your Alpine dealer or nearest Alpine Service Station for servicing.

Temperature

In order to ensure proper performance, be sure the temperature in your vehicle is above 14°F (–10°C) and below 140°F (60°C) before turning your unit on. Good air circulation is essential to prevent internal heat build-up in the unit.

Installation and Connections

IMPORTANT

Please record the serial number of your unit in the space provided below and keep it as a permanent record. The serial number plate is located on the bottom of the unit.

SERIAL NUMBER: _____

INSTALLATION DATE: _____

INSTALLATION TECHNICIAN: _____

PLACE OF PURCHASE: _____

To prevent external noise from entering the audio system.

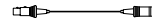
- Locate the unit and route the leads at least 10 cm away from the car harness.
- Keep the battery power leads as far away from other leads as possible.
- Connect the ground lead securely to a bare metal spot (remove any paint, dirt or grease if necessary) of the car chassis.
- If you add an optional noise suppressor, connect it as far away from the unit as possible.
Your Alpine dealer carries various noise suppressors. Contact them for further information.
- Your Alpine dealer knows best about noise prevention measures so consult your dealer for further information.

Accessories

Ai-NET cable



Display cable



Microphone



Connection Cable



Velcro fastener for mounting control unit or base unit



x 3

Flanged self-tapping screw (M4 x 14)



x 4

Pan head screw (M3 x 5)



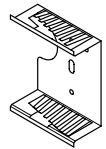
x 2

Flat head screw (M5 x 8)



x 4

Flush mount



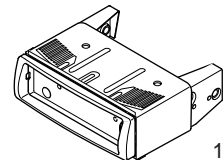
x 2

Self-tapping screw (M2.6 x 8)



x 4

Mounting unit



1 set

Installation

The PXA-H700 is made up of two components: the Control Unit and Base Unit.

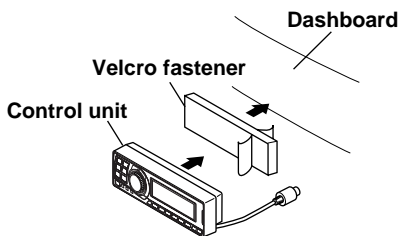
Mounting the control unit

CAUTION:

Do not install the control unit near the air-bag of the front passenger's seat.

- Confirm the installation location will be safe.
- Determine the mounting position on the dashboard. The area should be large enough to center the unit and reasonably flat.

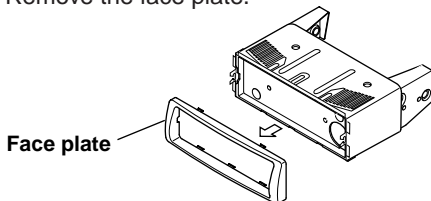
Installation using Velcro fastener



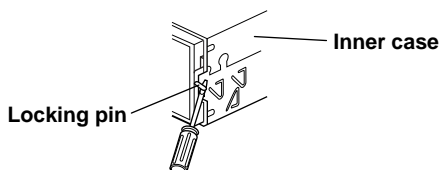
1. Without separating the two pieces of Velcro fastener, peel off the paper backing on one side and place on the back of the control unit.
2. Make sure the location selected is free from moisture or dirt. Peel off the backing paper from the other side of the Velcro fastener on the control.
3. Place the control unit on the mounting location and press the unit firmly to mount securely.

Mounting other units

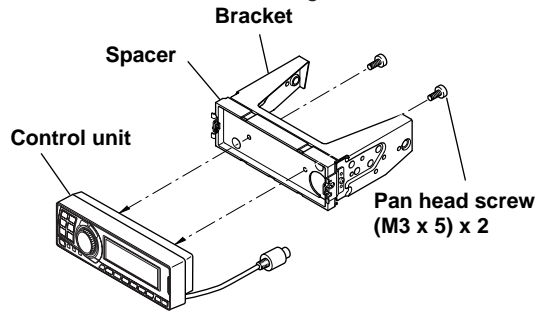
- 1 Remove the face plate.



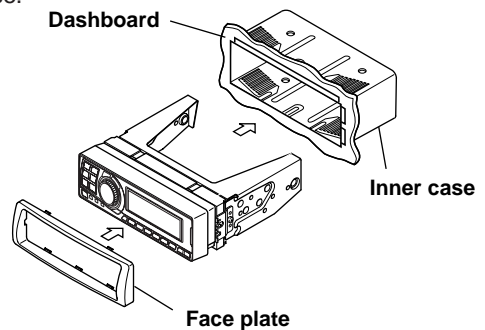
- 2 Use a screwdriver, etc., to slide the locking pin, then take out the inner case.



- 3 Mount the control unit using the included screws.

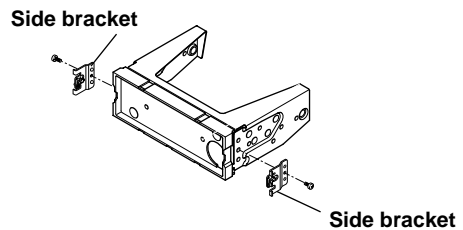


- 4 Mount the previously removed inner case into the dashboard. Slide the control unit into the case.

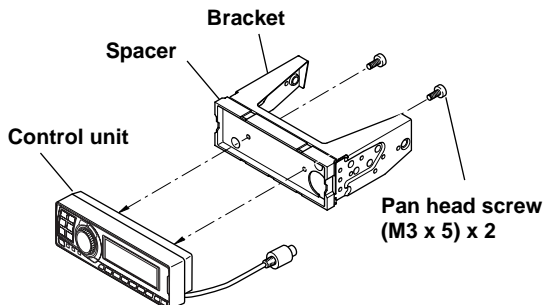


<JAPANESE CAR>

- 1 After step 2 on "Mounting other units" of "Mounting the control unit", remove the side bracket.

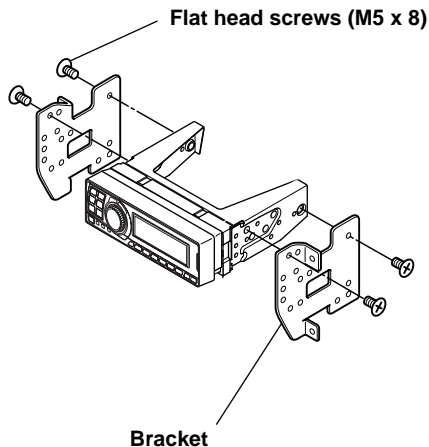


- 2 Mount the control unit using the included screws.



Installation and Connections

- 3** Mount the spacer and bracket to the control unit. Next, securely mount the factory brackets removed from the factory radio, to the control unit assembly.



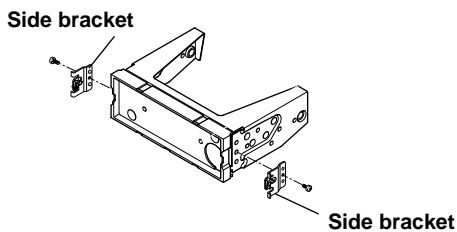
Flush Mounting the control unit

- 1** Make a cut-out approximately 178 (width) by 50 (height) mm (7 inches by 2 inches) in size at your desired mounting location.

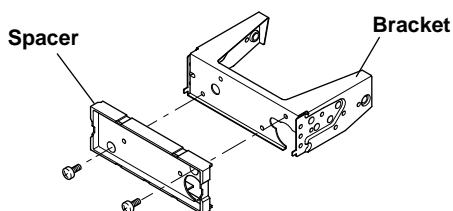
WARNING

When making cut-outs, be careful not to damage pipes, tanks, electric wires, etc. Doing so could lead to accidents or fire.

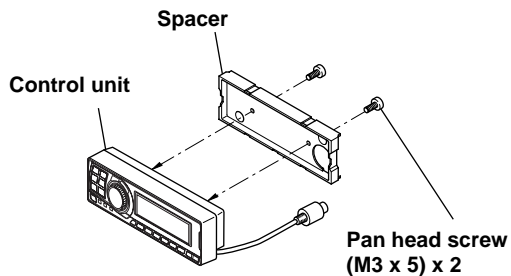
- 2** After step 2 on "Mounting other units" of "Mounting the control unit" page 33, remove the side bracket.



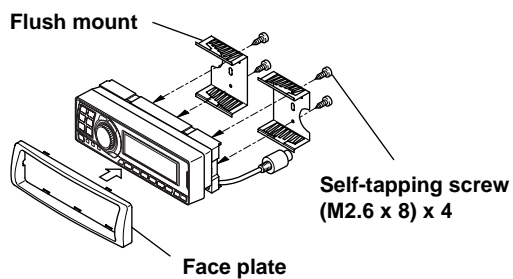
- 3** Remove the spacer from the bracket.



- 4** Mount the spacer on the control unit using the included screws.

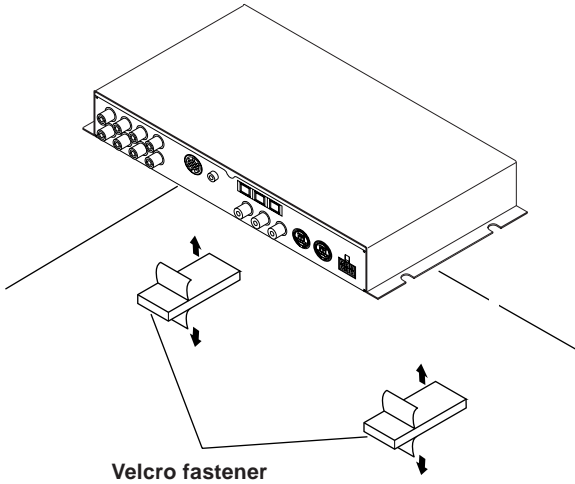


- 5** Attach the flush mount brackets to the control unit using the included screws. Mount this assembly into the prepared cut-out.



Mounting the base unit

● Velcro Fastener Mounting



Attach to the vehicle (such as under the dashboard).

● Using the Mounting Screws (Supplied)

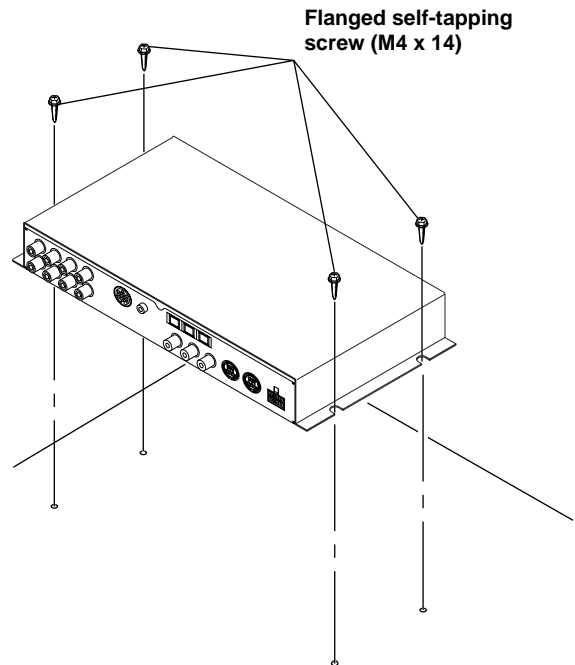
The Base Unit can be mounted under the seat using the mounting screws.

- 1** Decide on the installation location.
 - The trunk, etc., is the best place.
- 2** Mark the positions of the mounting screws at the chosen location.
- 3** Drill 3 mm (1/8") holes or smaller.

WARNING

When making holes, be careful not to damage pipes, tanks, electric wires, etc. Doing so could lead to accidents or fire.

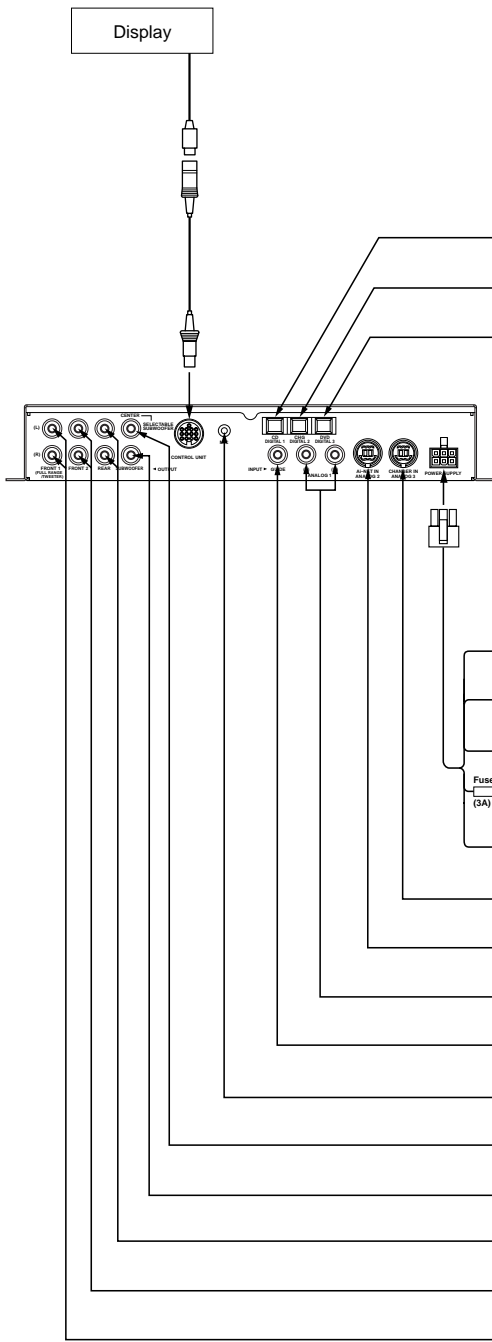
- 4** Securely mount the unit using the four included flanged self-tapping screws (M4 x 14).



Installation and Connections

Basic Connections Diagram

CAUTION
Do not connect or disconnect the display cable when the power of the unit is on.

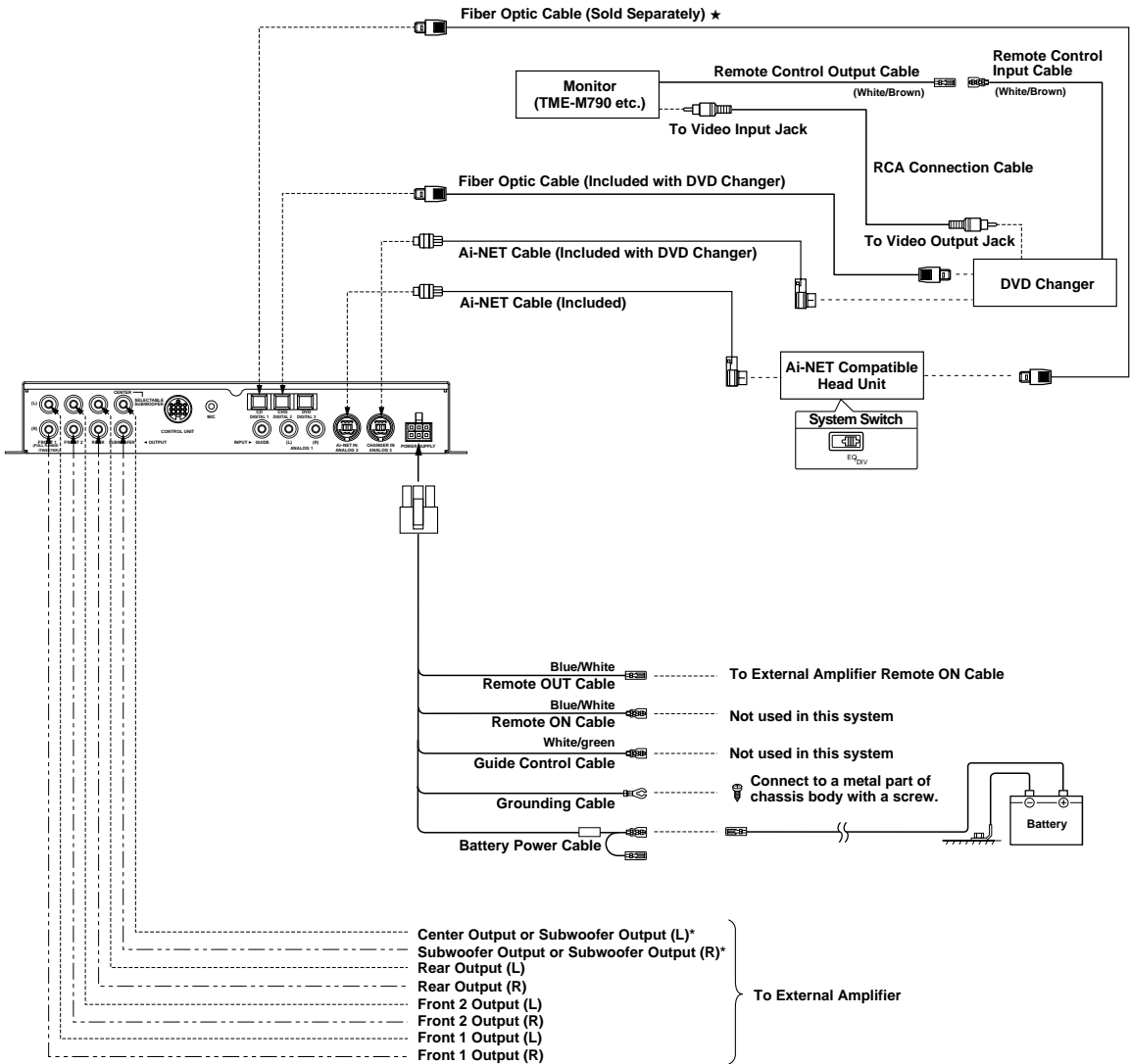


Terminal specifications	Connect to:
<ul style="list-style-type: none"> Head unit input terminal (optical digital input) Used for system expansion (AI-NET head unit, etc.). 	Connect to an AI-NET product using an optical fiber cable.
<ul style="list-style-type: none"> Changer input terminal (optical digital input) Used for system expansion (AI-NET changer, etc.). 	Connect to an AI-NET product using an optical fiber cable.
<ul style="list-style-type: none"> DVD player input terminal (optical digital input) Used for system expansion (DVD player, etc.). 	Connect to an AI-NET product using an optical fiber cable.

Cord colors and cord/terminal specifications	Connect to:
<ul style="list-style-type: none"> Remote ON cable Connect to the head unit for RCA connections. (Non AI-NET connection) 	Used for RCA connections. (Non AI-NET connection)
<ul style="list-style-type: none"> Remote OUT cable Connect to the amplifier or other peripheral device. 	Used to add an amplifier.
<ul style="list-style-type: none"> Guide control cable Used to interrupt the navigation system's sound. 	Connect to the navigation system.
<ul style="list-style-type: none"> Battery power cable Power is supplied constantly to the PXA-H700 regardless of whether the engine key is on or off. 	Connect this lead to the positive(+) post of the vehicle's battery.
<ul style="list-style-type: none"> Ground cable Connect securely to a metal part of the vehicle's body. 	Connect to the vehicle's body.
<ul style="list-style-type: none"> Changer input terminal (AI-NET input) Used for system expansion (AI-NET changer, etc.). 	Connect to an AI-NET product using an AI-NET cord. For connection to the PXA-H700, use the straight side.
<ul style="list-style-type: none"> AI-NET input terminal (AI-NET input) Used for system expansion (DVD player, etc.). 	Connect to an AI-NET product using an AI-NET cord. For connection to the PXA-H700, use the straight side.
<ul style="list-style-type: none"> Audio input jacks (RCA inputs) Used to input the audio output signals of a head unit connected with RCA connections to the PXA-H700. 	Used for RCA connections. Connect to the head unit.
<ul style="list-style-type: none"> Navigation audio input jack (RCA input) Used to input the audio output signals of a navigation system. 	Connect to the navigation system.
<ul style="list-style-type: none"> Microphone jack Use this to connect a microphone. 	Used for automatic adjustment.
<ul style="list-style-type: none"> Center speaker or subwoofer output jack (RCA output) Outputs signals for driving the center speaker or subwoofer. 	Connect to the amplifier for the center speaker or subwoofer.
<ul style="list-style-type: none"> Subwoofer output jack (RCA outputs) Outputs signals for driving the subwoofer. 	Connect to the amplifier for the subwoofer.
<ul style="list-style-type: none"> Rear speaker output jacks (RCA outputs) Outputs signals for driving the rear speakers. 	Connect to the amplifier for the rear speaker.
<ul style="list-style-type: none"> Front 2 speaker output jacks (RCA outputs) Outputs signals for driving the front 2 speakers. 	Connect to the amplifier for the front 2 speaker.
<ul style="list-style-type: none"> Front 1 speaker output jacks (RCA outputs) Outputs signals for driving the front 1 speaker. 	Connect to the amplifier for the front 1 speaker.

Examples of system expansion

• PXA-H700 + Ai-NET Compatible Head Unit + DVD Changer + Monitor + External Amplifier



* When the subwoofer is connected to the center speaker output jack, it becomes subwoofer output (L or R). In this case, change the setting of the center speaker to subwoofer in "Setting the speakers" (page 4).

NOTE

Please observe the following when using Fiber Optic Cable.

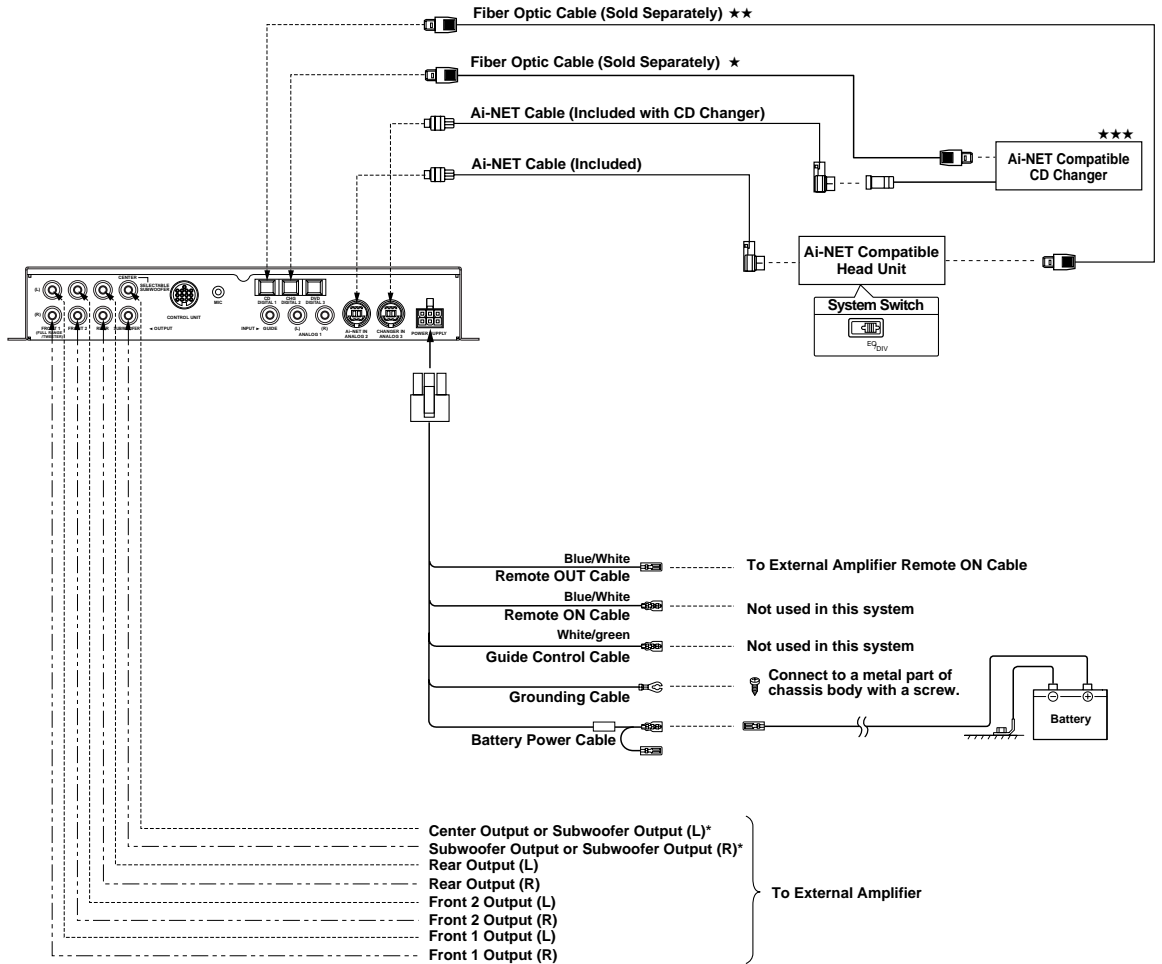
- Do not coil the Fiber Optic Cable smaller than a 30mm radius.
- Do not place anything on top of the Fiber Optic Cable.

NOTE

★ Used for connection to an optical digital compatible head unit.

Installation and Connections

- PXA-H700 + Ai-NET Compatible Head Unit + CD Changer + External Amplifier



* When the subwoofer is connected to the center speaker output jack, it becomes center speaker output (L or R).
 In this case, change the setting of the center speaker to subwoofer in "Setting the speakers" (page 4).

NOTE
Please observe the following when using Fiber Optic Cable.

- Do not coil the Fiber Optic Cable smaller than a 30mm radius.
- Do not place anything on top of the Fiber Optic Cable.

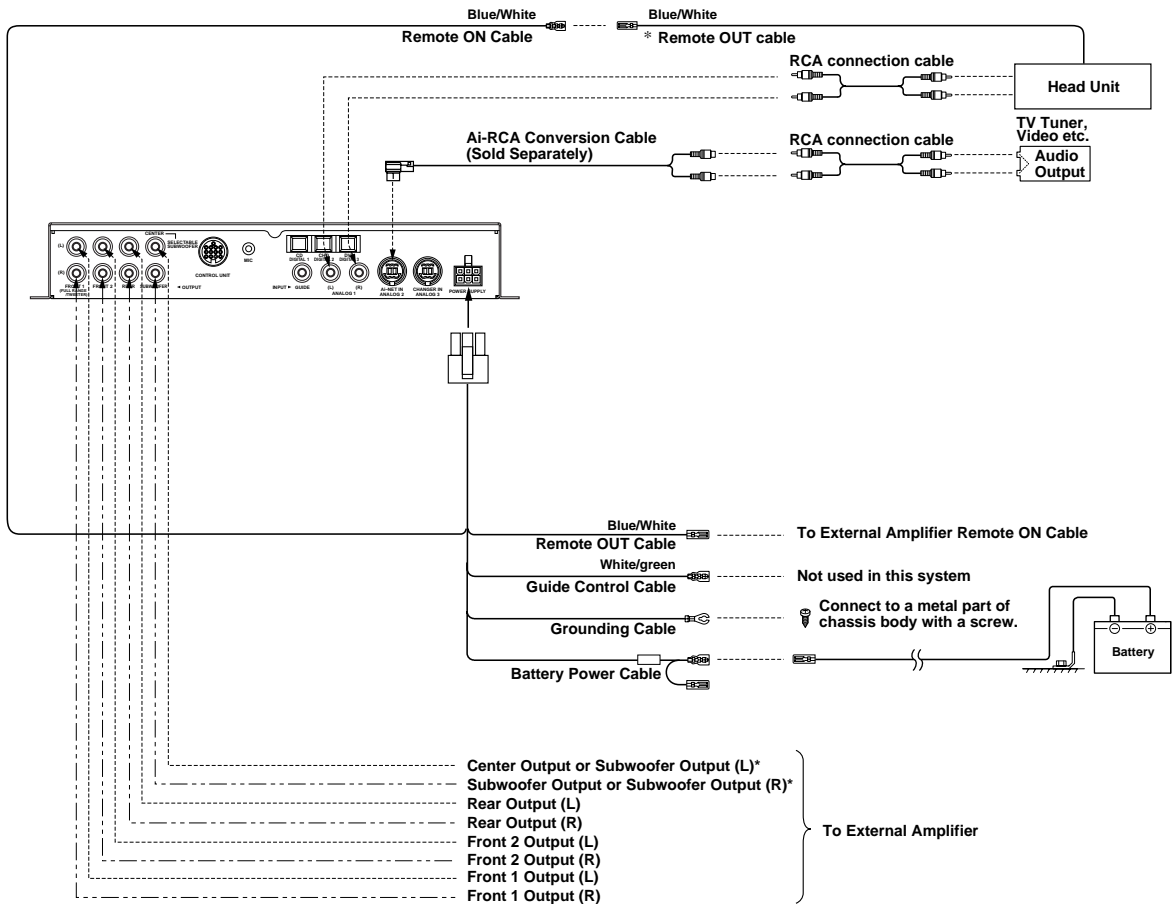
NOTES

- ★ When connecting a Optical Digital CD Changer
- ★★ Used for connection to an optical digital compatible head unit.
- ★★★ When connecting a Optical Digital CD Changer, change the Digital/Analog switch of the CD Changer to "2" (Digital Output)



• PXA-H700 + Head Unit + Video Deck etc. + External Amplifier

- For connecting a head unit with which Ai-NET connections are not possible.



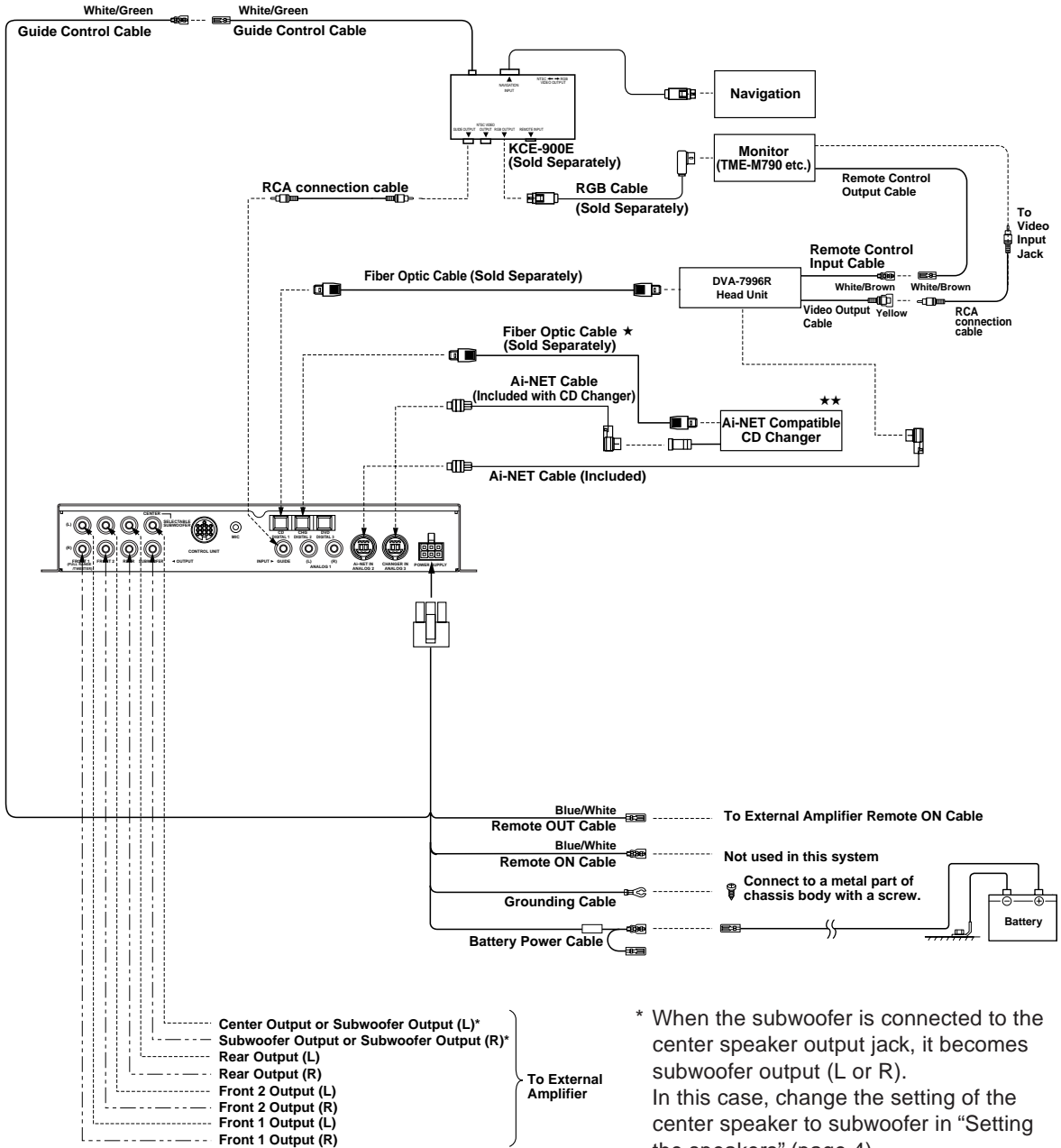
- * When the subwoofer is connected to the center speaker output jack, it becomes subwoofer output (L or R). In this case, change the setting of the center speaker to subwoofer in "Setting the speakers" (page 4).

NOTE

When using the PXA-H700 with a non-Ai-NET head unit, +12V is required on this line * to turn on the equalizer. If your head unit does not have a remote-on or power-antenna turn-on wire, an SPST switch must be connected between an ignition source and this terminal. The PXA-H700 can then be turned on using this switch. The PXA-H700 can be used with any head unit. However, only an Alpine Ai-NET compatible head unit will be able to take full advantage of all the features and functions of this processor.

Installation and Connections

- PXA-H700 + DVA-7996R Head Unit + CD Changer + Navigation System + Monitor + External Amplifier



NOTE

Depending on the type of monitor used in the system, a separate RGB conversion cable (KWE-503N) may be required. In addition, connections are different from the ones shown above when connecting to an all-purpose monitor. Also refer to the operating instructions of the KCE-900E. For details, contact your store of purchase or an Alpine Information Center.

Please observe the following when using Fiber Optic Cable.

- Do not coil the Fiber Optic Cable smaller than a 30mm radius.
- Do not place anything on top of the Fiber Optic Cable.

* When the subwoofer is connected to the center speaker output jack, it becomes subwoofer output (L or R). In this case, change the setting of the center speaker to subwoofer in "Setting the speakers" (page 4).

NOTES

- ★ When connecting a Optical Digital CD Changer
- ★★ When connecting a Optical Digital CD Changer, change the Digital/Analog switch of the CD Changer to "2" (Digital Output)

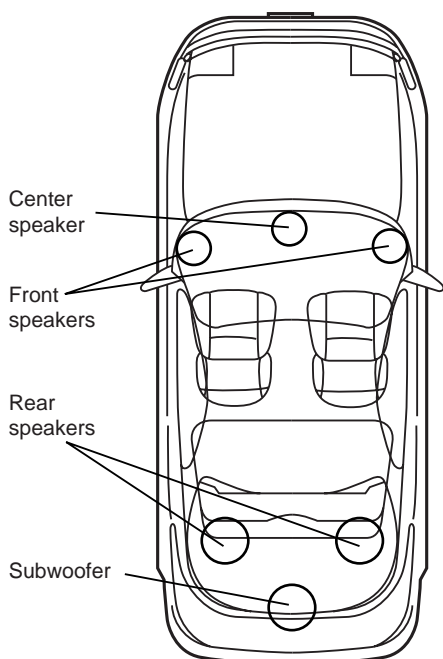


Information

Terminology

Dolby Digital

Dolby Digital is a digital audio compression technology developed by Dolby Laboratories that allows large quantities of audio data to be efficiently recorded on discs. It is compatible with audio signals from mono (1 channel) all the way up to 5.1-channel surround sound. The signals for the different channels are completely independent, and since the sound is high quality digital there is no loss of sound quality.



**Speaker layout for enjoying
Dolby Digital sound/DTS sound**

Dolby Pro Logic II

Dolby Pro Logic II provides multichannel surround sound from any 2 channel source. It reproduces extended bandwidth playback with 5.1 channels. This is made possible by an advanced matrix surround decoder. This new decoder is able to draw out spatial characteristics of the recording without adding tonal coloration or artificial delays that did not exist in the original.

Linear PCM audio (LPCM)

LPCM is a signal recording format used for music CDs. Whereas music CDs are recorded at 44.1 kHz/16 bits, DVDs are recorded at 48 kHz/16 bits to 96 kHz/24 bits, thereby achieving higher sound quality than music CDs.

DTS

This is a home-use digital sound format of the DTS Sound System. This is a high quality sound system, developed by Digital Theater Systems Corp for use in movie theaters.

DTS has six independent sound tracks. The theater presentation is fully realized in the home and other settings. DTS is the abbreviation for Digital Theater Systems.

Others

In case of difficulty

If you encounter a problem, please review the items in the following checklist. This guide will help you isolate the problem if the unit is at fault. Otherwise, make sure the rest of your system is properly connected or consult your authorized Alpine dealer.

Set does not operate.

Nothing appears on the display.

- Vehicle's ignition key is turned off.
 - Turn the vehicle's ignition key on.
- Set's power is not turned on.
 - Turn the vehicle's ignition key on then turn on the power of the head unit.
- Power cord is not securely connected.
 - Connect the power cord securely.
- Fuse is blown.
 - Replace with a fuse of the specified capacity.
- Display mode is set to off.
 - Switch the display to another mode.
(Page 29)

Power is on but no sound is produced.

- Volume level is set to the minimum.
 - Increase the volume level. (Page 5)
- Input mode is set to a mode to which nothing is connected.
 - Set to a connected mode. (Page 5)

No sound is produced from the speakers.

- Cords are not securely connected.
 - Connect the cords securely.
- Speaker is set to the off mode.
 - Set the speaker to the on mode. (Pages 4 and 22)

Speaker setup settings cannot be made.

- Front speakers are set to "SMALL".
 - Set the front speakers to "LARGE". (Page 22)

Sound cannot be adjusted.

- Defeat is set to the on mode.
 - Set defeat to the off mode. (Page 28)

Caution when connecting the DVA-5205 series/ DVA-5200 series/DHA-S680 series

Although the adjustment screen such as EQ and TCR on the audio processor are available in DVA-5205 series/DVA-5200 series/DHA-S680 series, these adjustments cannot be made when they are connected to the PXA-H700.

Specifications

Graphic EQ number of bands:
 Front (left and right) 31 bands
 Rear (left and right) 31 bands
 Center 31 bands
 Subwoofer 10 bands

Graphic EQ boost cut range: ± 9 dB

Parametric EQ number of bands:
 Front/rear/center 5 bands
 Subwoofer 2 bands

Parametric EQ frequency:
 Front, Rear and Center

Band 1: 20/22/25/28/31.5/36/40/45/50/56/
 63/71/80/90/100/110/125/140/160/
 180/200/220/250/280/315/360/400/
 450/500 (Hz)

Band 2: 50/56/63/71/80/90/100/110/125/
 140/160/180/200/220/250/280/315/
 360/400/450/500/560/630/710/800/
 900/1k/1.1k/1.2k (Hz)

Band 3: 125/140/160/180/200/220/250/280/
 315/360/400/450/500/560/630/710/
 800/900/1k/1.1k/1.2k/1.4k/1.6k/
 1.8k/2k/2.2k/2.5k/2.8k/3.2k (Hz)

Band 4: 315/360/400/450/500/560/630/710/
 800/900/1k/1.1k/1.2k/1.4k/1.6k/
 1.8k/2k/2.2k/2.5k/2.8k/3.2k/3.6k/4k/
 4.5k/5k/5.6k/6.3k/7.1k/8k (Hz)

Band 5: 800/900/1k/1.1k/1.2k/1.4k/1.6k/
 1.8k/2k/2.2k/2.5k/2.8k/3.2k/3.6k/4k/
 4.5k/5k/5.6k/6.3k/7.1k/8k/9k/10k/
 11k/12.5k/14k/16k/18k/20k (Hz)

Subwoofer

Band 1: 20/22/25/28/31.5/36/40/45/50/56/
 63/71/80 (Hz)

Band 2: 50/56/63/71/80/90/100/110/125/
 140/160/180/200 (Hz)

Parametric EQ boost cut range: ± 9 dB

Time correction control range: 0 to 20 ms (0.05 ms steps)

Frequency response: 20 Hz to 20 kHz

S/N ratio: 95 dB

Channel separation: 70 dB

Input sensitivity: 850 mA (2V for analog 1 only)

Subwoofer crossover: 20 to 200 Hz (1/6 oct. steps)

Rated output: 4V (with 10 k ohms load)

Input impedance: 10 k ohms or greater

Output impedance: 1 k ohm or less

Weight: Control unit 159 g (5 oz)
 Base unit 1.1 kg (2 lbs. 6 oz)

Dimensions

Control unit

Width 170 mm (6-3/4")

Height 46 mm (1-13/16")

Depth 24 mm (15/16")

Base unit

Width 260 mm (10-3/16")

Height 40 mm (1-9/16")

Depth 160 mm (6-1/4")

<Components>

Parts name	Quantity
Parts for mounting	1 set
Owner's manual	1 set
Microphone	1 set

Due to continuous product improvement, specifications and design are subject to change without notice.

The illustrations included in these instructions may appear different from the actual product due to printing conditions.

Manufactured under license from Dolby Laboratories. "Dolby", "Pro Logic" and the double-D symbol are trademarks of Dolby Laboratories. Confidential unpublished works. ©1992-1997 Dolby Laboratories. All rights reserved.

Manufactured under license from Digital Theater Systems, Inc. US Pat. No. 5,451,942 and other worldwide patents issues and pending. "DTS" and "DTS Digital Surround" are trademarks of Digital Theater Systems, Inc. © 1996 Digital Theater Systems, Inc. All rights reserved.

Händlerstemple

Tipps der Polizei:

- Stellen Sie Ihr Fahrzeug stets gut sichtbar ab.
- Verschließen Sie Türen, Fenster, Schiebedach und Kofferraum immer, auch bei nur kurzer Abwesenheit.
- Lassen Sie keine Wertsachen sichtbar im Auto liegen.
- Wird Ihr Fahrzeug aufgebrochen, wenden Sie sich sofort an die nächste Polizeidienststelle.
- Belassen Sie Ihr Fahrzeug nach einem Aufbruch im Originalzustand.
- Informieren Sie sich über technische Sicherungsmöglichkeiten bei einer Kriminalpolizeiischen Beratungsstelle.

Gerät 1

Modell-Nr.:

Hersteller:

Seriennummer:

A	L																		
---	---	--	--	--	--	--	--	--	--	--	--	--	--	--	--	--	--	--	--

Kaufdatum: _____ Preis: _____



Car Audio and Navigation Systems

GERÄTE-PASS

AUDIO SYSTEME

Fahrzeugmarke: _____ Typ: _____

Amtl. Kennzeichen: _____

Name des Halters: _____

Straße: _____

Wohnort: _____

Bitte füllen Sie diesen Pass vollständig aus und bewahren Sie ihn außerhalb des Fahrzeugs auf:

Im Falle eines Diebstahls wird für Sie die Schadensabwicklung mit der Versicherung einfacher, und Sie erleichtern der Polizei die Fahndung nach den Tätern.