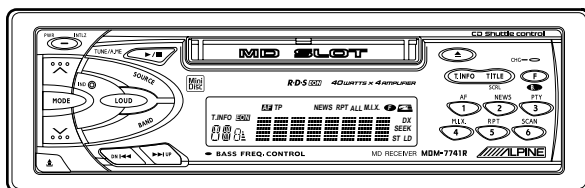




MDM-7741R

FM/MW/LW/RDS MD Receiver

- **OWNER'S MANUAL**
Please read before using this equipment.
- **BEDIENUNGSANLEITUNG**
Lesen Sie diese Bedienungsanleitung bitte vor Gebrauch des Gerätes.
- **MODE D'EMPLOI**
Veuillez lire avant d'utiliser cet appareil.
- **MANUAL DE OPERACIÓN**
Léalo antes de utilizar este equipo.
- **ISTRUZIONI PER L'USO**
Si prega di leggere prima di utilizzare il attrezzatura.
- **ANVÄNDARHANDLEDNING**
Innan du använder utrustningen bör du läsa igenom denna användarhandledning.



ALPINE ELECTRONICS, INC.
Tokyo office: 1-1-8 Nishi Gotanda,
Shinagawa-ku,
Tokyo 141-8501, Japan
Tel.: (03) 3494-1101

ALPINE ELECTRONICS OF AMERICA, INC.
19145 Gramercy Place, Torrance,
California 90501, U.S.A.
Tel.: 1-800-ALPINE-1 (1-800-257-4631)

ALPINE ELECTRONICS OF CANADA, INC.
Suite 203, 7300 Warden Ave. Markham,
Ontario L3R 9Z6, Canada
Tel.: 1-800-ALPINE-1 (1-800-257-4631)

ALPINE ELECTRONICS OF AUSTRALIA PTY. LTD.
6-8 Fiveways Boulevard Keysborough,
Victoria 3173, Australia
Tel.: (03) 9769-0000

ALPINE ELECTRONICS GmbH
Kreuzerkamp 7-11 40878 Ratingen, Germany
Tel.: 02102-45 50

ALPINE ITALIA S.p.A.
Via C. Colombo 8, 20090 Trezzano Sul Naviglio
MI, Italy
Tel.: 02-48 47 81

ALPINE ELECTRONICS FRANCE S.A.R.L.
(RCS PONTOISE B 338 101 280)
98, Rue De La Belle Etoile, Z.I. Paris Nord II
B.P. 50016 F-95945, Roissy, Charles De Gaulle
Cedex, France
Tel.: 01-48 63 89 89

ALPINE ELECTRONICS OF U.K., LTD.
13 Tanners Drive, Blakelands, Milton Keynes
MK14 5BU, U.K.
Tel.: 01908-61 15 56

ALPINE ELECTRONICS DE ESPAÑA, S.A.
Portal De Gamarra 36, Pabellón 32
01013 Vitoria (Alava)-Apdo. 133, Spain
Tel.: 34-45-283588

EN

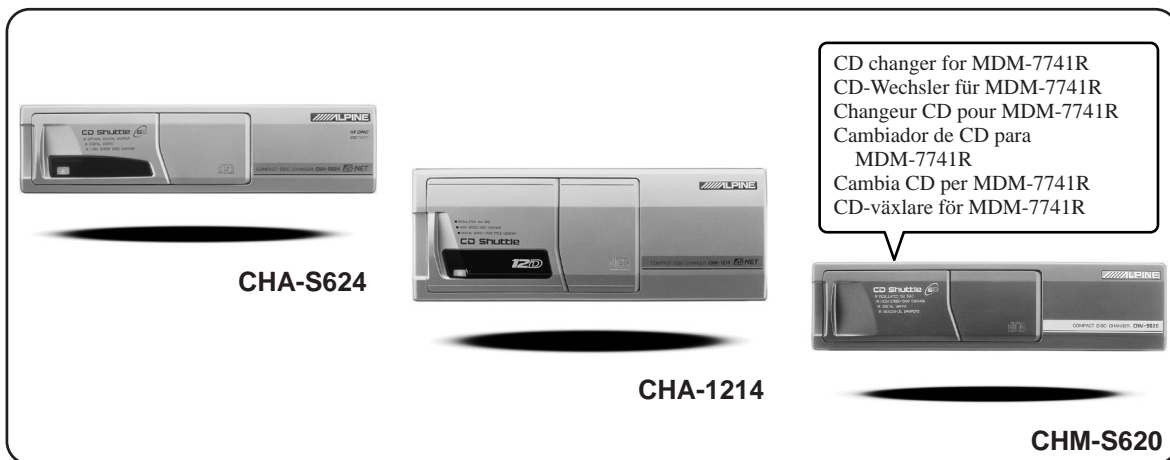
DE

FR

ES

IT

SE



Alpine CD Changers Give You More!

More musical selections, more versatility, more convenience.

An Alpine CD Changer adds more musical choices to your sound system. All models can be controlled from Alpine head units and deliver excellent sound quality. The CHA-S624 is a high-performance 6-disc changer with a new M DAC, Ai-NET compatibility, Optical Digital Output, 150 Disc Title Memory and CD TEXT. The CHA-1214 Ai-NET model holds 12 discs, and the CHM-S620 M-Bus model is a super-compact 6-disc changer.

Von Alpine CD-Wechslern haben Sie mehr!

Mehr Musikauswahl, mehr Vielseitigkeit, mehr Komfort.

Mit einem Alpine CD-Wechsler erweitern Sie die Musikauswahl Ihres Systems. Sämtliche Modelle lassen sich von einer Alpine-Bedieneinheit aus steuern und liefern hervorragende Klangqualität. Der CHA-S624 ist ein Ai-NET-kompatibler Hochleistungs-Wechsler für 6 CDs mit dem neuen M-DAC, Digitalausgang für Glasfaserkabel, CD-Titelspeicher für 150 Titel und CD-TEXT. Das Ai-NET-Modell CHA-1214 nimmt 12 CDs auf, und der M-Bus-kompatible CHM-S620 ist ein superkompakter Wechsler für 6 CDs.

Changeurs de CD Alpine : vous avez le choix!

Plus de sélections musicales, plus de souplesse, plus de confort.

Un changeur de CD Alpine permet d'augmenter la plage des sélections musicales de votre système embarqué. Tous les modèles peuvent être contrôlés à partir des autoradios Alpine et offrent une excellente qualité audio. Le modèle CHA-S624 est un changeur 6 disques ultra performant compatible Ai-NET et équipé d'un convertisseur N/A standard, d'une sortie optique numérique, d'une mémoire d'une capacité de 150 titres et de la fonction CD TEXT. Le modèle CHA-1214 Ai-NET peut contenir 12 disques. Le modèle CHM-S620 M-Bus est un changeur 6 disques super compact.

¡Los cambiadores Alpine de CD le ofrecen más!

Más selecciones musicales, más versatilidad y más ventajas.

Un cambiador Alpine de CD añade más opciones musicales a su equipo de sonido. Todos los modelos pueden controlarse desde las unidades principales de Alpine y proporcionar un sonido de calidad excepcional. El modelo CHA-S624 es un cambiador de 6 discos de alto rendimiento con el nuevo DAC "M" y compatibilidad con Ai-NET, salida digital óptica, memoria de títulos de 150 discos y TEXTO CD. El modelo CHA-1214 Ai-NET admite 12 discos y el modelo CHM-S620 Bus-M es un cambiador de 6 discos y tamaño reducido.

I caricatori CD Alpine danno di più!

Più scelta, più versatilità, più comodità.

Un caricatore CD Alpine offre maggiore scelta. Tutti i modelli possono essere controllati tramite le unità di controllo Alpine e producono un suono di qualità eccellente. CHA-S624 è un caricatore a 6 dischi Ai NET compatibile e dotato di un nuovo M DAC, di un'uscita ottica digitale, memorizzazione dei titoli di 150 dischi e CD TEXT. Il modello CHA-1214 Ai NET può contenere un massimo di 12 dischi, mentre il modello CHM-S620 M-Bus è un caricatore a 6 dischi ultra compatto.

Alpines CD-växlare ger mer!

Fler musikval, mer variation, större bekvämlighet.

Med Alpines CD-växlare i systemet får du större musikalisk valfrihet. Alla modeller kan styras från Alpines huvudenheter och ger enastående ljudkvalitet. CHA-S624 är en högpresterande växlare för 6 skivor med en ny M D/A-omvandlare, kompatibel med Ai-NET, optisk digitalutgång, titelminne för 150 skivor och CD-TEXT. Modellen CHA-1214 Ai-NET rymmer 12 skivor och modellen CHM-S620 M-Bus är en superkompakt växlare för 6 skivor.

Contents

Operating Instructions

WARNING

WARNING	2
CAUTION	2
PRECAUTIONS	2

Basic Operation

Detaching the Front Panel	4
Attaching the Front Panel	4
Initial System Start-Up	4
Turning Power On and Off	4
Subwoofer On and Off	5
Adjusting Source Signal Levels	5
Adjusting Volume/Bass/Treble/ Balance (Between Left and Right)/ Fader (Between Front and Rear)	5
Turning Loudness On/Off	5
Setting Bass Frequency	5
Adjusting the Contrast	5

Radio Operation

Manual Tuning	6
Setting Frequency Step	6
Automatic Seek Tuning	6
Manual Storing of Station Presets	7
Automatic Memory of Station Presets	7
Tuning to Preset Stations	7

RDS Operation

Setting RDS Reception Mode and Receiving RDS Stations	8
Recalling Preset RDS Stations	8
Receiving RDS Regional (Local) Stations	9
Receiving Traffic Information	9
PTY (Programme Type) Tuning	9
Receiving Traffic Information While Playing MD or Radio	10
Priority News	10

MD Player Operation

Normal Play and Pause	11
Music Sensor (Skip)	11
Fast Forward and Backward	11
Repeat Play	12
M.I.X. (Random Play)	12
Scanning Programmes	12
To Display MD Title	13
Controlling CD Changer (Optional)	13

Information

In Case of Difficulty	14
Specifications	15

Installation and Connections

Warning	16
Caution	16
Precautions	16
Installation	17
Connection	18

• US and foreign patents licensed from Dolby Laboratories Licensing Corporation.

WARNING

WARNING

This symbol means important instructions. Failure to heed them can result in serious injury or death.

DO NOT OPERATE ANY FUNCTION THAT TAKES YOUR ATTENTION AWAY FROM SAFELY DRIVING YOUR VEHICLE.

Any function that requires your prolonged attention should only be performed after coming to a complete stop. Always stop the vehicle in a safe location before performing these functions. Failure to do so may result in an accident.

KEEP THE VOLUME AT A LEVEL WHERE YOU CAN STILL HEAR OUTSIDE NOISE WHILE DRIVING.

Failure to do so may result in an accident.

MINIMIZE DISPLAY VIEWING WHILE DRIVING.

Viewing the display may distract the driver from looking ahead of the vehicle and cause an accident.

DO NOT DISASSEMBLE OR ALTER.

Doing so may result in an accident, fire or electric shock.

USE THIS PRODUCT FOR MOBILE 12V APPLICATIONS.

Use for other than its designed application may result in fire, electric shock or other injury.

USE THE CORRECT AMPERE RATING WHEN REPLACING FUSES.

Failure to do so may result in fire or electric shock.

DO NOT EXPOSE THIS PRODUCT TO RAIN OR MOISTURE.

Doing so may result in fire or electric shock.

DO NOT BLOCK VENTS OR RADIATOR PANELS.

Doing so may cause heat to build up inside and may result in fire.

CAUTION

This symbol means important instructions. Failure to heed them can result in injury or material properly damage.

HALT USE IMMEDIATELY IF A PROBLEM APPEARS.

Failure to do so may cause personal injury or damage to the product. Return it to your authorized Alpine dealer or the nearest Alpine Service Centre for repairing.

DO NOT PLACE HANDS, FINGERS OR FOREIGN OBJECTS IN INSERTION SLOTS OR GAPS.

Doing so may result in personal injury or damage to the product.

PRECAUTIONS

Temperature

Be sure the temperature inside the vehicle is between +60°C (+140°F) and -10°C (+14°F) before turning your unit on.

Moisture Condensation

You may notice the Disc playback sound wavering due to condensation. If this happens, remove the disc from the player and wait about an hour for the moisture to evaporate.

Damaged Disc

Do not attempt to play cracked, warped, or damaged discs. Playing a bad disc could severely damage the playback mechanism.

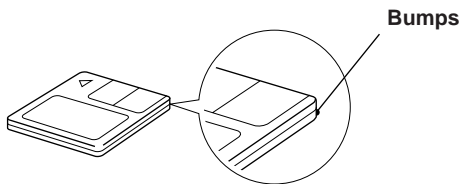
Maintenance

If you have problems, do not attempt to repair the unit yourself. Return it to your Alpine dealer or the nearest Alpine Service Station for servicing.

New Discs

Before inserting an MD

Never install warped or irregular shaped MD into this unit. Use your finger to feel around the outer edge of the MD to make sure there are no irregularities. Inserting defective or damaged MD could severely damage the mechanism.



Using an MD

Check and ensure the following:

Under no circumstances should you open the MD's shutter and touch the inside of the disc. Do not expose the MD to direct sunlight. Place only 1 label in its proper position. Make sure the MD is clean before inserting into the player.

Sound Skips

Playing an MD while driving on a very bumpy road may result in skips, but this will not damage the player.

Installation Location

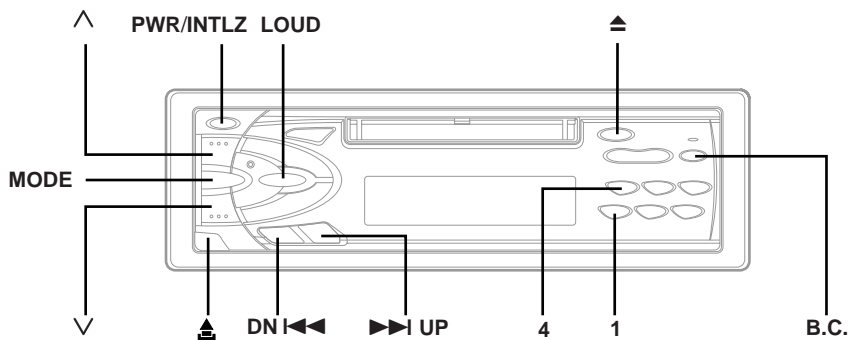
Make sure the MDM-7741R will not be exposed to:

- Direct sun and heat
- High humidity
- Excessive dust
- Excessive vibrations


Handling the Detachable Front Panel

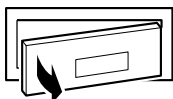
- Do not expose to rain or water.
- Do not drop or apply shock.

Basic Operation



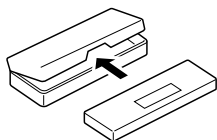
Detaching the Front Panel

- 1 Press the **PWR** (Power) button to turn off the power.
- 2 Press the  (Release) button at lower left corner until the front panel pops out.
- 3 Grasp the left side of the front panel and pull it out.



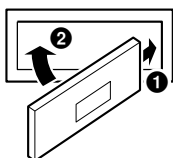
NOTES

- The front panel may become hot in normal usage (especially the connector terminals), this is not malfunction.
- To protect the front panel, place it in the supplied carrying case.



Attaching the Front Panel

- 1 First, insert the right side of the front panel into the main unit. Align the 2 small holes on the front panel with the 2 projections on the main unit.
- 2 Push the left side of the front panel until it locks firmly into the main unit.



NOTE

Before attaching the front panel, make sure that there is no dirt or dust on the connector terminals and no foreign object between the front panel and the main unit.

• Controllable with Remote Control

This unit can be controlled with an optional Alpine remote control. For details, consult your Alpine dealer.

• Connectable to Remote Control Interface Box

You can operate this unit from the vehicle's control unit when an Alpine Remote Control Interface Box (optional) is connected. For details, contact your Alpine dealer.

Initial System Start-Up

Immediately after installing or applying power to the unit, it should be initialized. To do this, first, remove the detachable front panel. Behind the front panel, to the right of the connector, there is a small hole. Using a ballpoint pen or other pointed object, press the **RESET** switch mounted behind this hole to complete the initialization procedure.




RESET switch



Turning Power On and Off

- 1 Press the **PWR** (Power) button to turn on the unit.

NOTE

The unit can be turned on by pressing any other button except the eject  button.

The volume level gradually increases to the previous level you were listening to before the unit was turned off. Press the **PWR** button to turn off the unit.

NOTE

The very first time the power is turned on, the volume will start from level 12, in the tuner mode, and the **LOUD** function will be on.

Subwoofer On and Off

- 1 Press and hold the **▲** (Eject) button for at least 3 seconds.
With each press, subwoofer is toggled On or Off.

NOTES

- Initial mode is "SUBW OFF."
- Set to "SUBW OFF" unless the subwoofer is used.
- When the subwoofer is turned on, the subwoofer output level can be adjusted. For more details, refer to the Adjusting Volume/Bass/Treble/Balance/Fader.

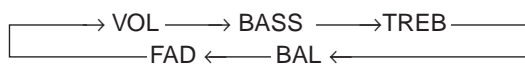
Adjusting Source Signal Levels

If the difference in volume level between the MD player and FM radio is too great, adjust the FM signal level as follows.

- 1 Press and hold the **INTLZ** button for at least 3 seconds.
- 2 Press the **Preset 1** button to select the FM signal level HI (High) or LO (Low) to make the signal levels between the FM band and MD player closer.
- 3 Press the **INTLZ** button for more than 3 seconds to cancel the adjusting mode.

Adjusting Volume/Bass/Treble/Balance (Between Left and Right)/Fader (Between Front and Rear)

- 1 Press the **MODE** button repeatedly to choose the desired mode.
Each press changes the modes as follows:



NOTES

- If the **▼** or **▲** button is not pressed in 5 seconds after selecting the **BASS**, **TREBLE**, **BALANCE**, or **FADER** mode, the unit automatically sets in the **VOLUME** mode.
- When the subwoofer is set to **ON**, the level of the subwoofer can be adjusted.

- 2 Press the **▼** and **▲** buttons until the desired sound is obtained in each mode.

NOTE

The settings of the Bass and Treble will be individually memorized for each source (FM, MW(LW) and MD) until the setting is changed. Depending on the connected devices, some functions and display indications do not work.

Turning Loudness On/Off

Loudness introduces a special low- and high-frequency emphasis at low listening levels. This compensates for the ear's decreased sensitivity to bass and treble sound.

- 1 Press the **LOUD** button to activate or deactivate the loudness mode.
The display shows "LD" when the loudness mode is activated.

Setting Bass Frequency

The bass control centre frequency can be set at 60, 80, 100 or 200 Hz.

- 1 Press and hold the **B.C.** (Bass Control) button for at least 3 seconds to turn on the bass control settings.
- 2 Press the **DN** **◀◀** or **▶▶** **UP** button to select the desired Bass centre frequency.
Each press changes the centre frequency as follows: 60 Hz, 80 Hz, 100 Hz and 200 Hz.
- 3 Press the **B.C.** (Bass Control) button for more than 3 seconds to turn off the bass control settings.

NOTE

If no buttons are pressed within 5 seconds, the bass control settings will be turned off automatically.

NOTE

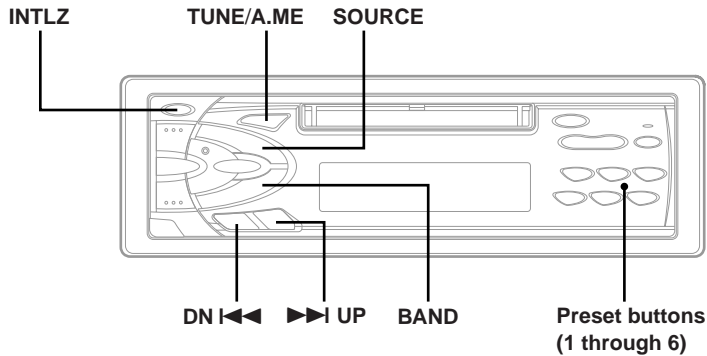
Initial mode is 80Hz.

Adjusting the Contrast

It is possible to adjust the display contrast in case the display is difficult to view.

- 1 Press and hold the **INTLZ** button for at least 3 seconds.
- 2 Press the **Preset 4** button to select the contrast adjusting mode.
- 3 Press the **DN** **◀◀** or **▶▶** **UP** button to adjust the contrast.
The contrast can be adjusted between levels of -5 and +5.
- 4 Press the **INTLZ** button for more than 3 seconds to activate the normal mode.

Radio Operation



Manual Tuning

- 1 Press the **SOURCE** button until a radio frequency appears in the display.
- 2 Press the **BAND** button repeatedly until the desired radio band is displayed. Each press changes the band:

→ F1 → F2 → MW → LW →
- 3 Press the **TUNE** button repeatedly until "DX SEEK" and "SEEK" disappear from the display.

NOTE

The initial mode is DX SEEK.

- 4 Press the **DN I<<<** or **>>> I UP** button to move downward or upward one step respectively until the desired station frequency is displayed.

NOTE

The ST indicator appears on the display when a Stereo FM station is tuned in.

Setting Frequency Step

When you tune in FM stations automatically, you can set the frequency step to 50kHz or 100 kHz.

- 1 Press and hold the **INTLZ** button for at least 3 seconds to enter the Setting mode.
- 2 Press the **Preset 6** button to select the desired frequency step (50 kHz or 100kHz.) Each time you press the **Preset 6** button, 50 kHz and 100 kHz appear alternately.
50 kHz: the unit tunes in FM stations every 50 kHz automatically.
100 kHz: the unit tunes in FM stations every 100 kHz automatically
- 3 Press the **INTLZ** button for more than 3 seconds to exit the Setting mode.

Automatic Seek Tuning

- 1 Press the **SOURCE** button until a radio frequency appears in the display.
- 2 Press the **BAND** button repeatedly until the desired radio band is displayed. Each press changes the band:

→ F1 → F2 → MW → LW →
- 3 Press the **TUNE** button to illuminate the DX and SEEK indicators in the display. With the DX (Distance) mode activated, both strong and weak stations will be tuned in the Auto-Seek operation. Press again to return to the local mode. The DX indicator will turn off and the SEEK indicator will remain illuminated. Now, only strong stations will be tuned.
- 4 Press the **DN I<<<** or **>>> I UP** button to automatically seek for a station downward or upward respectively. The unit will stop at the next station it finds. Press the same button again to seek the next station.

Manual Storing of Station Presets

- 1** Select the radio band and tune in a desired radio station you wish to store in the preset memory.
- 2** Press and hold any one of the **Preset buttons (1 through 6)** for at least 2 seconds until the station frequency on the display blinks.
- 3** Press the **Preset** button into which you wish to store the station while the frequency display is blinking (within 5 seconds).
The display stops blinking once the station has been memorized. The display shows the band, preset No. with a triangle (\triangle) and station frequency memorized.
- 4** Repeat the procedure to store up to 5 other stations onto the same band.
To use this procedure for other bands, simply select the band desired and repeat the procedure.
A total of 24 stations can be stored in the preset memory (6 stations for each band; F1, F2, MW and LW).

NOTE

If you store a station in a preset memory which already has a station, the current station will be cleared and replaced with the new station.

Automatic Memory of Station Presets

- 1** Press the **SOURCE** button to select the radio mode.
- 2** Press the **BAND** button repeatedly until the desired radio band is displayed.
- 3** Press and hold the **A. ME** button for at least 2 seconds.
The frequency on the display continues to change while the automatic memory is in progress. The tuner will automatically seek and store 6 strong stations in the selected band. They will be stored into presets 1 to 6 buttons in order of signal strength.
When the automatic memory has been completed, the tuner goes to the station stored in the preset location No. 1.

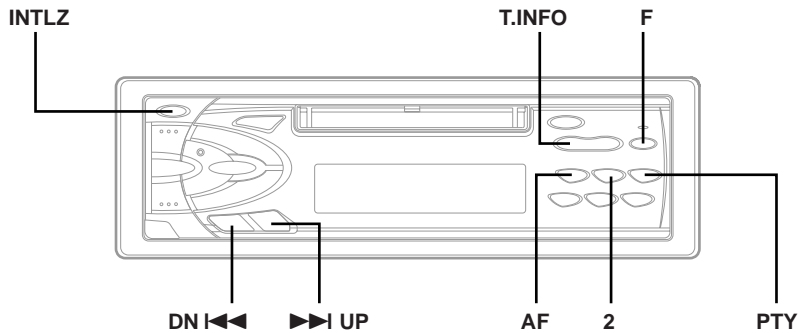
NOTE

If no stations are stored, the tuner will return to the original station you were listening to before the auto memory procedure began.

Tuning to Preset Stations

- 1** Press the **SOURCE** button to select the radio mode.
- 2** Press the **BAND** button repeatedly until the desired band is displayed.
- 3** Press the station **Preset** button that has your desired radio station in memory.
The display shows the band, preset number with a triangle and frequency of the station selected.

RDS Operation



Setting RDS Reception Mode and Receiving RDS Stations

The RDS (Radio Data System) is a radio information system using the 57 kHz subcarrier of regular FM broadcast. The RDS allows you to receive a variety of information such as traffic information, station names, and to automatically re-tune to a stronger transmitter that is broadcasting the same programme.

- 1 Press the **F** button so that the F indicator lights up.
- 2 Press the **AF** button to activate the RDS mode.
- 3 Press the **DN I<<<** or **>>> I UP** button to tune in the desired RDS station.

NOTE

When the **BAND** button is pressed and held for more than 2 seconds while a station name is displayed, the display shows the station frequency for 5 seconds.

- 4 Press the **AF** button again to deactivate the RDS mode.
- 5 Press the **F** button to activate the normal mode. The F indicator light goes out.

Tips

The RDS digital data includes the followings:

PI	Programme Identification
PS	Programme Service Name
AF	List of Alternative Frequencies
TP	Traffic Programme
TA	Traffic Announcement
PTY	Programme Type
EON	Enhanced Other Networks

Recalling Preset RDS Stations

- 1 Press the **F** button so that the F indicator lights up.
- 2 Press the **AF** button to activate the RDS mode. The display shows "AF" when the RDS mode is activated.
- 3 Press the **F** button to activate the normal mode. The F indicator light goes out.
- 4 Make sure that the F indicator light goes out, then press the preset location button in which your desired RDS station is preset. If the preset station's signal is weak, the unit automatically searches and tunes to a stronger station in the AF (Alternative Frequencies) list.
- 5 If the preset station and the stations in the AF list cannot be received: The unit searches again for a station in the PI (Programme Identification) list. If there are still no stations receivable in the area, the unit displays the frequency of the preset station and the preset indicator disappears.

NOTE

For presetting the RDS stations, refer to the Radio Operation section. The RDS stations can be preset in the F1 and F2 bands only.

Receiving RDS Regional (Local) Stations

- 1 Press and hold the **INTLZ** button for at least 3 seconds to activate the setting mode.
- 2 Press the **Preset 2** button to turn on or off the REG (Regional) mode.
In the REG OFF mode, the unit automatically keeps receiving the related local RDS station.
- 3 Press the **INTLZ** button for more than 3 seconds to deactivate the setting mode.

Receiving Traffic Information

- 1 Press the **T.INFO** button repeatedly until the T.INFO indicator appears in the display.
- 2 Press the **DN I◀◀** or **▶▶ UP** button to select your desired traffic information station. When a traffic information station is tuned in, the TP indicator lights up.

Traffic information is heard only when it is being broadcast. If traffic information is not being broadcast, the unit is set in the standby mode. When a traffic information broadcast begins, the unit automatically receives it and the display shows "TRF-INFO" for a few seconds and returns to the PS display.

When the traffic information broadcast is over, the unit will automatically set in the standby mode.

NOTES

- If the traffic information broadcast signal falls below a certain level, the unit remains in the receiving mode for 1 minute. If the signal remains below a certain level for over 1 minute, the "T.INFO" indicator blinks.
- If you do not want to listen to the traffic information being received, lightly press the T.INFO button to skip that traffic information message. The T.INFO mode will remain in the ON position to receive the next traffic information message.
- If the volume level is changed while receiving traffic information, the changed volume level will be memorized. When traffic information is received next time, the volume level will be automatically adjusted to the level memorized.

PTY (Programme Type) Tuning

- 1 Press the **F** button so that the F indicator lights up.
- 2 Press the **PTY** button to activate the PTY mode. The Programme Type of the station being currently received will be displayed for 5 seconds.
 - If there is no receivable PTY broadcast, "NO PTY" will be displayed for 5 seconds.

NOTE

If no button is pressed within 5 seconds after pressing the PTY button, the PTY mode will be automatically cancelled.

- 3 Press the **DN I◀◀** and **▶▶ UP** buttons within 5 seconds after activating the PTY mode to choose the desired programme type while the PTY (programme type) is being displayed. Each press scrolls the programme type by one.

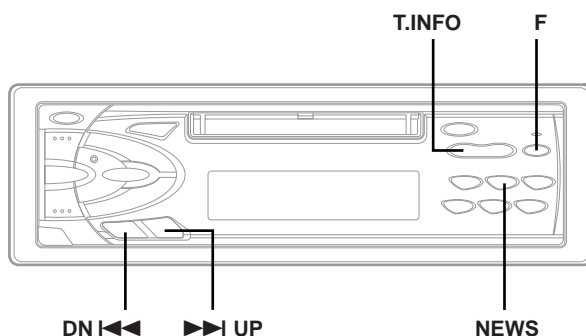
□ -LIGHT M ← CLASSICS → OTHER M □
└-----┘

- 4 Press the **PTY** button within 5 seconds after selecting the programme type to start searching for a station in the selected programme type. The chosen programme type indicator blinks during searching and lights when a station is found.

If no PTY station is found, "NO PTY" will be displayed for 2 seconds.

- 5 Press the **F** button to activate the normal mode. The F indicator lights goes out.

RDS Operation



Receiving Traffic Information While Playing MD or Radio

- 1 Press the **T.INFO** button repeatedly until the T.INFO indicator appears in the display.
- 2 Press the **DN I<<<** and **>>> I UP** buttons to select a traffic information station if necessary.
 - When a traffic information broadcast starts, the unit automatically mutes the MD player/ changer or the regular FM broadcast.
 - When the traffic information broadcast finishes, the unit automatically returns to the original source play before the traffic information broadcast began.

When traffic information stations cannot be received:

In the tuner mode:

When the TP signal can no longer be received for over 1 minute, the "T.INFO" indicator blinks.

In the MD mode:

When the TP signal can no longer be received, the traffic information station of another frequency will be selected automatically.

NOTE

The receiver is equipped with the EON (Enhanced Other Networks) function in order to keep track of additional alternate frequencies to the AF list. The EON indicator appears while an RDS EON station is being received. If the station being received does not broadcast the traffic information, the receiver automatically tunes in the related station that broadcasts the traffic information when it occurs.

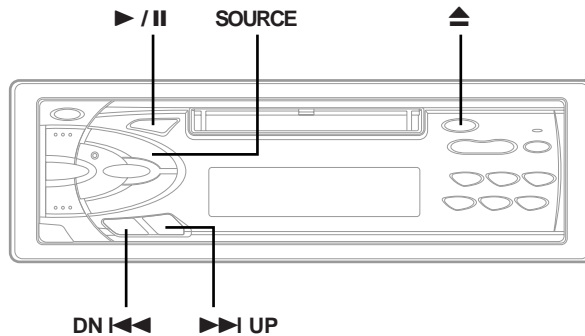
- 3 Press the **T.INFO** button to deactivate the Traffic Information mode.
The T.INFO indicator disappears.

Priority News

This function allows you to preset to give priority to the News programme. You will never miss the News programme as the unit automatically gives priority to the News programme whenever it begins broadcasting, and interrupts the programme you are currently listening. This feature is functional when your unit is set to a mode other than the LW and MW modes.

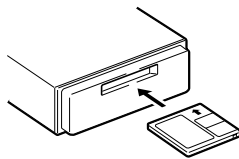
- 1 Press the **F** button so that the F indicator lights up.
 - 2 Press the **NEWS** button to activate the PRIORITY NEWS mode.
"NEWS" lights up in the display.
 - To disable the PRIORITY NEWS function, press the **NEWS** button.
- NOTE**
In the PRIORITY NEWS function, unlike in the T.INFO function, the volume does not increase automatically.
- 3 Press the **F** button to activate the normal mode.
The F indicator light goes out.

MD Player Operation



Normal Play and Pause

- 1 Insert a MD. The MD player begins playback from the first track on the MD.



When an MD is already inserted, press the **SOURCE** button to set the mode to MD. The mode will change each time the button is pressed.

NOTE

Insert the MD in the direction the arrow indicates with the label facing up.

- 2 Press the ▶/|| button during MD play to temporarily pause the MD play.

To resume the MD play, press the ▶/|| button again.

- 3 Press the ▲ (Eject) button when you want to eject the MD.

NOTES

- Insert only one MD at a time into the unit.
- Make sure the MD is clean before inserting into the unit.
- Do not insert MDs with layered or peeling labels.
- Do not insert an MD with the ignition off. Forcing an MD into the unit will cause damage to the mechanism.
- Do not pull on the MD when it is being inserted automatically into the unit.

Music Sensor (Skip)

- 1 Momentarily press the DN I<<< button once to return to the beginning of the current track. If you wish to access the beginning of a track further back, repeatedly press until you reach the desired track.

Press the >>> I UP button once to advance to the beginning of the next track. If you wish to access the beginning of a track further ahead, press repeatedly until the desired track is reached.

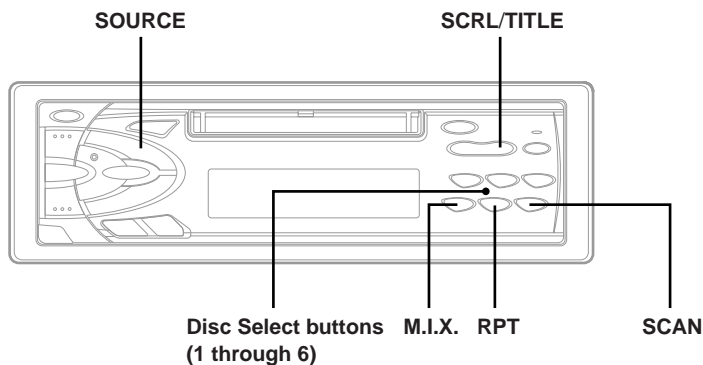
NOTE

The music sensor feature is functional in the play or pause mode.

Fast Forward and Backward

- 1 Press and hold the DN I<<< or >>> I UP button to quickly move backward or forward until you reach the desired section of the track.

MD Player Operation



Repeat Play

- 1 Press the **RPT** (Repeat) button to play back repeatedly the track being played. The RPT indicator appears and the track will be played repeatedly.

Press the **RPT** button again and select OFF to deactivate the repeat play.

NOTE

If a CD changer is connected and the RPT ALL mode is selected, the unit repeatedly plays back all tracks on the disc selected.



NOTE

*In case a 6-disc CD changer is connected:
In CD changer mode, press the "F" button to illuminate the "F" indicator and go to step 1.*

Scanning Programmes

- 1 Press the **SCAN** button to activate the Scan mode. The first 10 seconds of each track will be played back in succession.

To stop scanning, press the **SCAN** button and deactivate the Scan mode.

NOTE

*In case a 6-disc CD changer is connected:
In CD changer mode, press the "F" button to illuminate the "F" indicator and go to step 1.*

M.I.X. (Random Play)

- 1 Press the **M.I.X.** button in the play or pause mode. The M.I.X. indicator will illuminate and the tracks on the disc will be played back in a random sequence. After all the tracks on the disc have been played back once, the player will begin a new random sequence play until the M.I.X. mode is cancelled.

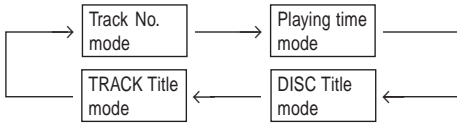
To cancel M.I.X. play, press the **M.I.X.** button again to turn off the M.I.X.

NOTE

*In case a 6-disc CD changer is connected:
In CD changer mode, press the "F" button to illuminate the "F" indicator and go to step 1.*

To Display MD Title

- 1 Press the **TITLE** button during play back of MD. Select the DISC title or TRACK title mode.



NOTE

If no MD title nor track name has been entered, "NO TITLE" will be displayed.

- 2 For title displays exceeding 8 characters, press and hold the **SCRL** button for at least 3 seconds. The title is scrolled one line at a time. After the scrolling is completed, the unit returns to the normal mode.

NOTES

- Some characters may not be displayed correctly with this device, depending on the character type.
- Scrolling may be automatic in some cases.

Controlling CD Changer (Optional)

If an optional Alpine 6-disc CD Changer is connected to the 8-pin DIN connector (M-Bus) of the MDM-7741R, you can control the CD changer using the MDM-7741R.

NOTE

The CD controls on the MDM-7741R for the CD changer operation are functional only when the CD changer is interconnected with the MDM-7741R.

- 1 Press the **SOURCE** button to activate the CHANGER mode. The display shows the disc number and track number.
- 2 Press the **Disc Select buttons (1 through 6)** corresponding to one of the discs loaded in the CD changer. The selected disc number appears in the display and CD playback starts.

NOTES

- After selecting the desired disc, you can operate in the same way as for the MD player. For details, please see the MD Player Operation section.
- If the "F" indicator is illuminated the Disc Select buttons become nonfunctional.

Information

In Case of Difficulty

If you encounter a problem, please review the items in the following checklist. This guide will help you isolate the problem if the unit is at fault. Otherwise, make sure the rest of your system is properly connected or consult your authorized Alpine dealer.

Basic

No function or display.

- Vehicle's ignition is off.
 - If connected following instructions, the unit will not operate with the vehicle's ignition off.
 - Improper power lead connections.
 - Check power lead connections.
 - Blown fuse.
 - Check the fuse on the battery lead of the unit; replace with the proper value if necessary.
 - Internal micro-computer malfunctioned due to interference noise etc.
 - Press the RESET switch with a ballpoint pen or other pointed article.
-

Radio

Unable to receive stations.

- No antenna or open connection in cable.
 - Make sure the antenna is properly connected; replace the antenna or cable if necessary.

Unable to tune stations in the seek mode.

- You are in a weak signal area.
 - Make sure the tuner is in the DX mode.
- If the area you are in is a primary signal area, the antenna may not be grounded and connected properly.
 - Check your antenna connections; make sure the antenna is properly grounded at its mounting location.
- The antenna may not be the proper length.
 - Make sure the antenna is fully extended; if broken, replace the antenna with a new one.

Broadcast is noisy.

- The antenna is not the proper length.
 - Extend the antenna fully; replace it if it is broken.
 - The antenna is poorly grounded.
 - Make sure the antenna is grounded properly at its mounting location.
-

MD

The MD could not be inserted.

- Another MD is already inserted.
 - Eject the inserted MD and insert the MD.
- The MD is inserted incorrectly.
 - Insert the MD correctly.

Sound skips due to vibration.

- Improper mounting.
 - Securely re-mount the unit.

Sound skips without vibration.

- Dirty or scratched MD. Bad recording condition.
 - Change the MD.

The play back won't start.

- Dirty or scratched MD. Bad recording condition. A non-recorded MD. Not a music MD.
 - Change the MD.
- Dew condensation.
 - Wait for a while before using.

The power turns on but the playback won't start.

- The sound volume level of the head unit is adjusted to minimum.
 - Increase the sound volume of the head unit.

Error displays (built-in MD player only)

- Mechanical error
 - Press the ▲ button. After the error indication disappears, insert the disc again. If the above-mentioned solution does not solve the problem, consult your nearest ALPINE dealer.

Indication for CD Changer

HI TEMP

- Protective circuit is activated due to high temperature.
 - The indicator will disappear when the temperature returns to within operation range.
-

ERROR

- Malfunction in the CD changer.
 - Consult your Alpine dealer. Press the magazine eject button and pull out the magazine. Check the indication. Insert the magazine again. If the magazine cannot be pulled out, consult your Alpine dealer.
 - Magazine ejection not possible.
 - Press the magazine eject button. If the magazine does not eject, consult your Alpine dealer.
-

NO MAGZN

- No magazine is loaded into the CD changer.
 - Insert a magazine.
-

NO DISC

- No indicated disc.
 - Choose another disc.
-

Specifications

FM TUNER SECTION

Tuning Range	87.5 – 108.0 MHz
Mono Usable Sensitivity	0.7 μ V
Alternate Channel Selectivity	80 dB
Signal-to-Noise Ratio	65 dB
Stereo Separation	35 dB

MW TUNER SECTION

Tuning Range	531 – 1,602 kHz
Sensitivity (IEC Standard)	25.1 μ V/28 dB

LW TUNER SECTION

Tuning Range	153 – 281 kHz
Sensitivity (IEC Standard)	31.6 μ V/30 dB

MD SECTION

Frequency Response	5 – 20,000 Hz (\pm 1 dB)
Wow & Flutter (% WRMS)	Below measurable limits
Dynamic Range	90 dB (at 1 kHz)
Signal-to-Noise Ratio	105 dB

GENERAL

Power Requirement	14.4 V DC (11–16 V allowable)
Maximum Power Output	40 W \times 4
Output Voltage	2 V/10k ohms
Bass	\pm 14 dB at 60 Hz
Treble	\pm 14 dB at 10 kHz
Weight	1.1 kg (2 lbs. 6.8 oz)

CHASSIS SIZE

Width	178 mm (7")
Height	50 mm (2")
Depth	155 mm (6-1/8")

NOSEPIECE SIZE

Width	170 mm (6-3/4")
Height	46 mm (1-13/16")
Depth	21.5 mm (7/8")

Due to continuous product improvement, specifications and design are subject to change without notice.

Installation and Connections

Before installing or connecting the unit, please read the following and pages 2 and 3 of this manual thoroughly for proper use.

Warning

MAKE THE CORRECT CONNECTIONS.

Failure to make the proper connections may result in fire or product damage.

USE ONLY IN CARS WITH A 12 VOLT NEGATIVE GROUND.

(Check with your dealer if you are not sure.) Failure to do so may result in fire, etc.

BEFORE WIRING, DISCONNECT THE CABLE FROM THE NEGATIVE BATTERY TERMINAL.

Failure to do so may result in electric shock or injury due to electrical shorts.

DO NOT ALLOW CABLES TO BECOME ENTANGLED IN SURROUNDING OBJECTS.

Arrange wiring and cables in compliance with the manual to prevent obstructions when driving. Cables or wiring that obstruct or hang up on places such as the steering wheel, gear lever, brake pedals, etc. can be extremely hazardous.

DO NOT SPLICE INTO ELECTRICAL CABLES.

Never cut away cable insulation to supply power to other equipment. Doing so will exceed the current carrying capacity of the wire and result in fire or electric shock.

DO NOT DAMAGE PIPE OR WIRING WHEN DRILLING HOLES.

When drilling holes in the chassis for installation, take precautions so as not to contact, damage or obstruct pipes, fuel lines, tanks or electrical wiring. Failure to take such precautions may result in fire.

DO NOT USE BOLTS OR NUTS IN THE BRAKE OR STEERING SYSTEMS TO MAKE GROUND CONNECTIONS.

Bolts or nuts used for the brake or steering systems (or any other safety-related system), or tanks should NEVER be used for installations or ground connections. Using such parts could disable control of the vehicle and cause fire etc.

KEEP SMALL OBJECTS SUCH AS BOLTS OR SCREWS OUT OF THE REACH OF CHILDREN.

Swallowing them may result in serious injury. If swallowed, consult a physician immediately.

Caution

HAVE THE WIRING AND INSTALLATION DONE BY EXPERTS.

The wiring and installation of this unit requires special technical skill and experience. To ensure safety, always contact the dealer where you purchased this product to have the work done.

USE SPECIFIED ACCESSORY PARTS AND INSTALL THEM SECURELY.

Be sure to use only the specified accessory parts. Use of other than designated parts may damage this unit internally or may not securely install the unit in place. This may cause parts to become loose resulting in hazards or product failure.

ARRANGE THE WIRING SO IT IS NOT CRIMPED OR PINCHED BY A SHARP METAL EDGE.

Route the cables and wiring away from moving parts (like the seat rails) or sharp or pointed edges. This will prevent crimping and damage to the wiring. If wiring passes through a hole in metal, use a rubber grommet to prevent the wires insulation from being cut by the metal edge of the hole.

DO NOT INSTALL IN LOCATIONS WITH HIGH MOISTURE OR DUST.

Avoid installing the unit in locations with high incidence of moisture or dust. Moisture or dust that penetrates into this unit may result in product failure.

Precautions

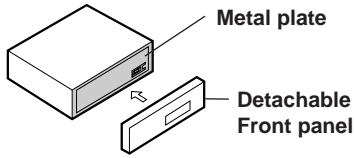
- Be sure to disconnect the cable from the (-) battery post before installing your MDM-7741R. This will reduce any chance of damage to the unit in case of a short-circuit.
- Be sure to connect the colour coded leads according to the diagram. Incorrect connections may cause the unit to malfunction or damage to the vehicle's electrical system.
- When making connections to the vehicle's electrical system, be aware of the factory installed components (e.g. on-board computer). Do not tap into these leads to provide power for this unit. When connecting the MDM-7741R to the fuse box, make sure the fuse for the intended circuit of the MDM-7741R has the appropriate amperage. Failure to do so may result in damage to the unit and/or the vehicle. When in doubt, consult your ALPINE dealer.
- The MDM-7741R uses female RCA-type jacks for connection to other units (e.g. amplifier) having RCA connectors. You may need an adaptor to connect other units. If so, please contact your authorized ALPINE dealer for assistance.
- Be sure to connect the speaker (-) leads to the speaker (-) terminal. Never connect left and right channel speaker cables to each other or to the vehicle body.

IMPORTANT

Please record the serial number of your unit in the space provided below and keep it as a permanent record. The serial number plate is located on the bottom of the unit.

SERIAL NUMBER: _____
INSTALLATION DATE: _____
INSTALLATION TECHNICIAN: _____
PLACE OF PURCHASE: _____

Installation

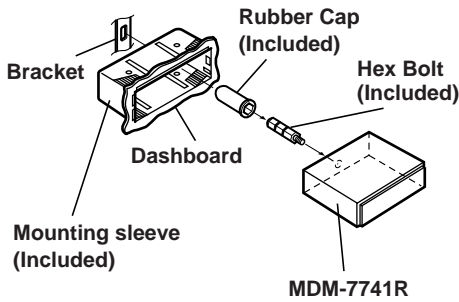


Caution

When you install this unit in your car, do not remove the Detachable Front Panel.

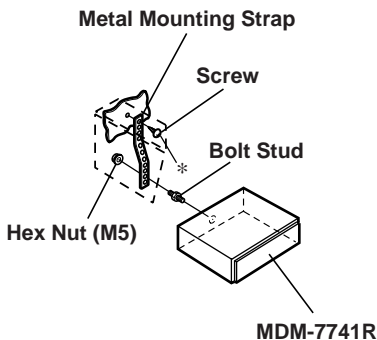
If the Detachable Front Panel is removed during installation, you might press too hard and warp the metal plate that holds it in place.

1



Remove the Detachable Front Panel (refer to page 4). Slide mounting sleeve from main unit (see Removal Procedure below). Slide the mounting sleeve into the dashboard.

2



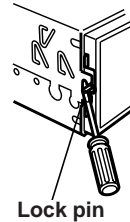
When your vehicle has the Bracket, mount the long hex bolt onto the rear panel of the MDM-7741R and put the Rubber Cap on the hex bolt. If your vehicle does not have the Mounting Support, reinforce the head unit with the metal mounting strap (not supplied). Connect all the leads of the MDM-7741R according to details described in the CONNECTION section.

NOTE

For the screw *, provide a proper screw to the chassis installing location.

3

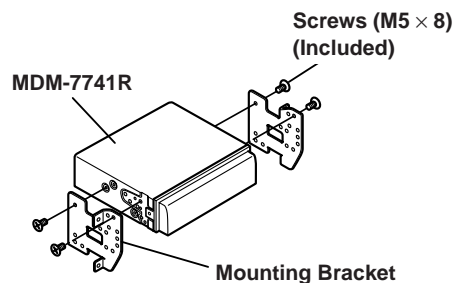
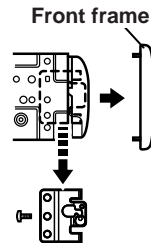
Slide the MDM-7741R into the dashboard. When the unit is in place, make sure the locking pins are fully seated in the down position. This can be done by pressing firmly in on the unit while pushing the locking pin down with a small screwdriver. This ensures that the unit is properly locked and will not accidentally come out from the dashboard. Install the Detachable Front Panel.



Removal

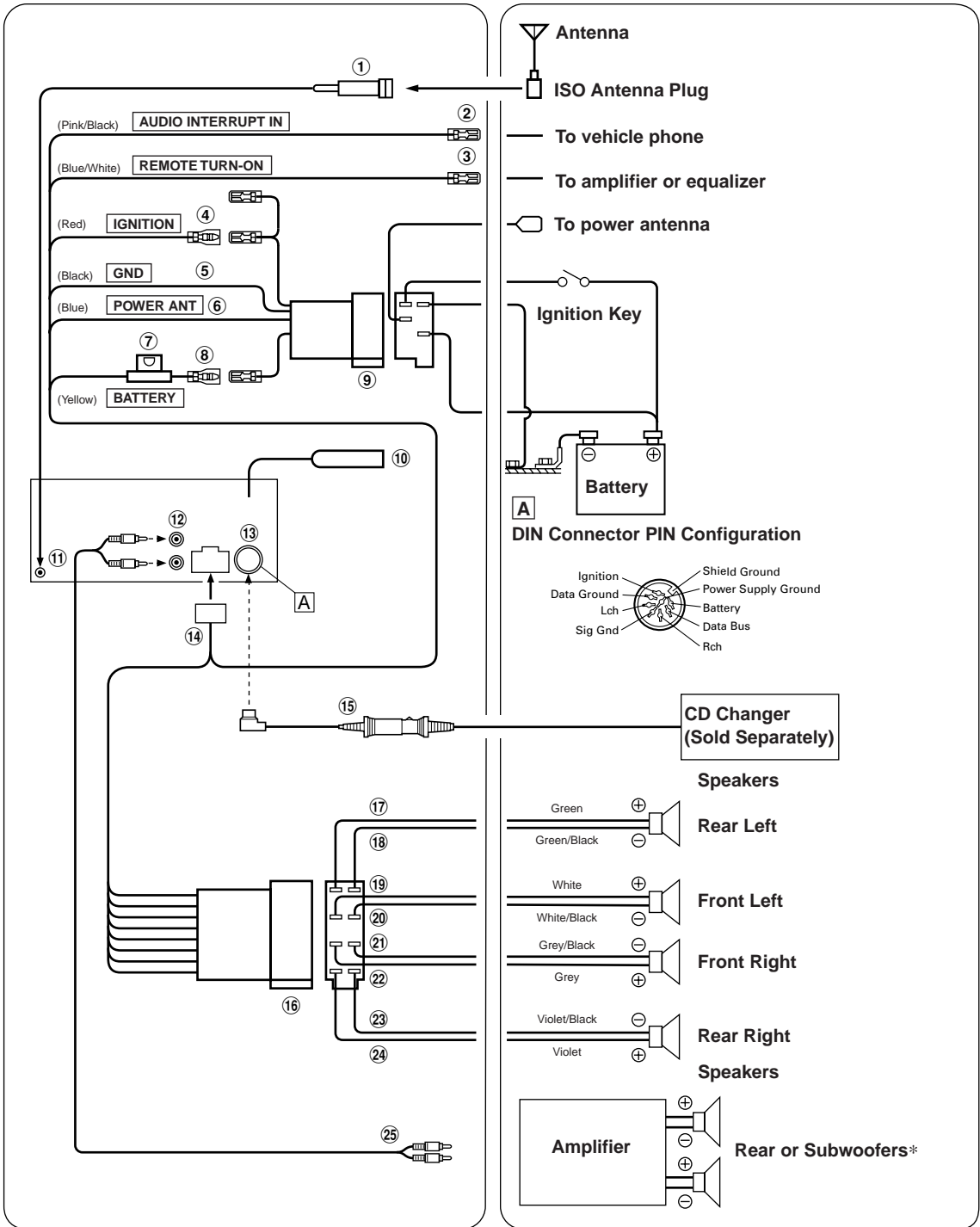
- 1 Remove the detachable front panel.
- 2 Use a small screwdriver (or similar tool) to push the locking pins to the "up" position (see above drawing). As each pin is unlocked, gently pull out on the unit to make sure it does not re-lock before unlocking the second pin.
- 3 Pull the unit out, keeping it unlocked as you do so.

<JAPANESE CAR>



Installation and Connections

Connection



* When Subwoofer is set to OFF: Output is from Rear speakers.
When Subwoofer is set to ON: Output is from Subwoofer.

For details on how to set the Subwoofer to ON/OFF, see "Subwoofer On and Off" on page 5.

- ① **ISO Antenna Converter Plug**
- ② **Audio Interrupt In Lead (Pink/Black)**
Connect this lead to the Audio Interface output of a cellular phone which provides ground shorting when a call is received.
- ③ **Remote Turn-On Lead (Blue/White)**
Connect this lead to the remote turn-on lead of your amplifier or signal processor.
- ④ **Switched Power Lead (Ignition) (Red)**
Connect this lead to an open terminal on the vehicle's fuse box or another unused power source which provides (+) 12V only when the ignition is turned on or in the accessory position.
- ⑤ **Ground Lead (Black)**
Connect this lead to a good chassis ground on the vehicle. Make sure the connection is made to bare metal and is securely fastened using the sheet metal screw provided.
- ⑥ **Power Antenna Lead (Blue)**
Connect this lead to the +B terminal of your power antenna, if applicable.

NOTE

This lead should be used only for controlling the vehicle's power antenna. Do not use this lead to turn on an amplifier or a signal processor, etc.

- ⑦ **Fuse Holder (15A)**
- ⑧ **Battery Lead (Yellow)**
Connect this lead to the positive (+) post of the vehicle's battery.
- ⑨ **ISO Power Supply Connector**
- ⑩ **Remote Control Interface Connector**
To remote control interface box.

- ⑪ **Antenna Receptacle**
Connect to the supplied ISO antenna converter plug.
- ⑫ **Rear/Subwoofer Output RCA Connectors**
RED is right and WHITE is left.
- ⑬ **DIN Connector**
Connect this to the DIN connector on the CD changer.
- ⑭ **Power Supply Connector**
- ⑮ **DIN Extension Cable**

NOTE

Older Alpine CD changer came with standard, straight type DIN connectors. In installations where an L-type connector would simplify installation, the Alpine 4910₀₂ Adaptor can be used (sold separately).

- ⑯ **ISO Connector (Speaker Output)**
- ⑰ **Left Rear (+) Speaker Output Lead (Green)**
- ⑱ **Left Rear (-) Speaker Output Lead (Green/Black)**
- ⑲ **Left Front (+) Speaker Output Lead (White)**
- ⑳ **Left Front (-) Speaker Output Lead (White/Black)**
- ㉑ **Right Front (-) Speaker Output Lead (Grey/Black)**
- ㉒ **Right Front (+) Speaker Output Lead (Grey)**
- ㉓ **Right Rear (-) Speaker Output Lead (Violet/Black)**
- ㉔ **Right Rear (+) Speaker Output Lead (Violet)**
- ㉕ **RCA Extension Cable (sold separately)**

To prevent external noise from entering the audio system.

- Locate the unit and route the leads at least 10 cm away from the car harness.
- Keep the battery power leads as far away from other leads as possible.
- Connect the ground lead securely to a bare metal spot (remove the coating if necessary) of the car chassis.
- If you add an optional noise suppressor, connect it as far away from the unit as possible. Your Alpine dealer carries various Alpine noise suppressors, contact them for further information.
- Your Alpine dealer knows best about noise prevention measures so consult your dealer for further information.