



# HDD PLAYER

# HDA-5460

**HDD MP3**



- **OWNER'S MANUAL**  
Please read before using this equipment.
- **BEDIENUNGSANLEITUNG**  
Lesen Sie diese Bedienungsanleitung  
bitte vor Gebrauch des Gerätes.
- **MODE D'EMPLOI**  
Veuillez lire avant d'utiliser cet appareil.
- **MANUAL DE OPERACIÓN**  
Léalo antes de utilizar este equipo.
- **ISTRUZIONI PER L'USO**  
Si prega di leggere prima di utilizzare il  
attrezzatura.
- **ANVÄNDARHANDLEDNING**  
Innan du använder utrustningen bör du  
läsa igenom denna användarhandledning.

ALPINE ELECTRONICS MARKETING, INC.  
1-1-8 Nishi Gotanda,  
Shinagawa-ku, Tokyo 141-0031, Japan  
Phone 03-5496-8231

ALPINE ELECTRONICS OF AMERICA, INC.  
19145 Gramercy Place, Torrance,  
California 90501, U.S.A.  
Phone 1-800-ALPINE-1 (1-800-257-4631)

ALPINE ELECTRONICS OF CANADA, INC.  
7300 Warden Ave., Suite 203, Markham,  
Ontario L3R 9Z6, Canada  
Phone 1-800-ALPINE-1 (1-800-257-4631)

ALPINE ELECTRONICS OF AUSTRALIA PTY. LTD.  
6-8 Fiveways Boulevard Keysborough,  
Victoria 3173, Australia  
Phone 03-9769-0000

ALPINE ELECTRONICS GmbH  
Kreuzerkamp 7, 40878 Ratingen,  
Germany  
Phone 02102-4550

ALPINE ELECTRONICS OF U.K. LTD.  
Alpine House  
Fletchamstead Highway,  
Coventry CV4 9TW, U.K.  
Phone 0870-33 33 763

ALPINE ELECTRONICS FRANCE S.A.R.L.  
(RCS PONTOISE B 338 101 280)  
98, Rue de la Belle Etoile, Z.I. Paris  
Nord II, B.P. 50016, 95945 Roissy  
Charles de Gaulle Cedex, France  
Phone 01-48638989

ALPINE ITALIA S.p.A.  
Viale C. Colombo 8, 20090 Trezzano  
Sul Naviglio (MI), Italy  
Phone 02-484781

ALPINE ELECTRONICS DE ESPAÑA, S.A.  
Portal de Gamarra 36, Pabellón, 32  
01013 Vitoria (Alava) - APDO 133,  
Spain  
Phone 945-283588

EN

DE

FR

ES

IT

SE



# Contents

## Operating Instructions



### WARNING

WARNING .....	2
CAUTION .....	2
PRECAUTIONS .....	3

## Getting Started

Initial System Start-Up .....	4
Turning Power On and Off .....	4
Removing and Inserting HDD .....	5

## HDD Operations

Playback .....	6
Search for a File .....	6
Playing lists of files you want to hear which you have prepared in advance (playlists) .....	6
Genre selection playback (My DJ Function) ....	7
Scanning Programs .....	7
M.I.X. (Random play) .....	7
Repeat Play .....	8
Deleting an HDD File .....	8

## Other Functions

Switching DJ Sound/Operation Tone .....	9
Setting Time/Calendar .....	9
Switching Display Pattern .....	10
Checking Copyright Information .....	10
i-Personalize™ Operation (Only when the CDA-9815RB/CDA-9813R is connected) .....	11

## Head Unit Operations

Playing Files on the HDD .....	12
Switching Display Mode .....	12
Setting MX Mode .....	12

## Information

About MP3/WMA/WAV .....	13
In Case of Difficulty .....	14
Specifications .....	15

## Installation and Connections

Warning .....	16
Caution .....	16
Precautions .....	16
Installation .....	17
Basic Connections .....	18
System Examples .....	20

*Windows Media, and the Windows logo are trademarks, or registered trademarks of Microsoft Corporation in the United States and/or other countries.*

---

---

# Operating Instructions

## WARNING



This symbol means important instructions. Failure to heed them can result in serious injury or death.

---

### DO NOT OPERATE ANY FUNCTION THAT TAKES YOUR ATTENTION AWAY FROM SAFELY DRIVING YOUR VEHICLE.

Any function that requires your prolonged attention should only be performed after coming to a complete stop. Always stop the vehicle in a safe location before performing these functions. Failure to do so may result in an accident.

---

### KEEP THE VOLUME AT A LEVEL WHERE YOU CAN STILL HEAR OUTSIDE NOISE WHILE DRIVING.

Failure to do so may result in an accident.

---

### MINIMIZE DISPLAY VIEWING WHILE DRIVING.

Viewing the display may distract the driver from looking ahead of the vehicle and cause an accident.

---

### DO NOT DISASSEMBLE OR ALTER.

Doing so may result in an accident, fire or electric shock.

---

### USE ONLY IN CARS WITH A 12 VOLT NEGATIVE GROUND.

(Check with your dealer if you are not sure.) Failure to do so may result in fire, etc.

---

### KEEP SMALL OBJECTS SUCH AS BATTERIES OUT OF THE REACH OF CHILDREN.

Swallowing them may result in serious injury. If swallowed, consult a physician immediately.

---

### USE THE CORRECT AMPERE RATING WHEN REPLACING FUSES.

Failure to do so may result in fire or electric shock.

---

### DO NOT BLOCK VENTS OR RADIATOR PANELS.

Doing so may cause heat to build up inside and may result in fire.

---

### USE THIS PRODUCT FOR MOBILE 12V APPLICATIONS.

Use for other than its designed application may result in fire, electric shock or other injury.

---

### DO NOT PLACE HANDS, FINGERS OR FOREIGN OBJECTS IN INSERTION SLOTS OR GAPS.

Doing so may result in personal injury or damage to the product.

---

### DO NOT USE AN AC ADAPTER OTHER THAN THE ONE INCLUDED WITH THIS PRODUCT.

Use of an adapter rated for another Country/Region might cause fire or electric shock.

---

### DO NOT USE AN AC ADAPTER HAVING A DAMAGED POWER CABLE.

Doing so could cause a fire, electrical shock, or heat generation.

---

### WIPE OFF DUST THAT ADHERES TO THE POWER PLUG OF THE AC ADAPTER.

Failing to do so may cause a fire.

---

### NEVER USE THE AC ADAPTER IN A PLACE THAT IS VERY DAMP.

Doing so could cause electrical shock.

---

### DO NOT TOUCH THE POWER PLUG DURING A THUNDERSTORM.

Doing so could cause electrical shock.



This symbol means important instructions. Failure to heed them can result in injury or material property damage.

---

### HALT USE IMMEDIATELY IF A PROBLEM APPEARS.

Failure to do so may cause personal injury or damage to the product. Return it to your authorized Alpine dealer or the nearest Alpine Service Center for repairing.

---

### KEEP THE AC ADAPTER AND CABLE AWAY FROM ANY HEAT GENERATING APPLIANCE.

Failure to do so could cause the cable's insulation to melt and cause a fire or electrical shock.

---

### WHEN UNPLUGGING THE AC ADAPTER, BE SURE TO DO SO BY HOLDING THE MAIN BODY.

Pulling the cable could damage the cable and cause a fire or electrical shock.

---

### DO NOT PLUG IN OR UNPLUG THE AC ADAPTER WITH WET HANDS.

Doing so could cause electrical shock.

---

### WHEN THE AC ADAPTER WILL NOT BE USED FOR A LONG TIME, UNPLUG IT FROM THE POWER SOURCE IN THE INTEREST OF SAFETY.

Failing to do so could cause electrical shock or fire.



# PRECAUTIONS

---

## Temperature

Be sure the temperature inside the vehicle is between +60°C (+140°F) and -10°C (+14°F) before turning your unit on.

---

## Maintenance

If you have problems, do not attempt to repair the unit yourself. Return it to your Alpine dealer or the nearest Alpine Service Station for servicing.

---

## On Handling HDD

Follow these instructions while using the HDD. Failure to heed them can result in product failure or damage. Do not disassemble or modify the unit.

Do not subject the unit to strong vibration or moisture. The HDD is very delicate and must never be dropped.

Avoid using the unit in a location subject to:

- High temperature, such as in a car on a hot day with all its windows up or directly in front of a car's heater vent.
  - Direct sunlight
  - Water and high humidity and excessive dust
  - High magnetic field or static electricity
- 

## Moisture Condensation

In a very cold car, condensation may form inside the unit as the temperature increases.

This could lead to a product malfunction.

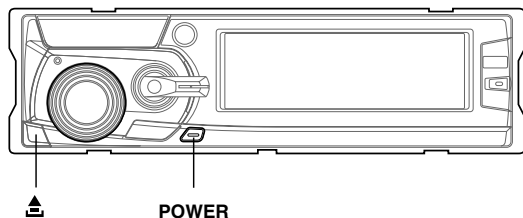
If this happens, remove the HDD for about 1 hour to give any internal moisture time to evaporate.



## CAUTION

Alpine accepts no responsibility for lost data, etc., even if data, etc., is lost while using this product.


# Getting Started

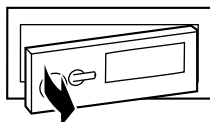


## Initial System Start-Up

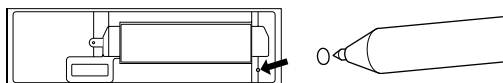
Be sure to press the RESET switch when using the unit for the first time, after installing a CD changer, etc., or after changing the car battery.

**1** Make sure that power to the unit is turned off. If the power is on, turn it off as described in the next section.

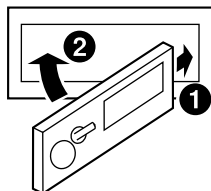
**2** Press .  
Grasp the left side of the panel and pull it out.



**3** Press **RESET** with a ball-point pen or similar pointed object.



**4** Angle the panel into the right side of the main unit.  
While holding the right side of the panel in the unit, press the left side down until it locks firmly into the main unit.



- The panel may become hot in normal usage (especially the connector terminals on the back of the panel). This is not a malfunction.
- The time and other settings will be cleared after initial system start-up. You need to set them again.
- Before attaching the panel, make sure that there is no dirt or dust on the connector terminals and no foreign objects between the panel and the main unit.

## Turning Power On and Off

### When connecting to Ai-NET Head Units:

- 1** Turn on the head unit power.  
The power of the main unit, linked through Ai-NET to the head unit, turns on. For details, refer to the head unit operation manual.
- 2** To turn off the power, turn OFF the head unit power.

### When connecting to Non-Ai-NET Head Units:

- 1** Press any of the main unit switches to turn on its power.
- 2** To turn off the power, press and hold **POWER** for at least 2 seconds.

- Using the unit for extended periods will cause its chassis to become hot. This is not a malfunction. However, if a strange smell or smoke is noticed coming out of the unit, stop using it immediately and contact your Alpine dealer.
- **Non Ai-NET connections**  
Alpine products are equipped for a bus connection system called "Ai-NET" which can only be used for connections between Ai-NET products.  
The HDA-5460 is an Ai-NET product, but is designed to allow connections to other (non Ai-NET) products as well. Thus RCA-type connections are also possible.  
Connections to non Ai-NET products are referred to as "non Ai-NET connections".

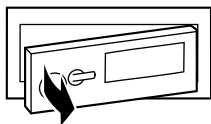
## Removing and Inserting HDD

The HDD can be edited using a computer. For HDD editing, refer to the “manual to install” or the help of the MMDriver.

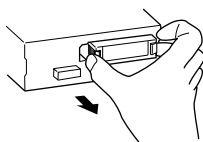
**1** Make sure that power to the unit is turned off. If the power is on, turn it off as described in “Turning Power On and Off” on page 4.

**2** Press ▲.

Grasp the left side of the panel and pull it out.

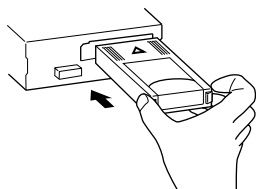


**3** Hold both sides of HDD and pull it out.



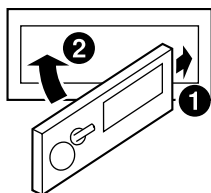
**4** When the HDD is removed, data can be stored with the computer in your home using the included AC adapter and USB cable. For instructions on operating the computer, refer to the “manual to install” or help file of the MMDriver.

**5** To load HDD, insert it firmly in the direction of the arrow.



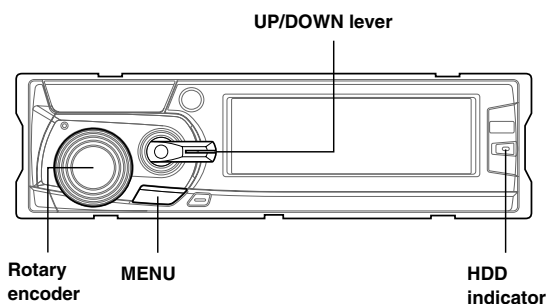
**6** Angle the panel into the right side of the main unit.

While holding the right side of the panel in the unit, press the left side down until it locks firmly into the main unit.



- HDD and the panel may become hot in normal usage (especially the connector terminals on the back of the panel). This is not a malfunction.
- Before attaching HDD and the panel, make sure that there is no dirt or dust on the connector terminals and no foreign objects between HDD or the panel and the main unit.
- Do not make connections to the computer inside the vehicle.
- Do not touch the terminal part of the HDD.  
Do not let metal (such as a coin) touch the terminal part.  
It may cause a malfunction.

# HDD Operations



## Playback

Playback files stored on the HDD.

Music data files with the formats MP3, WMA and WAV can be played with the HDA-5460's HDD. For details on MP3, WMA and WAV files, refer to "About MP3/WMA/WAV" (Page 13).

Record data on the HDD using a computer and the included MMDriver. For details, refer to the "manual to install" or help file of the MMDriver.

- 1 Press the Rotary encoder to select the HDD mode.**  
Playback starts.
- 2 Move the UP/DOWN lever upward or downward to select a file.**
  - Returning to the beginning of the current track:  
Press UP/DOWN lever.
  - Fast forward/Fast backward:  
Press and hold UP/DOWN lever.
- 3 To pause playback, press the Rotary encoder**  
Pressing the Rotary encoder again will resume playback.
  - *Turning the Rotary encoder during playback will enter the Song Search mode.*  
*The desired file will be played back only by selecting it after a few seconds.*
  - *If HDD mode is selected when HDD is removed, "NO DISC" is displayed.*
  - *The HDD indicator blinks during HDD playback.*
  - *It may take a long time to start playback if a number of files are stored inside the HDD.*

## Search for a File

### Search for the desired track

For hard disc drives containing several hundred or several thousand files, finding the desired file can be troublesome. The HDA-5460 offers a variety of search functions to make this easier.

#### Searching by artist name

- 1 Press MENU to set the menu mode.**
- 2 Move the UP/DOWN lever upward or downward and select "Artist Search".**

- 3 Turn the Rotary encoder to select the artist name, then press the Rotary encoder**
- 4 After the operation in step 3, select the album name, then the song title.**  
The selected file is played.

#### Searching by album name

- 1 Press MENU to set the menu mode.**
- 2 Move the UP/DOWN lever upward or downward and select "Album Search".**
- 3 Turn the Rotary encoder to select the album name, then press the Rotary encoder**
- 4 After the operation in step 3, select song title.**  
The selected file is played.

#### Searching by song title

- 1 Press MENU to set the menu mode.**
- 2 Move the UP/DOWN lever upward or downward and select "Song Search".**
- 3 Turn the Rotary encoder to select the song title, then press the Rotary encoder**  
The selected file is played.
  - *To cancel the Search mode, press MENU.*
  - *When "ARTIST ALL" is selected in Artist Search, the file in the Artist sequence is played for all artists.*
  - *When "ALBUM ALL" is selected in Album Search, the file in the Album sequence is played for all target albums.*
  - *The file order in the album differs from that in the original album (CD, etc.). When playing back the files in the desired order, see the next item "Playing lists of files you want to hear which you have prepared in advance (playlists)".*

## Playing lists of files you want to hear which you have prepared in advance (playlists)

With the HDA-5460, you can play playlists you have prepared in advance on the computer. For instructions on preparing playlists, see the MMDriver's help file.

- 1 Press MENU to set the menu mode.**
- 2 Move the UP/DOWN lever upward or downward and select "Play List".**
- 3 Turn the Rotary encoder to select the desired playlist, then press the Rotary encoder**
- 4 After the operation in step 3, select the song title.**  
The selected file is played.
  - *To cancel the Search mode, press MENU.*



---

## Genre selection playback (My DJ Function)

---

For hard disc drives containing several hundred or several thousand files, deciding what to listen to can be difficult. With the HDA-5460 you can have files selected and played automatically simply by choosing the genre (type) of file you want to hear. In addition, depending on the selected genre DJ, a recommended file (“DJ sound”) can be played as a DJ would between files. Refer to “Switching DJ Sound Operation Tone” (page 9) for instructions on turning the DJ sound function on and off.

- 1 Press **MENU** to select the menu mode.
- 2 Move the **UP/DOWN lever** upward or downward to select the Music Recommend.
- 3 Turn the **Rotary encoder** to highlight the desired genre DJ in the display. Press the **Rotary encoder** to make the selection.

- To cancel the menu mode, press **MENU**.

---

## Scanning Programs

---

You can search for a selection by scanning the beginning of each of the files on the HDD.

- 1 Press and hold **MENU** for at least 2 seconds to select the Play mode.
- 2 Turn the **Rotary encoder** to highlight SCAN in the display. Press the **Rotary encoder** to make your selection.
- 3 Turn the **Rotary encoder** to highlight the desired Scan mode. Press the **Rotary encoder** to make your selection.

ALBUM SCAN:

Each file under the Album category will be played for 10 seconds in succession.

ARTIST SCAN:

Each file under the Artist category will be played for 10 seconds in succession.

SCAN ALL:

Each of all files are played for 10 seconds in succession.

- 4 When the desired file is found, access the Play Mode again to select the “PLAY MODE OFF”. Then press the **Rotary encoder**  
The playback resumes.

- Setting the SCAN mode during the M.I.X. or REPEAT play will cancel the M.I.X./REPEAT mode.
- Pressing **MENU** on the Play Mode selection screen will return to the previous operation.
- The SCAN mode during Playlist play scans only the Playlist, having no operation described in step 3 above.

---

## M.I.X. (Random Play)

---

The files can be played back in random sequence.

- 1 Press and hold **MENU** for at least 2 seconds to select the Play Mode.
- 2 Turn the **Rotary encoder** to highlight M.I.X. in the display. Press the **Rotary encoder** to make your selection.
- 3 Turn the **Rotary encoder** to highlight the desired M.I.X. mode. Press the **Rotary encoder** to make your selection.

ALBUM M.I.X.:

Only the files under the Album category will be played in a random sequence.

ARTIST M.I.X.:

Only the files under the Artist category will be played in a random sequence.

M.I.X. ALL:

All files are played in a random sequence.

- 4 To cancel M.I.X., access the Play Mode again to select the “PLAY MODE OFF”. Then press the **Rotary encoder**

- Setting the M.I.X. mode during the SCAN or REPEAT play will cancel the SCAN or REPEAT mode.
- Pressing **MENU** on the Play Mode selection screen will return to the previous operation.
- In the M.I.X. mode during playback of a playlist, the M.I.X. operation is only performed within the playlist, so there is no operation 3 above.

---

## Repeat Play

---

Playback repeatedly, a single file or a group of files of your choice.

- 1 Press and hold **MENU** for at least 2 seconds to select the Play mode.
- 2 Turn the **Rotary encoder** to highlight Repeat in the display. Press the **Rotary encoder** to make your selection.
- 3 Turn the **Rotary encoder** to highlight the desired Repeat mode. Press the **Rotary encoder** to make your selection.

SONG REPEAT:

Play only one file repeatedly.

ALBUM REPEAT:

Play only the files under the Album category repeatedly.

ARTIST REPEAT:

Play only the files under the Artist category repeatedly.

- 4 To cancel REPEAT, access the Play Mode again to select the "PLAY MODE OFF". Then press the **Rotary encoder**

- Setting the REPEAT mode during SCAN or M.I.X. play will cancel the SCAN/M.I.X. mode.
- Pressing **MENU** on the Play Mode selection screen will return to the previous operation.
- In the REPEAT mode during playback of a playlist, the REPEAT operation is only performed within the playlist, so there is no operation 3 above.

---

## Deleting an HDD File

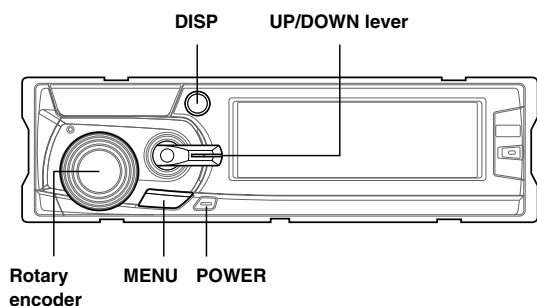
---

You can delete an HDD file. The deleted file cannot be recovered.

- 1 Press **MENU** in the HDD mode to select the menu mode.
- 2 Move the **UP/DOWN lever** upward or downward to highlight Delete in the display. Press the **Rotary encoder** to make the selection.
- 3 Turn the **Rotary encoder** to highlight the category, ALBUM/ARTIST/SONG, containing the file to be deleted. Press the **Rotary encoder** to make the selection.  
Select PLAYLIST to delete the PLAYLIST file.
- 4 Turn the **Rotary encoder** to highlight a title. Press the **Rotary encoder** to make the selection.  
Select the song title in the same way when ALBUM/ARTIST is selected.
- 5 Turn the **Rotary encoder** to highlight "OK" in the display. Press the **Rotary encoder** to confirm deletion.  
The selected file is deleted.  
Select "CANCEL" to return to normal mode without deleting the file.
- 6 When the completion message is displayed, press the **Rotary encoder** to return to normal mode.

- Pressing **MENU** in the Delete mode will return to the previous operation.
- Make sure not to eject HDD or turn off the power when the data is being deleted.
- When the file is deleted, the File No. is rearranged automatically with the remaining files.
- The Delete mode can not be selected when HDD is not loaded.

# Other Functions



## Switching DJ Sound/Operation Tone

The DJ sound played between file playback and the key confirmation beep can be turned off.

- 1 Press **MENU** in the HDD mode to select the menu mode.
- 2 Move the **UP/DOWN lever** upward or downward to select the Setup mode.
- 3 Turn the **Rotary encoder** to highlight **SOUND & BEEP** in the display. Press the **Rotary encoder** to make the selection.
- 4 Turn the **Rotary encoder** to switch the **DJ SOUND** setting and then press the **Rotary encoder**

DJ SOUND ON ↔ DJ SOUND OFF  
(Default setting)

- 5 Turn the **Rotary encoder** to switch the **BEEP** setting and then press the **Rotary encoder**

BEEP ON ↔ BEEP OFF  
(Default setting)

- 6 Turn the **Rotary encoder** to select "OK" and then press the **Rotary encoder**
- 7 Press **MENU** to return to normal mode.

- Step 2 above is omitted when the mode other than the HDD mode is activated.
- The setting of Setup will be cleared when the unit is reset or the battery power cord is removed.
- DJ sound is played when the "genre selection playback (My DJ function)" (page 7) is used.
- Pressing **MENU** during setting will cancel the operation.

## Setting Time/Calendar

- 1 Press **MENU** in the HDD mode to select the menu mode.
- 2 Move the **UP/DOWN lever** upward or downward to select the Setup mode.
- 3 Turn the **Rotary encoder** to highlight **CALENDAR** in the display. Press the **Rotary encoder** to make the selection.
- 4 Turn the **Rotary encoder** to set "YEAR" and then press the **Rotary encoder**

2003 / 04 / 01 00 : 00  
(Default setting)

- 5 Set "MONTH", "DAY", "HOUR" and "MINUTE" in the same way as step 4.
- 6 Turn the **Rotary encoder** to select "OK" and then press the **Rotary encoder**
- 7 Press **MENU** to return to normal mode.

- After setting the "HOUR," pressing and holding the **Rotary encoder** will display "MINUTE" as "00." If the "MINUTE" display is over ":30", pressing and holding the **Rotary encoder** will advance to the next "HOUR."
- The setting period is from Year 2001 to 2099.
- Step 2 above is omitted when the unit is in the mode other than the HDD mode.
- The setting of Setup will be cleared when the unit is reset or the battery power cord is removed.
- Pressing **MENU** during setting will cancel the operation.

## Switching Display Pattern

Select your favorite display pattern.

### 1 Press **DISP** to select the desired display pattern.

No.	Content
1	Main display <sup>*1</sup>
2	Main display + screen saver display <sup>*1</sup>
3	Screen saver display
4	Visualizer display 1: Lightning
5	Visualizer display 2: Globe
6	Visualizer display 3: Flash
7	Normal spectrum analyzer display
8	OFF

*\*1 Only when selecting the HDD source.*

- If “No. 8 OFF” is selected, pressing a switch temporarily turns the display on for 5 seconds and then it turns off.
- When combined with a head unit that is not Ai-NET compatible, “No. 7 Normal spectrum analyzer display” is not available for any of the head unit’s sources.
- When the Input RCA Connectors are not connected, “No.7 Normal spectrum analyzer display” is not available for any of the head unit’s sources.
- Pressing **DISP** in the menu mode will cancel the menu mode.

Display No.1 and No.2

No.1 and No.2 display patterns present the following information:

#### No.1 Main display

(ALBUM NAME)
(ARTIST NAME)
(SONG TITLE)
(ELAPSED TIME/SAMPLING RATE/ BIT RATE)

#### No.2 Main display + screen saver display

(ALBUM NAME)	(screen saver)
(ARTIST NAME)	
(SONG TITLE)	
(ELAPSED TIME/SAMPLING RATE/ BIT RATE)	

- Up to 64 one-byte characters can be displayed for a song title, etc., but are not displayed on the head unit.
- The text is displayed line by line which is scrolled automatically.
- When a text cannot be displayed on the unit, “NO SUPPORT” is displayed.

## Checking Copyright Information

1 Press **MENU** in the HDD mode to select the menu mode.

2 Move the **UP/DOWN** lever upward or downward to highlight information in the display. Press the **Rotary encoder** to make the selection.  
The copyright information is displayed.

3 Press the **Rotary encoder** to end the operation.

- Pressing **MENU** will return to the previous display.

## i-Personalize™ Operation (Only when the CDA-9815RB/CDA-9813R is connected)

On the Alpine owner website, you can access audio set up data for various automobiles and systems. With a CDA-9815RB/CDA-9813R connected, you can upload customized audio set up data from this database to the head unit using the HDD.  
For details, refer to the ALPINE website.

### About i-Personalize™

You can download data (from Alpine's website) to a HDD, and upload and store the data to the CDA-9815RB/CDA-9813R.

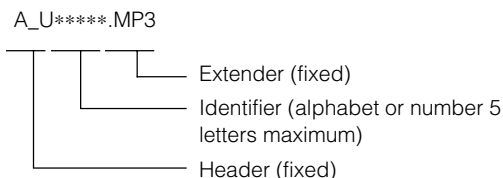
To start i-Personalize, access the URL below and follow the on-screen instructions.

<http://www.alpine.com> or <http://www.alpine-europe.com>  
or <http://www.alpine.com.au>

Downloadable data

Parametric equalizer	Data is memorized in Preset 6 of the Parametric EQ Mode.
Time correction	Data is memorized in Preset 6 of the Time Correction Mode.
Crossover	Data is memorized in Preset 6 of the crossover mode.

The file name of download data shall be "A\_U\*\*\*\*\*.MP3."



You can create a file name via the website. Do not change a file name once it has been created. Malfunction may result.

- Data sending methods
  - Start MMDriver and connect HDD main unit to a personal computer.  
(Refer to MMDriver "manual to install".)
  - Click "MENU". Then click "Upload i-Personalize (TM) File" from the pull-down menu.
  - Specify the file name to send data to HDD main unit following to the instructions displayed on the screen.  
You can send 1 file per 1 sending.
- For details about procedures of download, see ALPINE's website.
- If an external audio processor is connected, data that is downloaded cannot be used.

### Upload data to the head unit

Uploading is operated not from the main unit (HDA-5460) but from the head unit (CDA-9815RB/CDA-9813R).

- Load HDD containing the data in the main unit HDA-5460.**  
If the HDD is already loaded, select the HDD mode. (refer to page 6)
- Press and hold ►/II on the head unit for at least 2 seconds.**  
The mode switches to the download mode to show the download confirmation screen.
- Turn the Rotary encoder on the head unit to select "OK," then press the Rotary encoder**  
Data search of the HDD starts and the first file name is displayed.
  - Selecting "NG" will halt the download mode.
  - If a file is not found by the data search, "NO FILE" is indicated.
  - The "NO FILE" display will automatically disappear if no operation is performed for 5 seconds.
- Turn the Rotary encoder on the head unit to select "DOWNLOAD," and then press the Rotary encoder to start.**  
Data downloading starts.  
The file currently shown in the display is downloaded.  
If you want to download other files, select NEXT FILE to call up file names.

CANCEL : Halts the download  
DOWNLOAD : Starts the download  
NEXT FILE : Searches the next file

- When data download is finished successfully, the confirmation screen is displayed for 5 seconds and the download mode closes.**

Successfully downloaded items are indicated as checked boxes on the confirmation screen.

#### PARAMETRIC EQ data

The data is memorized in Preset 6 of Parametric EQ mode. The memorized data settings in Preset 6 (Parametric EQ mode) are automatically applied.

#### X-OVER (Cross over) data

The data is memorized in Preset 6 of X-OVER mode. The memorized data settings in Preset 6 (X-OVER mode) are automatically applied.  
You cannot download the data if the setting of the 2WAY/3WAY switch is not suitable for the data.

#### TIME CORRECTION data

The data is memorized in Preset 6 of the Time correction mode. The memorized data settings in Preset 6 (Time Correction mode) are automatically applied.

- When you download the data again, the data is overwritten in Preset 6.

# Head Unit Operations

Some of the HDD functions may be controlled from the head unit. Please see the table below to see which functions are available when using the CDA-9815RB/CDA-9813R/CDA-9812RB/CDA-9812RR/CDA-9811R/INA-N333R/CVA-1004R/IVA-D900R.

Function List

Function \ Head Unit	CDA-9815RB/ CDA-9813R/ CDA-9812RB/ CDA-9812RR/ CDA-9811R	INA-N333R	CVA-1004R	IVA-D900R
HDD mode selection	○	○	○	○
Returning to the beginning of the current file, Fast forward/Fast backward	○	○	○	
Switching display pattern			△*1	
Setting MX mode	○			○

\*1 Available to change the HDD's media display from the head unit only while the display is closed.

## Playing Files on the HDD

An HDD file in the main unit can be selected from the head unit when using a CDA-9815RB/CDA-9813R/CDA-9812RB/CDA-9812RR/CDA-9811R/INA-N333R/CVA-1004R.

With the IVA-D900R connected, switching the source to the HDD is possible, but selecting files for playback must be done from the HDD main unit.

**(When CDA-9815RB/CDA-9813R/CDA-9812RB/  
CDA-9812RR/CDA-9811R/INA-N333R/CVA-1004R  
are combined)**

**1 Press SOURCE/POWER in the head unit to select the HDD (MMDRIVER) mode.**

TUNER→CD→CHANGER\*→HDD (MMDRIVER)→TUNER  
(\*Only when a changer is connected.)

**2 Press ◀◀ or ▶▶ on the head unit to select a file.**

- Returning to the beginning of the current file: Press ◀◀ or ▶▶.
- Fast forward/Fast backward: Press and hold ◀◀ or ▶▶.

**3 To pause playback, press ▶/■ on the head unit.** Pressing ▶/■ again will resume playback.

**(When IVA-D900R is combined)**

**1 Press SOURCE/POWER in the head unit.**

**2 Turn the Rotary encoder in the head unit to highlight MM DRIVER in the display. Press the Rotary encoder to make your selection.**

## Switching Display Mode

When using the CVA-1004R, you can change the HDD's media display from the head unit. You can change it only while the display is closed.

**1 Press TITLE ⊕ in the head unit.**  
The display mode is switched.

Media Display ↔ Time Display

## Setting MX Mode

When using the CDA-9815RB/CDA-9813R/CDA-9812RB/CDA-9812RR/CDA-9811R/IVA-D900R, the MX settings (described below) for the HDD main unit can be adjusted for the MP3/WMA files. For details, refer to the head unit operating instructions.

- **MX setting items**  
**MP3/WMA (MMD for IVA-D900R): MX level 1 to 3, OFF**  
Lost data at the time of compression is recovered and the balanced sound almost the same as the original is played.
- **MX setting for HDD main unit**
  - When using the CDA-9815RB/CDA-9813R/CDA-9812RB/CDA-9812RR/CDA-9811R, MX setting is detected depending on each format. If WAV file is stored in HDD main unit, MP3 MX setting is detected.
  - When using the IVA-D900R, MMD MX setting is detected independent of HDD stored format.

# Information

## About MP3/WMA/WAV

### CAUTION

Except for private use, duplicating audio data (including MP3/WMA data) or distributing, transferring, or copying it, whether for free or for a fee, without permission of the copyright holder is strictly prohibited by the Copyright Act and by international treaty.

### What is MP3?

MP3, whose official name is "MPEG Audio Layer 3," is a compression standard prescribed by the ISO, the International Standardization Organization and MPEG which is a joint activity institution of the IEC.

MP3 files contain compressed audio data. MP3 encoding is capable of compressing audio data at extremely high ratios, reducing the size of music files to as much as one-tenth their original size. This is achieved while still maintaining near CD quality. The MP3 format realizes such high compression ratios by eliminating the sounds that are either inaudible to the human ear or masked by other sounds.

### What is WMA?

WMA, or "Windows Media™ Audio," is compressed audio data.

WMA allows you to create music files and store them at higher ratios of compression than MP3 audio data (approx. half original size). This is achieved while still maintaining CD quality sound.

### What is WAV?

This is the most basic audio file format. The file name as the extension "wav".

### Method for creating MP3/WMA files

Audio data is compressed by using MP3/WMA specified software. For details on creating MP3/WMA files, refer to the user's manual for that software.

MP3/WMA files that can be played back by this device have the file extension "mp3" / "wma". Files with no extension cannot be played back. (WMA ver. 7.1 and 8 are supported.)

### Supported playback sampling rates and bit rates

#### MP3

Sampling rates: 48 kHz, 44.1 kHz, 32 kHz

Bit rates: 64 - 320 kbps

#### WMA

Sampling rates: 48 kHz, 44.1 kHz, 32 kHz

Bit rates: 64 - 192 kbps

Note that for sampling rates, this device's display (Page 10) may not display correctly.

This device may not play back correctly depending on sampling rates.

### ID3 tags/WMA tags

This device supports ID3 tag v1 and v2, and WMA tag.

If tag data is in an MP3/WMA file, this device can display the title (song title), artist name, and album name ID3 tag/WMA tag data.

For non-supported characters, "NO SUPPORT" is displayed.

### Genre tag

Genre information being included in ID3 tag.

## Terminology

### Bit rate

This is the "sound" compression rate specified for encoding. The higher the bit rate, the higher the sound quality, but also the larger the files.

### Sampling rate

This value shows how many times per second the data is sampled (recorded). For example, music CDs use a sampling rate of 44.1 kHz, so the sound is sampled (recorded) 44,100 times per second. The higher the sampling rate, the higher the sound quality, but also the larger the volume of data.

### Encoding

Converting music CDs and other sound files into the specified audio compression format.

### Tag

Song information such as song titles, artist names, album names, etc., written into MP3/WMA files.

MP3: ID3 tag

WMA: WMA tag

---

## In Case of Difficulty

---

If you encounter a problem, please turn the power off, then on again. If the unit is still not functioning normally, please review the items in the following checklist. This guide will help you isolate the problem if the unit is at fault. Otherwise, make sure the rest of your system is properly connected or consult your authorized Alpine dealer.

### No function or display.

- Vehicle's ignition is off.
  - If connected following instructions, the unit will not operate with the vehicle's ignition off.
- Improper power lead connections.
  - Check power lead connections.
- Blown fuse.
  - Check the fuse on the battery lead of the unit; replace with the proper value if necessary.
- Internal micro-computer malfunctioned due to interference noise etc.
  - Press the RESET switch with a ballpoint pen or other pointed article.

### Main unit not functioning.

- Out of operating temperature range +50°C (+120°F) for HDD.
  - Allow the vehicle's interior (or trunk) temperature to cool.

### Music data is not played back.

- Writing error occurred.
  - Re-record.

---

## Indication for HDD

### HI TEMP

- Protective circuit is activated due to high temperature.
  - The indicator will disappear when the temperature returns to within operation range.

---

### LOW TEMP

- The temperature in the car is too low.
  - Raise the temperature in the car to a normal level.

---

### NO DISC

- No HDD is inserted.
  - Insert a HDD.

---

### BLANK DISC

- There are no files on the HDD. (Not yet recorded)
  - Record files on the HDD, then use.

---

### ERROR

- There is condensation.
    - Leave for a while.
  - Mechanism error
    - ① Remove the HDD.
    - ② If the error display still appears after the HDD has again been inserted, please consult your Alpine dealer.
- 

---

### DL DATA ERROR

- An error occurred in downloading i-Personalize™ data.
  - Access the ALPINE Web site again and download the i-Personalize™ data.

---

### DELETE ERROR

- An error occurred in the deletion of files on the HDD.
  - Perform deletion of files on the HDD again.

---

### NO FILE

- There is no music data (files) on the HDD. (Not yet recorded)
    - Use an HDD that has music data (files).
-



---

## Specifications

---

### HDD SECTION

HDD Capacity:	16GB
Compression Method of Playback Signal:	MP3/WMA/WAV
Frequency Response	20 – 20,000 Hz ( $\pm 0.5$ dB)*
Signal-to-Noise Ratio	95 dB

### GENERAL

Power Requirement	14.4 V DC (11–16 V allowable)
Pre-Output Voltage	850mV/10 k ohms
Weight	1.5 kg (3 lbs. 5 oz)

### CHASSIS SIZE

Width	178 mm (7")
Height	50 mm (2")
Depth	155 mm (6-1/8")

### NOSEPIECE SIZE

Width	170 mm (6-11/16")
Height	46 mm (1-13/16")
Depth	20 mm (25/32")

*\*The frequency response depends on the encoder software and bit rate.*

- *Due to continuous product improvement, specifications and design are subject to change without notice.*

---

---

# Installation and Connections

Before installing or connecting the unit, please read the following and pages 2, 3 of this manual thoroughly for proper use.

## Warning

---

### MAKE THE CORRECT CONNECTIONS.

Failure to make the proper connections may result in fire or product damage.

---

### USE ONLY IN CARS WITH A 12 VOLT NEGATIVE GROUND.

(Check with your dealer if you are not sure.) Failure to do so may result in fire, etc.

---

### BEFORE WIRING, DISCONNECT THE CABLE FROM THE NEGATIVE BATTERY TERMINAL.

Failure to do so may result in electric shock or injury due to electrical shorts.

---

### DO NOT ALLOW CABLES TO BECOME ENTANGLED IN SURROUNDING OBJECTS.

Arrange wiring and cables in compliance with the manual to prevent obstructions when driving. Cables or wiring that obstruct or hang up on places such as the steering wheel, gear lever, brake pedals, etc. can be extremely hazardous.

---

### DO NOT SPLICE INTO ELECTRICAL CABLES.

Never cut away cable insulation to supply power to other equipment. Doing so will exceed the current carrying capacity of the wire and result in fire or electric shock.

---

### DO NOT DAMAGE PIPE OR WIRING WHEN DRILLING HOLES.

When drilling holes in the chassis for installation, take precautions so as not to contact, damage or obstruct pipes, fuel lines, tanks or electrical wiring. Failure to take such precautions may result in fire.

---

### DO NOT USE BOLTS OR NUTS IN THE BRAKE OR STEERING SYSTEMS TO MAKE GROUND CONNECTIONS.

Bolts or nuts used for the brake or steering systems (or any other safety-related system), or tanks should NEVER be used for installations or ground connections. Using such parts could disable control of the vehicle and cause fire etc.

---

### KEEP SMALL OBJECTS SUCH AS BATTERIES OUT OF THE REACH OF CHILDREN.

Swallowing them may result in serious injury. If swallowed, consult a physician immediately.

---

### DO NOT INSTALL IN LOCATIONS WHICH MIGHT HINDER VEHICLE OPERATION, SUCH AS THE STEERING WHEEL OR GEARSHIFT.

Doing so may obstruct forward vision or hamper movement etc. and results in serious accident.

---

## Caution

---

### HAVE THE WIRING AND INSTALLATION DONE BY EXPERTS.

The wiring and installation of this unit requires special technical skill and experience. To ensure safety, always contact the dealer where you purchased this product to have the work done.

---

### USE SPECIFIED ACCESSORY PARTS AND INSTALL THEM SECURELY.

Be sure to use only the specified accessory parts. Use of other than designated parts may damage this unit internally or may not securely install the unit in place. This may cause parts to become loose resulting in hazards or product failure.

---

### ARRANGE THE WIRING SO IT IS NOT CRIMPED OR PINCHED BY A SHARP METAL EDGE.

Route the cables and wiring away from moving parts (like the seat rails) or sharp or pointed edges. This will prevent crimping and damage to the wiring. If wiring passes through a hole in metal, use a rubber grommet to prevent the wire's insulation from being cut by the metal edge of the hole.

---

### DO NOT INSTALL IN LOCATIONS WITH HIGH MOISTURE OR DUST.

Avoid installing the unit in locations with high incidence of moisture or dust. Moisture or dust that penetrates into this unit may result in product failure.

---

## Precautions

- Be sure to disconnect the cable from the (-) battery post before installing your HDA-5460. This will reduce any chance of damage to the unit in case of a short-circuit.
- Be sure to connect the color coded leads according to the diagram. Incorrect connections may cause the unit to malfunction or damage to the vehicle's electrical system.
- When making connections to the vehicle's electrical system, be aware of the factory installed components (e.g. on-board computer). Do not tap into these leads to provide power for this unit. When connecting the HDA-5460 to the fuse box, make sure the fuse for the intended circuit of the HDA-5460 has the appropriate amperage. Failure to do so may result in damage to the unit and/or the vehicle. When in doubt, consult your ALPINE dealer.
- The HDA-5460 uses female RCA-type jacks for connection to other units (e.g. amplifier) having RCA connectors. You may need an adaptor to connect other units. If so, please contact your authorized ALPINE dealer for assistance.

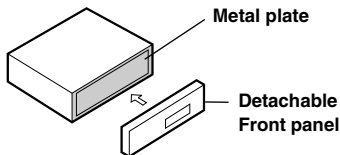
---

## IMPORTANT

Please record the serial number of your unit in the space provided below and keep it as a permanent record. The serial number plate is located on the bottom of the unit.

SERIAL NUMBER: \_\_\_\_\_  
INSTALLATION DATE: \_\_\_\_\_  
INSTALLATION TECHNICIAN: \_\_\_\_\_  
PLACE OF PURCHASE: \_\_\_\_\_

# Installation

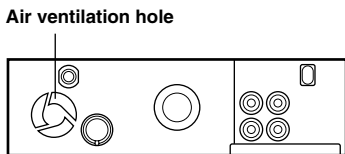


**Caution**

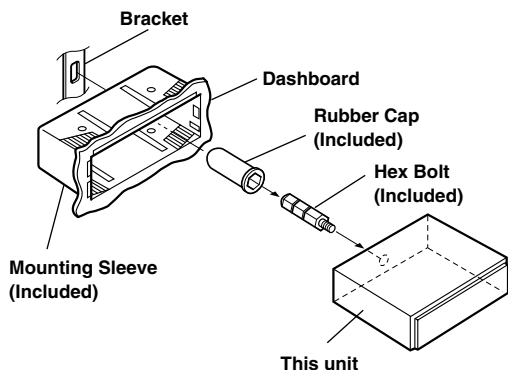
When you install this unit in your car, do not remove the detachable front panel. If the detachable front panel is removed during installation, you might press too hard and warp the metal plate that holds it in place.

**Caution**

Do not block the unit's fan or heat sink, thus preventing air circulation. If blocked, heat will accumulate inside the unit and may cause a fire.

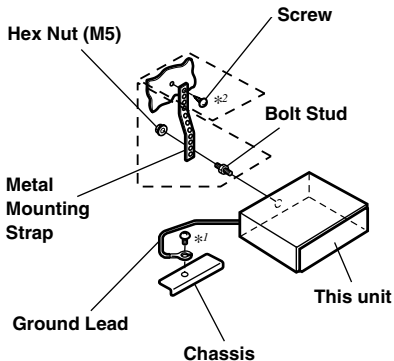


**1**



Slide mounting sleeve from main unit (see Removal Procedure below). Slide the mounting sleeve into the dashboard.

**2**

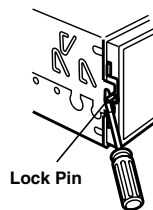


When your vehicle has the Bracket, mount the long hex bolt onto the rear panel of the HDA-5460 and put the Rubber Cap on the hex bolt. If your vehicle does not have the Mounting Support, reinforce the head unit with the metal mounting strap (not

supplied). Secure the ground lead of the unit to a clean metal spot using a screw (\*1) already attached to the vehicle's chassis. Connect all the leads of the HDA-5460 according to details described in the BASIC CONNECTIONS section.

- For the screw marked “\*2”, use an appropriate screw for the chosen mounting location.

**3**

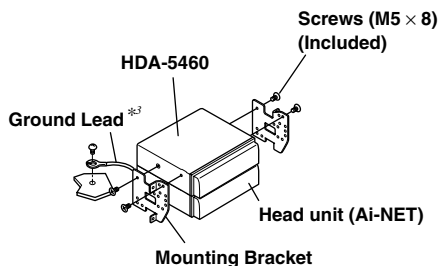
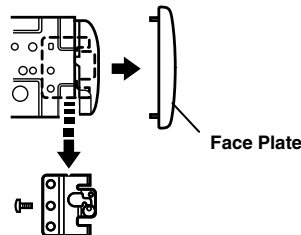


Slide the HDA-5460 into the dashboard. When the unit is in place, make sure the locking pins are fully seated in the down position. This can be done by pressing firmly in on the unit while pushing the locking pin down with a small screwdriver. This ensures that the unit is properly locked and will not accidentally come out from the dashboard. Install the detachable front panel.

**Removal**

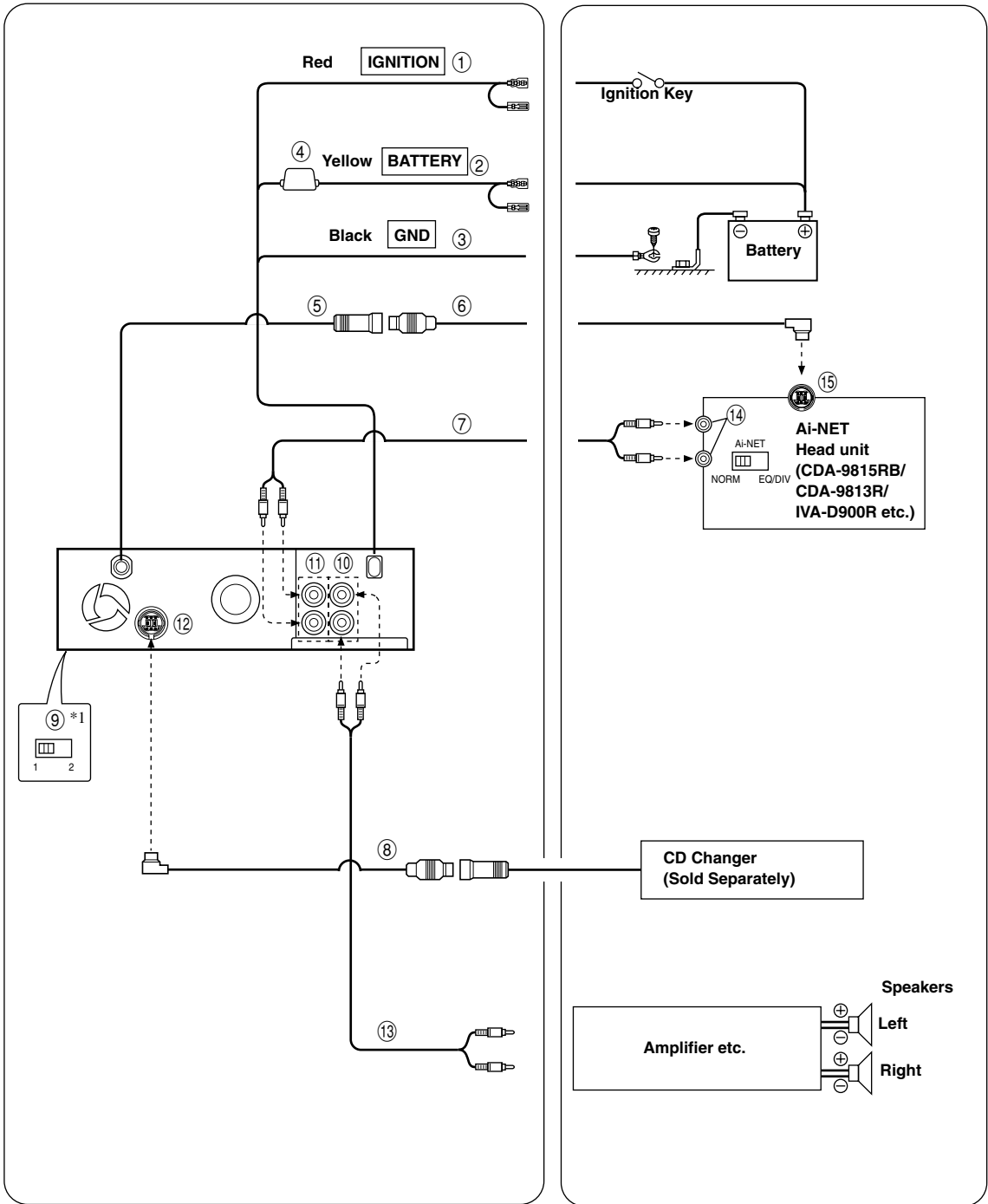
- 1 Remove the detachable front panel.
- 2 Use a small screwdriver (or similar tool) to push the locking pins to the “up” position (see above drawing). As each pin is unlocked, gently pull out on the unit to make sure it does not re-lock before unlocking the second pin.
- 3 Pull the unit out, keeping it unlocked as you do so.

**<JAPANESE CAR>**



- Secure the ground lead of the unit to a clean metal spot using a screw (\*3) already attached to the vehicle's chassis.

# Basic Connections



\* 1 The label is attached on the bottom of the unit.

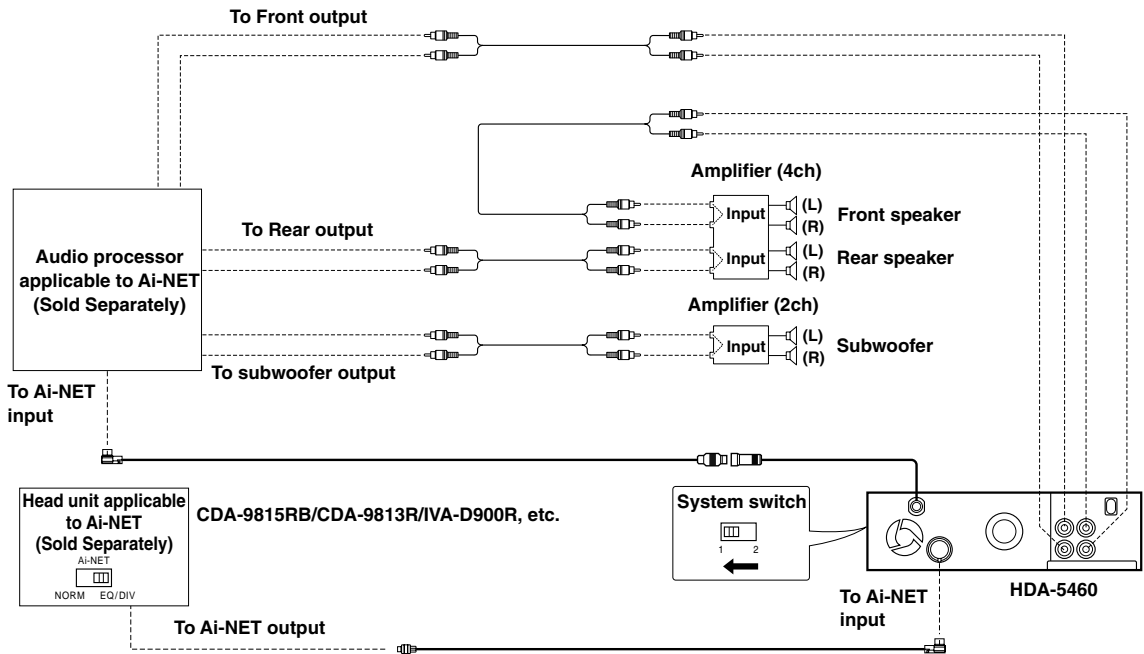
- ① **Switched Power Lead (Ignition) (Red)**  
Connect this lead to an open terminal on the vehicle's fuse box or another unused power source which provides (+)12V only when the ignition is turned on or in the accessory position. When connecting with the Ai-NET compatible head unit, do not connect the ignition lead.
- ② **Battery Lead (Yellow)**  
Connect this lead to the positive (+) post of the vehicle's battery.
- ③ **Ground Lead (Black)**  
Connect this lead to a good chassis ground on the vehicle. Make sure the connection is made to bare metal and is securely fastened using the sheet metal screw provided.
- ④ **Fuse Holder (7.5A)**
- ⑤ **Ai-NET Connector**
- ⑥ **Ai-NET Cable (Included)**
- ⑦ **RCA Extension Cable (Included)**
- ⑧ **Ai-NET Cable (Included with CD Changer)**
- ⑨ **System Switch**  
When the main unit is combined with other products than the Ai-NET compatible head unit, using it will switch the unit to [2] (STANDALONE).
- ⑩ **Output RCA Connectors**  
RED is right and WHITE is left.
- ⑪ **Input RCA Connector**  
Red is right and WHITE is Left.
- ⑫ **Ai-NET Connector**  
Connect this to the output connector of another device (CD Changer, etc.) equipped with Ai-NET.
- ⑬ **RCA Extension Cable (sold separately)**
- ⑭ **Output RCA Connectors**  
RED is right and WHITE is left.
- ⑮ **Ai-NET Connector**

**To prevent noise/interference in the audio system.**

- Locate the unit and route the leads at least 10 cm away from the car harness.
- Keep the battery power leads as far away from other leads as possible.
- Connect the ground lead securely to a bare metal spot (remove any paint, dirt or grease if necessary) of the car chassis.
- If you add an optional noise suppressor, connect it as far away from the unit as possible. Your Alpine dealer carries various noise suppressors, contact them for further information.
- Your Alpine dealer knows best about noise prevention measures so consult your dealer for further information.

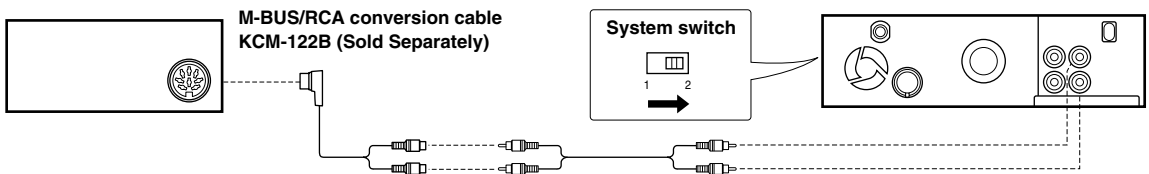
# System Examples

## System Example 1: Connection to Audio processor applicable to Ai-NET



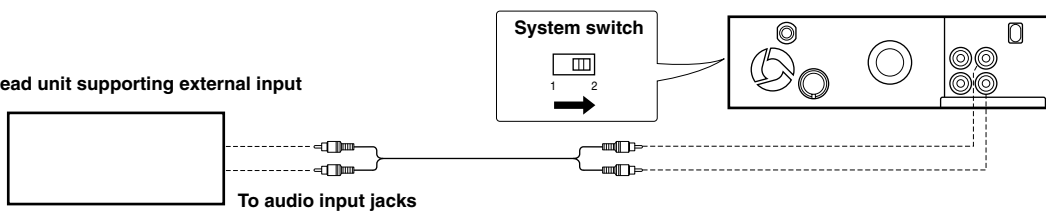
## System Example 2: Connection to MINI BUS head unit supporting AUX IN

MINI BUS head unit supporting AUX IN (CDM-9803R, etc.)



## System Example 3: Connection to Head unit supporting external input

Head unit supporting external input



Händlerstemple

**Tipps der Polizei:**

- Stellen Sie Ihr Fahrzeug stets gut sichtbar ab.
- Verschließen Sie Türen, Fenster, Schiebedach und Kofferraum immer, auch bei nur kurzer Abwesenheit.
- Lassen Sie keine Wertsachen sichtbar im Auto liegen.
- Wird Ihr Fahrzeug aufgebrochen, wenden Sie sich sofort an die nächste Polizeidienststelle.
- Belassen Sie Ihr Fahrzeug nach einem Aufbruch im Originalzustand.
- Informieren Sie sich über technische Sicherungsmöglichkeiten bei einer Kriminalpolizeilichen Beratungsstelle.

**Gerät 1**

Modell-Nr.:

Hersteller:

Seriennummer:

A	L																		
---	---	--	--	--	--	--	--	--	--	--	--	--	--	--	--	--	--	--	--

Kaufdatum: \_\_\_\_\_ Preis: \_\_\_\_\_



Car Audio and Navigation Systems

# GERÄTE-PASS

AUDIO SYSTEME

Fahrzeugmarke: \_\_\_\_\_ Typ: \_\_\_\_\_

Amtl. Kennzeichen: \_\_\_\_\_

Name des Halters: \_\_\_\_\_

Straße: \_\_\_\_\_

Wohnort: \_\_\_\_\_

Bitte füllen Sie diesen Pass vollständig aus und bewahren Sie ihn außerhalb des Fahrzeugs auf:

Im Falle eines Diebstahls wird für Sie die Schadensabwicklung mit der Versicherung einfacher, und Sie erleichtern der Polizei die Fahndung nach den Tätern.