



AUDIO/VISUAL SELECTOR

VPE-S431

- **OWNER'S MANUAL**
Please read before using this equipment.
- **MODE D'EMPLOI**
Veuillez lire avant d'utiliser cet appareil.
- **MANUAL DE OPERACIÓN**
Léalo antes de utilizar este equipo.

EN

FR

ES

ALPINE ELECTRONICS MARKETING, INC.

1-1-8 Nishi Gotanda,
Shinagawa-ku,
Tokyo 141-0031, Japan
Phone 03-5496-8231

ALPINE ELECTRONICS OF AMERICA, INC.

19145 Gramercy Place, Torrance,
California 90501, U.S.A.
Phone 1-800-ALPINE-1 (1-800-257-4631)

ALPINE ELECTRONICS OF CANADA, INC.

7300 Warden Ave., Suite 203, Markham,
Ontario L3R 9Z6, Canada
Phone 1-800-ALPINE-1 (1-800-257-4631)

ALPINE ELECTRONICS OF AUSTRALIA PTY. LTD.

6-8 Fiveways Boulevard Keysborough,
Victoria 3173, Australia
Phone 03-9769-0000

ALPINE ELECTRONICS GmbH

Frankfurter Ring 117,
80807 München, Germany
Phone 089-32 42 640

ALPINE ELECTRONICS OF U.K. LTD.

Alpine House
Fletchamstead Highway, Coventry CV4 9TW,
U.K.
Phone 0870-33 33 763

ALPINE ELECTRONICS FRANCE S.A.R.L.

(RCS PONTOISE B 338 101 280)
98, Rue de la Belle Etoile, Z.I. Paris Nord II,
B.P. 50016, 95945 Roissy Charles de Gaulle
Cedex, France
Phone 01-48638989

ALPINE ITALIA S.p.A.

Viale C. Colombo 8, 20090 Trezzano
Sul Naviglio (MI), Italy
Phone 02-484781

ALPINE ELECTRONICS DE ESPAÑA, S.A.

Portal de Gamarra 36, Pabellón, 32
01013 Vitoria (Alava)-APDO 133, Spain
Phone 945-283588

Points to Observe for Safe Usage



WARNING

This symbol means important instructions. Failure to heed them can result in serious injury or death.

DO NOT DISASSEMBLE OR ALTER.

Doing so may result in an accident, fire or electric shock.

KEEP SMALL OBJECTS SUCH AS BATTERIES OUT OF THE REACH OF CHILDREN.

Swallowing them may result in serious injury. If swallowed, consult a physician immediately.

USE THE CORRECT AMPERE RATING WHEN REPLACING FUSES.

Failure to do so may result in fire or electric shock.

USE ONLY IN CARS WITH A 12 VOLT NEGATIVE GROUND.

(Check with your dealer if you are not sure.) Failure to do so may result in fire, etc.

BEFORE WIRING, DISCONNECT THE CABLE FROM THE NEGATIVE BATTERY TERMINAL.

Failure to do so may result in electric shock or injury due to electrical shorts.

DO NOT SPLICE INTO ELECTRICAL CABLES.

Never cut away cable insulation to supply power to other equipment. Doing so will exceed the current carrying capacity of the wire and result in fire or electric shock.

DO NOT DAMAGE PIPE OR WIRING WHEN DRILLING HOLES.

When drilling holes in the chassis for installation, take precautions so as not to contact, damage or obstruct pipes, fuel lines, tanks or electrical wiring. Failure to take such precautions may result in fire.

DO NOT USE BOLTS OR NUTS IN THE BRAKE OR STEERING SYSTEMS TO MAKE GROUND CONNECTIONS.

Bolts or nuts used for the brake or steering systems (or any other safety-related system), or tanks should NEVER be used for installations or ground connections. Using such parts could disable control of the vehicle and cause fire etc.

DO NOT ALLOW CABLES TO BECOME ENTANGLED IN SURROUNDING OBJECTS.

Arrange wiring and cables in compliance with the manual to prevent obstructions when driving. Cables or wiring that obstruct or hang up on places such as the steering wheel, shift lever, brake pedals, etc. can be extremely hazardous.

USE THIS PRODUCT FOR MOBILE 12V APPLICATIONS.

Use for other than its designed application may result in fire, electric shock or other injury.

MAKE THE CORRECT CONNECTIONS.

Failure to make the proper connections may result in fire or product damage.



CAUTION

This symbol means important instructions. Failure to heed them can result in injury or material property damage.

USE SPECIFIED ACCESSORY PARTS AND INSTALL THEM SECURELY.

Be sure to use only the specified accessory parts. Use of other than designated parts may damage this unit internally or may not securely install the unit in place. This may cause parts to become loose resulting in hazards or product failure.

DO NOT INSTALL IN LOCATIONS WITH HIGH MOISTURE OR DUST.

Avoid installing the unit in locations with high incidence of moisture or dust. Moisture or dust that penetrates into this unit may result in product failure.

HAVE THE WIRING AND INSTALLATION DONE BY EXPERTS.

The wiring and installation of this unit requires special technical skill and experience. To ensure safety, always contact the dealer where you purchased this product to have the work done.

ARRANGE THE WIRING SO IT IS NOT CRIMPED OR PINCHED BY A SHARP METAL EDGE.

Route the cables and wiring away from moving parts (like the seat rails) or sharp or pointed edges. This will prevent crimping and damage to the wiring. If wiring passes through a hole in metal, use a rubber grommet to prevent the wire's insulation from being cut by the metal edge of the hole.

Feature

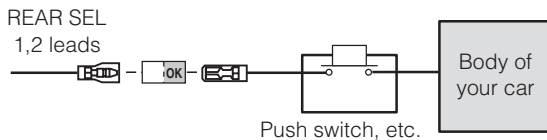
This unit is designed to connect to the IVA-D300 series to expand their functions.

In addition, when this unit is not connected to the IVA-D300 series, it can perform visual effects, switch video output to a rear monitor connected to this unit, etc.

- Operations can be performed from the IVA-D300 series when connected. For details, refer to the Owner's Manual of the IVA-D300 series.
- Operations can be performed from the touch panel monitor when connected. For details, refer to the Owner's Manual of the touch panel monitor.

Operation

This unit can be operated by connecting REAR SEL1 and REAR SEL 2 leads to a push switch (sold separately). For details, consult an authorized ALPINE dealer.



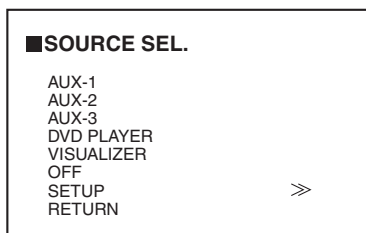
- Use a switch (sold separately) which has an automatic return function to connect with REAR SEL 1,2 leads.
- When operating with the Monitor Control 1,2 leads, connect to a switch (sold separately) as well. The automatic return function is not necessary. (Refer to "SWITCHING THE REMOTE SENSOR" page 3.)

Switching the Output Source

Video output from AUX OUT 1/2 for each monitor can be switched.

- 1 Press the REAR SEL 1 or the REAR SEL 2 switch.**

The SOURCE SEL. display appears.



REAR SEL 1: The source of the external monitor connected to the AUX OUT 1.

REAR SEL 2: The source of the external monitor connected to the AUX OUT 2.

- 2 Press the REAR SEL 1 or the REAR SEL 2 switch to select an item from the list below.**

AUX-1 → AUX-2 → AUX-3 → DVD PLAYER*1 → VISUALIZER*2 → OFF → SETUP → RETURN

*1 Displayed only when the IVA-D300 series are connected.

*2 Displayed when VISUALIZER is set to other than OFF.

When the IVA-D300 series are connected, this is displayed only when VISUALIZER is set to ON in the IVA-D300 series.

- The AUX NAME set in "SETUP" is displayed for AUX-1, 2 or 3.

- 3 Press and hold the REAR SEL 1 or the REAR SEL 2 switch for more than 2 seconds.**

The selected source is displayed on the monitor.

- When RETURN is selected, the display returns to the one prior to the SOURCE SEL.

SETUP

Each setting can be performed by the procedure shown below. The setup menu is common for both REAR SEL 1 and REAR SEL 2.

- When IVA-D300 series is connected, the VISEAL EFFECT, VISUALIZER and AUX IN-1, 2, 3 NAME cannot be set in this unit. Set these functions in the IVA-D300 series.

- 1 Press the REAR SEL 1 or the REAR SEL 2 switch.**

The SOURCE SEL. display appears.

- 2 Press the REAR SEL 1 or the REAR SEL 2 switch to change the setting item. Select SETUP.**

- 3 Press and hold the REAR SEL 1 or the REAR SEL 2 switch for more than 2 seconds.**

The SETUP display appears.

- 4 Press the REAR SEL 1 or the REAR SEL 2 switch to select the desired setting item.**

VISUAL EFFECT → VISUALIZER →
AUX IN-1,2,3 SIGNAL → AUX IN-1,2,3 NAME
→ RETURN

- 5 Press and hold the REAR SEL 1 or the REAR SEL 2 switch for more than 2 seconds to change the setting.**

- 6 After settings, press the REAR SEL 1 or the REAR SEL 2 switch to select RETURN, and press and hold the switch for more than 2 seconds.**

The SOURCE SEL. display is restored. To return to normal mode, select RETURN again, and press and hold the switch for more than 2 seconds. Either VISUAL EFFECT or VISUALIZER will start if set to on.

VISUAL EFFECT (Visual Effect Mode)

For a visual source, Visual Effect is applied to each monitor.

- When the VISUALIZER mode is on, VISUAL EFFECT is canceled.
- When no image is input, the picture in VISUAL EFFECT may be distorted. This is not a malfunction. In this case, set VISUAL EFFECT with an input image, such as DVD.
- This function cannot be set in the navigation mode.
- When VISUAL EFFECT is set to on, the visual source of the rear monitor automatically changes to the same source as the front monitor.

VISUALIZER

You can select your desired mode from MODE1 through 6.

SCAN: MODE1 to 6 are automatically switched.

- When the VISUAL EFFECT is on, the VISUALIZER mode is canceled.

AUX IN-1,2,3 SIGNAL

Set the video output configuration to NTSC or PAL according to the type of television and the disc recording method.

- The image output configuration must be correct. Otherwise the following message appears and playback does not start: "VIDEO SIGNAL SYSTEM IS NOT CORRECT".
- The system is set to NTSC at time of shipment from the factory. Change the system to PAL, as necessary.

AUX IN-1,2,3 NAME

When more than one external device is connected, you can name each (up to 3) as you like.

AUX / VCR / GAME-1,2 / TV/ NAV.*

- The selected source name is displayed instead of the AUX source name.
- * When IVA-D300 series is connected, "NAV." can be set only in AUX-3 mode.

Switching the Remote Sensor

When an Alpine monitor which does not work with the touch panel is connected, the remote sensor can be switched by connecting the Monitor Control 1,2 lead to a push switch, or similar (sold separately).

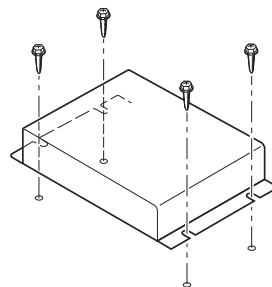
1 Press the Monitor Control 1 or 2 switch.

While the switch is on, the remote sensor of the rear monitor connected to AUX OUT 1 or 2 is prior to the other, and the monitor can be operated with the remote control.

Installation

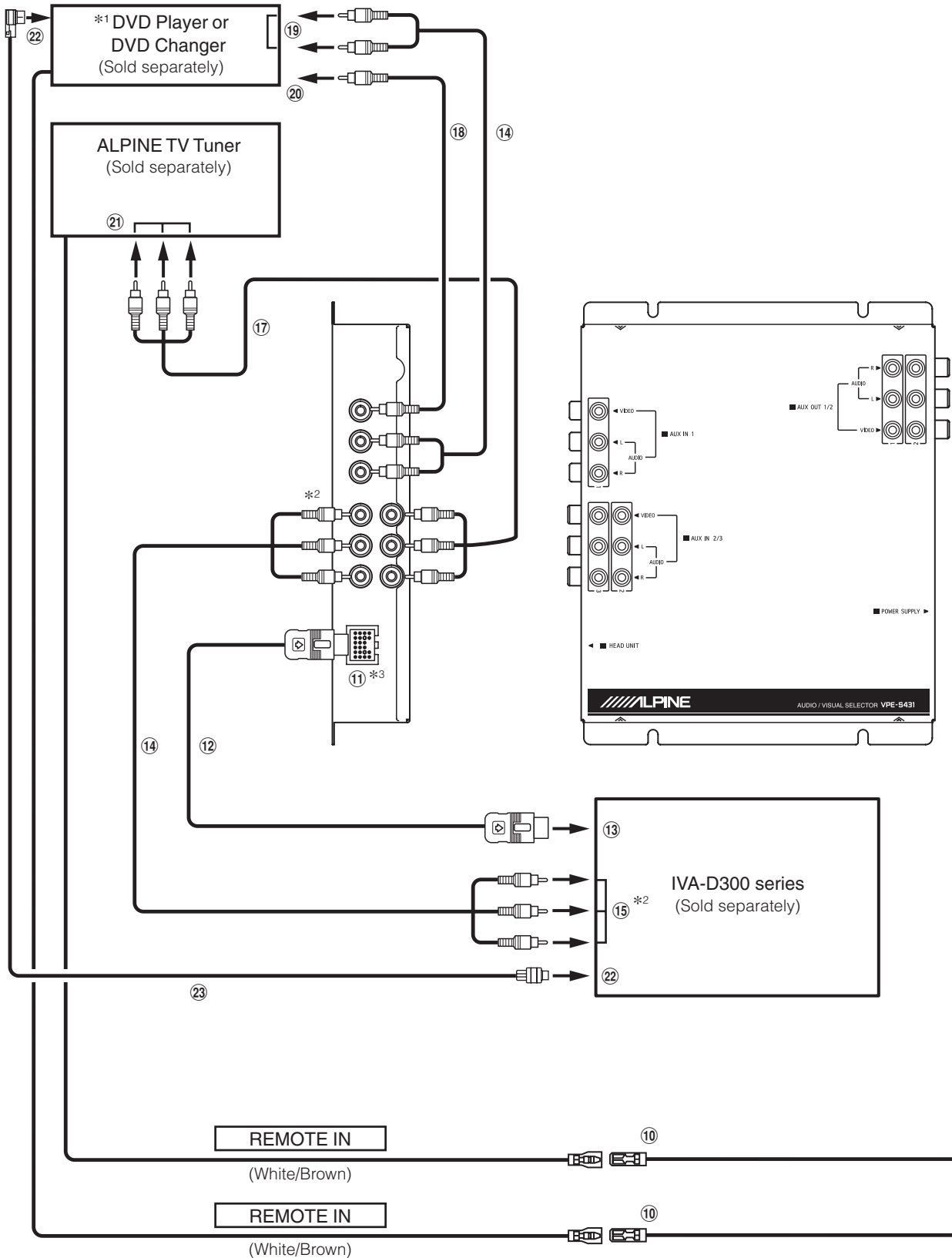
Screw-down Mounting

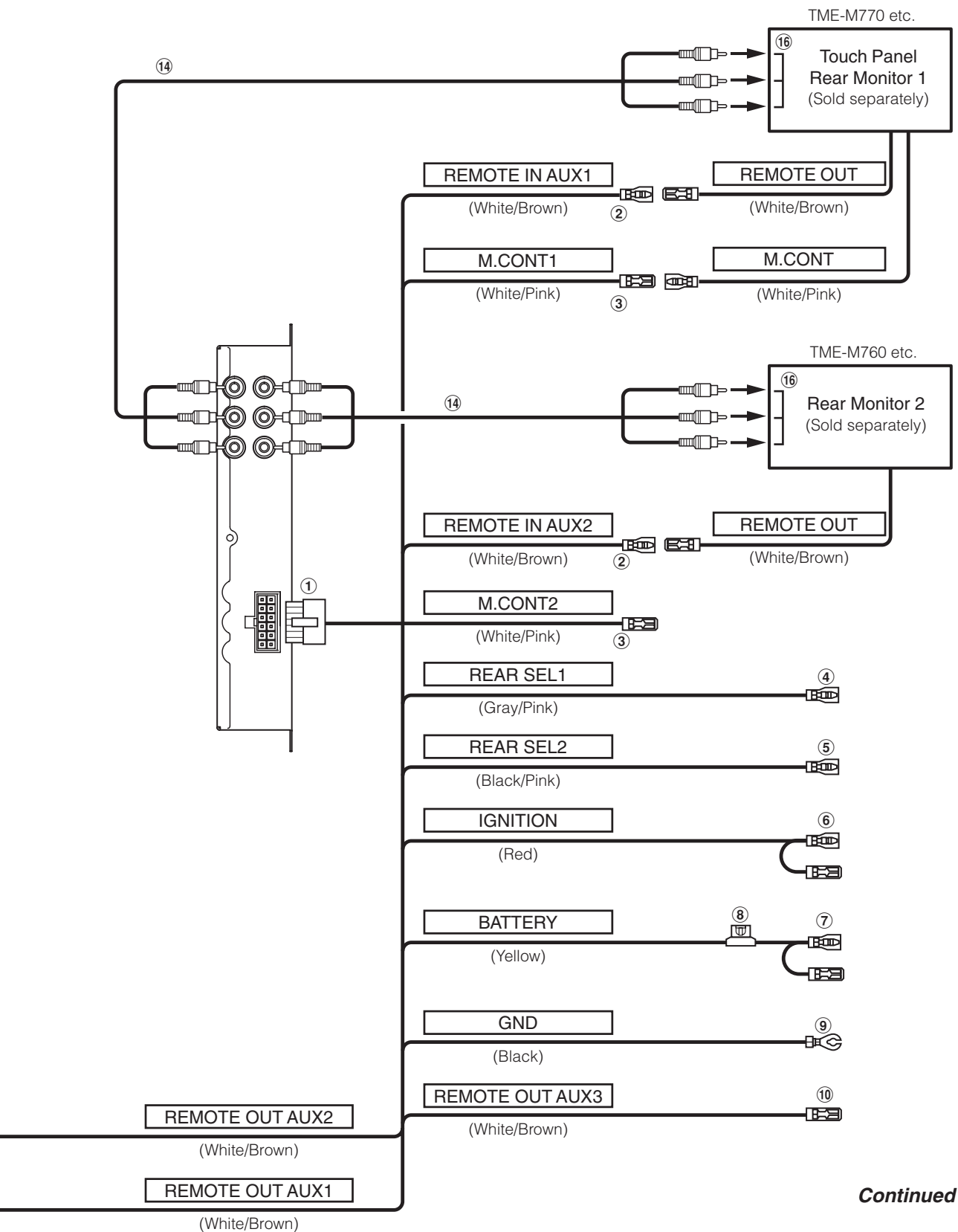
- 1 Using the unit as a template, hold it at its mounting location and mark the holes to be drilled. Before drilling, make sure that there are no objects that could be damaged behind the mounting surface.
- 2 Drill holes and secure the unit with the self-tapping screws (M4 x 14) supplied.



Connections

DVA-5210/DHA-S680 series





Continued

- ① **Power Supply Connector**
- ② **Remote Control Input Lead (White/Brown)**
Connect an external Alpine product to the remote control output lead.
- ③ **Monitor Control Lead (White/Pink)**
Connect to the monitor control lead of the touch panel monitor.
To connect to a monitor which does not correspond to the touch panel, ground the unit with a commercially available switch, etc., and the remote sensor can be switched.
- ④ **Rear Select 1 Lead (Gray/Pink)**
Connect to ground with a push switch etc.
- ⑤ **Rear Select 2 Lead (Black/Pink)**
Connect to ground with a push switch etc.
- ⑥ **Switched Power Lead (Ignition) (Red)**
Connect this lead to an unused terminal on the vehicle's fuse box or another unused power source which provides (+)12V only when the ignition is turned on, or in the accessory position.
- ⑦ **Battery Lead (Yellow)**
Connect this lead to the positive (+) post of the vehicle's battery.
- ⑧ **Fuse Holder (7.5A fuse)**
- ⑨ **Ground lead (Black)**
Connect the lead to a good chassis ground on the vehicle. Make sure the connection is made to bare metal and is securely fastened using the sheet metal screw provided.
- ⑩ **Remote Control Output Lead (White/Brown)**
Connect this lead to the remote control input lead. This lead outputs the control signals from the remote control.
- ⑪ **Head Unit Terminal**
- ⑫ **AV SELECTOR Cable (Included)**
- ⑬ **AV SELECTOR Terminal**
- ⑭ **RCA Extension Cable (Sold separately)**
- ⑮ **AUX OUT Terminal**
- ⑯ **AUX Input Terminal**
- ⑰ **RCA Extension Cable**
- ⑱ **RCA Extension Cable (Included with the DVD Player or DVD Changer)**
- ⑲ **Audio Output Connector**
- ⑳ **Video Output Connector**
- ㉑ **Video Output Terminal**
- ㉒ **Ai-NET Connector**
- ㉓ **Ai-NET Cable (Included with the DVD Player or DVD Changer)**

- Refer to the instruction manuals of the connected devices.
- To connect with IVA-D300 series, some settings are necessary in IVA-D300 series. Refer to the operating instructions of IVA-D300 series for details.

- *1 For details about connection to a DVD changer, refer to the Owner's Manuals of the DVD changer and the IVA-D300 series.
- *2 Navigation (if connected to IVA-D300 series) picture and sounds can be output to the rear monitor. Set AUX IN-3 NAME to "NAV."
- *3 If IVA-D300 series is connected, remove the head unit connector cover. If IVA-D300 series is not connected, leave the head unit connector cover on.

Specifications

External dimensions

Wide	180mm (7-3/32")
Height	160mm (6-5/16")
Depth	35mm (1-3/8")
Weight	0.75kg (1lbs. 10oz)