



# TUE-T112P

## MOBILE TV TUNER SYSTEM

- **OWNER'S MANUAL**  
Please read before using this equipment.
- **BEDIENUNGSANLEITUNG**  
Lesen Sie diese Bedienungsanleitung bitte vor Gebrauch des Gerätes.
- **MODE D'EMPLOI**  
Veuillez lire avant d'utiliser cet appareil.
- **MANUAL DE OPERACIÓN**  
Léalo antes de utilizar este equipo.
- **ISTRUZIONI PER L'USO**  
Si prega di leggere prima di utilizzare l'attrezzatura.
- **ANVÄNDARHANDLEDNING**  
Innan du använder utrustningen bör du läsa igenom denna användarhandledning.

**ALPINE ELECTRONICS, INC.**  
Tokyo office: 1-1-8 Nishi Gotanda,  
Shinagawa-ku,  
Tokyo 141-8501, Japan  
Tel.: (03) 3494-1101

**ALPINE ELECTRONICS OF AMERICA, INC.**  
19145 Gramercy Place, Torrance,  
California 90501, U.S.A.  
Tel.: 1-800-ALPINE-1 (1-800-257-4631)

**ALPINE ELECTRONICS OF CANADA, INC.**  
Suite 203, 7300 Warden Ave. Markham,  
Ontario L3R 9Z6, Canada  
Tel.: 1-800-ALPINE-1 (1-800-257-4631)

**ALPINE ELECTRONICS OF AUSTRALIA PTY. LTD.**  
6-8 Fiveways Boulevard Keysborough,  
Victoria 3173, Australia  
Tel.: (03) 9769-0000

**ALPINE ELECTRONICS GmbH**  
Frankfurter Ring 117 80807 Munich, Germany  
Tel.: 089-32 42 640

**ALPINE ITALIA S.p.A.**  
Via C. Colombo 8, 20090 Trezzano Sul Naviglio  
MI, Italy  
Tel.: 02-48 47 81

**ALPINE ELECTRONICS (BENELUX) GmbH**  
Leuvensesteenweg 510-B6,  
1930 Zaventem, Belgium  
Tel.: 02-725 1315

**ALPINE ELECTRONICS FRANCE S.A.R.L.**  
(RCS PONTOISE B 338 101 280)  
98, Rue De La Belle Etoile, Z.I. Paris Nord II  
B.P. 50016 F-95945, Roissy, Charles De Gaulle  
Cedex, France  
Tel.: 01-48 63 89 89

**ALPINE ELECTRONICS OF U.K., LTD.**  
13 Tanners Drive, Blakelands, Milton Keynes  
MK14 5BU, U.K.  
Tel.: 01908-61 15 56

**ALPINE ELECTRONICS DE ESPAÑA, S.A.**  
Portal De Gamarra 36, Pabellón 32  
01013 Vitoria (Alava)-Apdo. 133, Spain  
Tel.: 34-45-283588

EN

DE

FR

ES

IT

SE

# Contents

---

## Operating instructions



### WARNING

---

WARNING .....	2
CAUTION.....	2
PRECAUTIONS.....	3

## Controls and Features

---

TV tuner unit .....	4
Remote controller.....	5
Remote Controller Battery Replacement.....	6

## Basic Operations

---

Watching television .....	7
Storing channels in memory (auto memory).....	8
Setting the channel selection .....	9
Watching playback of external component .....	10
Adjusting the headphone volume.....	11

## Maintenance

---

## Information

---

In Case of Difficulty .....	13
Specifications.....	14

## Installation instructions

### Installation and Connections

---

WARNING .....	16
CAUTION .....	16
PRECAUTIONS.....	17
Before installing .....	17
Installing the antenna .....	20

### Electrical Connections

---

Typical Connections .....	21
---------------------------	----

## Troubleshooting

---



# WARNING

---



## WARNING

This symbol means important instructions. Failure to heed them can result in serious injury or death.

---

**BE SURE TO INSTALL THE MONITOR ON TOP OF THE DASHBOARD TO PREVENT IT FROM OBSTRUCTING VISIBILITY.**

Any function that requires your prolonged attention should only be performed after coming to a complete stop. Always stop the vehicle in a safe location before performing these functions. Failure to do so may result in an accident.

---

**DO NOT DISASSEMBLE OR ALTER.**

Doing so may result in an accident, fire or electric shock.

---

**USE THIS PRODUCT FOR MOBILE 12V APPLICATIONS.**

Use for other than its designed application may result in fire, electric shock or other injury.

---

**KEEP SMALL OBJECTS SUCH AS BATTERY OUT OF THE REACH OF CHILDREN.**

Swallowing them may result in serious injury. If swallowed, consult a physician immediately.

---

**USE THE CORRECT AMPERE RATING WHEN REPLACING FUSES.**

Failure to do so may result in fire or electric shock.



## CAUTION

This symbol means important instructions. Failure to heed them can result in injury or material property damage.

---

**HALT USE IMMEDIATELY IF A PROBLEM APPEARS.**

Failure to do so may cause personal injury or damage to the product. Return it to your authorized Alpine dealer or the nearest Alpine Service Center for repairing.

---

**DO NOT MIX NEW BATTERIES WITH OLD BATTERIES. INSERT WITH THE CORRECT BATTERY POLARITY.**

When inserting the batteries, be sure to observe proper polarity (+ and -) as instructed. Rupture or chemical leakage from the battery may cause fire or personal injury.



## **PRECAUTIONS**

---

### **Temperature**

Be sure the temperature inside the vehicle is between +45°C (+113°F) and 0°C (+32°F) before turning your unit on.

---

### **Fuse Replacement**

When replacing the fuse(s), the replacement must be of the same amperage as shown on the fuse holder. If the fuse(s) blows more than once, carefully check all electrical connections for shorted circuitry. Also have your vehicle's voltage regulator checked.

---

### **Maintenance**

If you have problems, do not attempt to repair the unit yourself. Return it to your Alpine dealer or the nearest Alpine Service Station for servicing.

---

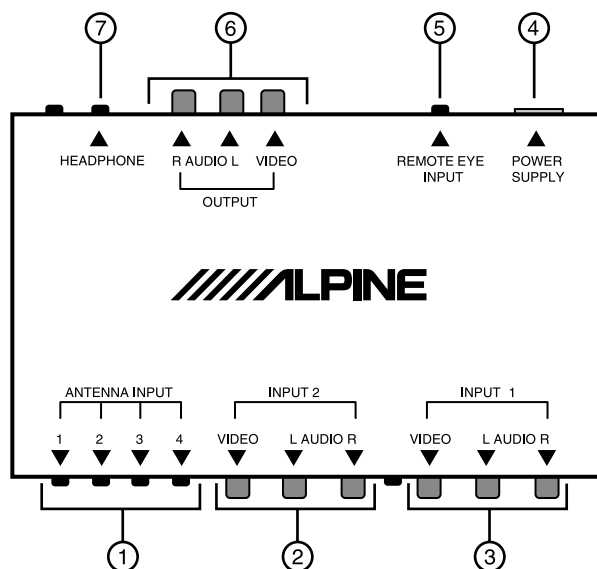
### **Installation Location**

Make sure the TUE-T112P will not be exposed to:

- Direct sun and heat
- High humidity
- Excessive dust
- Excessive vibrations

# Controls and Features

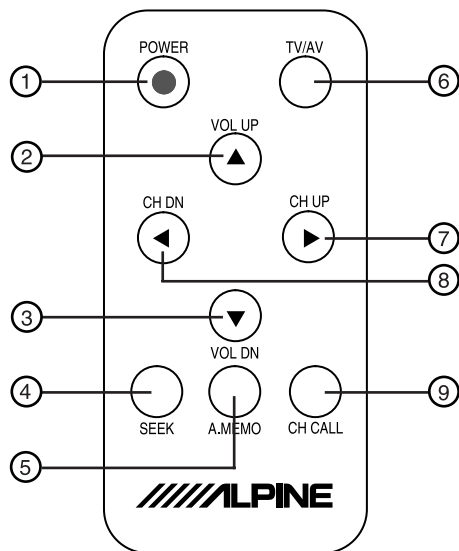
## TV tuner unit



- ① **ANTENNA INPUT jacks (for connecting the diversity antenna)**
- ② **INPUT 2 jacks**
  - VIDEO
  - AUDIO L
  - AUDIO R
- ③ **INPUT 1 jacks**
  - VIDEO
  - AUDIO L
  - AUDIO R
- ④ **POWER SUPPLY connector**
- ⑤ **REMOTE EYE INPUT**
- ⑥ **OUTPUT jacks**
  - VIDEO
  - AUDIO L
  - AUDIO R
- ⑦ **HEADPHONE jack**

# Remote controller

---



- ① **POWER button (7)**
- ② **VOL UP (Headphone volume up) button (11)**
- ③ **VOL DN (Headphone volume down) button (11)**
- ④ **SEEK button (9)**
- ⑤ **A.MEMO (Auto memory) button (8)**
- ⑥ **TV/AV button (7, 8, 9, 10)**
- ⑦ **CH UP (Channel up) button (7)**
- ⑧ **CH DN (Channel down) button (7)**
- ⑨ **CH CALL button (10)**

Before using the remote controller:

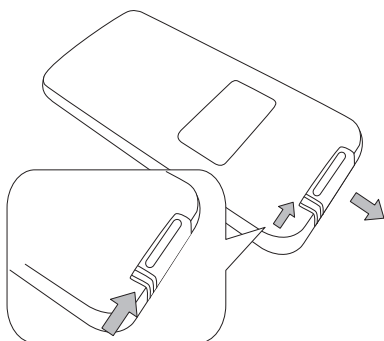
- Aim the remote controller directly at the remote sensor on the color monitor. Make sure there is no obstacle in between.
- Do not expose the remote sensor to strong light (direct sunlight or artificial lighting).

# Remote Controller Battery Replacement

Battery type: CR2025 battery or equivalent.

## 1 Opening the battery case

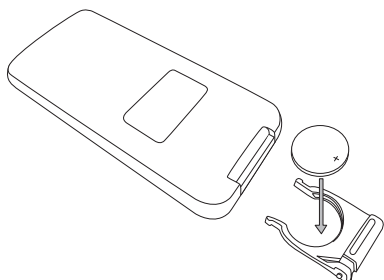
Slide out the battery cover while firmly pressing in the direction of the arrow.



## 2 Replacing the battery

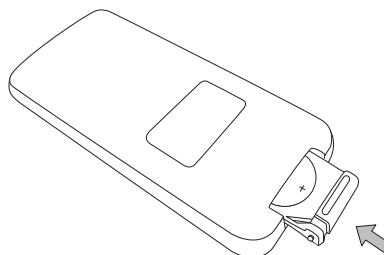
Put the battery in the case with the (+) indication upward as shown in the illustration.

- Placing a battery in backwards way may cause a malfunction.



## 3 Closing the cover

Slide the cover as illustrated until a click is heard.



## WARNING

**DO NOT OPERATE ANY FUNCTION THAT TAKES YOUR ATTENTION AWAY FROM SAFELY DRIVING YOUR VEHICLE.**

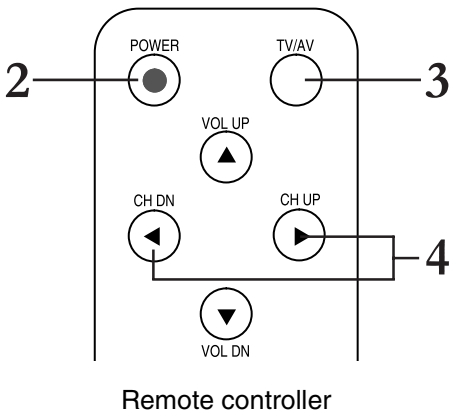
Any function that requires your prolonged attention should only be performed after coming to a complete stop. Always stop the vehicle in a safe location before performing these functions. Failure to do so may result in an accident.

# Basic Operations

## Watching television

### Preparation

Before operating the system, make sure that all external components are correctly connected and installed. For connecting the external components, refer to the instructions and the installations supplied with the external components.



Remote controller

- 1 If the system is connected to the parking brake system:  
Engage the parking brake and turn on the engine.  
If the system is not connected to the parking brake system:  
Turn on the engine.
- 2 Turn on the power.  
Press the POWER button on the remote controller.

- 3 Select TV as the input source.  
Press the TV/AV button on the remote controller repeatedly to select TV.

- 4 Select the channel you want to watch.  
Press the CH UP or CH DN on the remote controller to change the channels.

**If the channel selection is set to “AUTO”** (See page 9.)

You can select only the channels preset by the auto memory function. (See page 8.)

**If the channel selection is set to “MANUAL”** (See page 9.)

You can select all the channels. (Channel coverage: VHF channels 1 to 12, UHF channels 21 to 69)

- 5 Adjust the volume level on the car receiver.

### To turn off the power

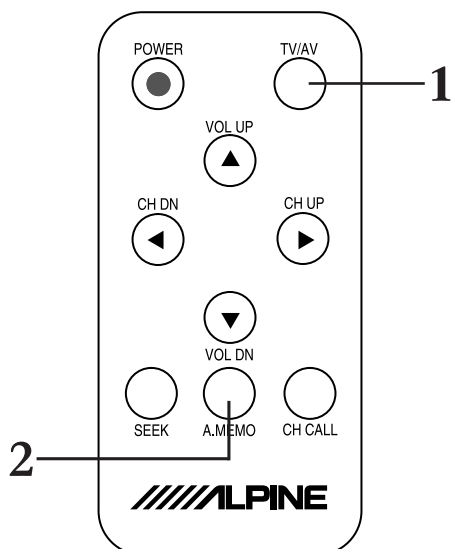
Press the POWER button on the remote controller.

- Turning off the engine will also turn off the TV tuner system.



## Storing channels in memory (auto memory)

The auto memory function picks up the TV broadcast signals in the area where you are and stores them automatically in memory.



When scanning is over, the screen shows the TV program of the smallest channel number in memory.

### NOTES

- TV stations with weak signals are not be picked up, therefore not being stored in memory.
- If you drive from one broadcasting area to another, the stored channels will not be tuned in. In this case, perform the auto memory function again to store the stations in another area.

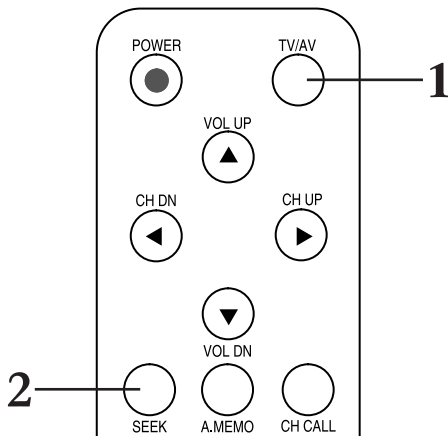
- 1** Select TV as the input source.  
Press the TV/AV button on the remote controller repeatedly to select TV.
- 2** Start scanning TV broadcast signals.  
Press the A.MEMO button on the remote controller.  
The auto memory function starts and TV broadcast signals are picked up and stored in memory while scanning.

# Setting the channel selection

---

You can set the channel selection method either to select only the receivable channels in memory or to select all the channels.

Remember that if you want to select only the receivable channels, you must store the channels first. To store them, see page 8.



Remote controller

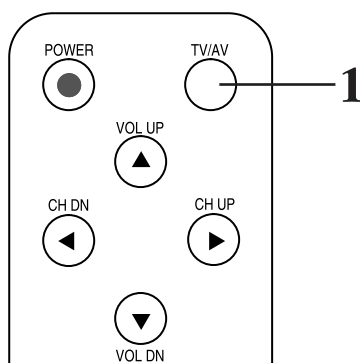
- AUTO:** Only the receivable channels stored in memory can be selected. When you change the channel, channel number and “AUTO” appear on the screen for a while.
- MANUAL:** All the channels can be selected. (Channel coverage: VHF channels 1 to 12, UHF channels 21 to 69)

- 1** Select TV as the input source.  
Press the TV/AV button on the remote controller repeatedly to select TV.
- 2** Set the channel selection to “AUTO” or “MANUAL.”  
Press the SEEK button on the remote controller.  
Each time you press the button, the channel selection alternates between “AUTO” and “MANUAL.”

## Watching playback of external component

You can connect up to 2 external video components to the TV tuner unit.

To watch the playback, first follow steps 1 and 2 on page 7, then perform the following steps.



Remote controller

### 1 Select the input source.

Press the TV/AV button on the remote controller to select the input source you want.

Each time you press the button, the input source changes as follows:



The selected input source name also appears on the screen for 3 seconds.



Ex: When AUX1 is selected

### 2 Play back the external component.

To operate the external components, refer to the manuals of the connected components.

### 3 Adjust the volume level on the car receiver.

#### To check the current input source

Press the CH CALL button on the remote controller.

The current input source name appears on the screen for 3 seconds.

#### To turn off the power

Press the POWER button on the remote controller.

- Turning off the engine will also turn off the TV tuner system.

#### NOTES

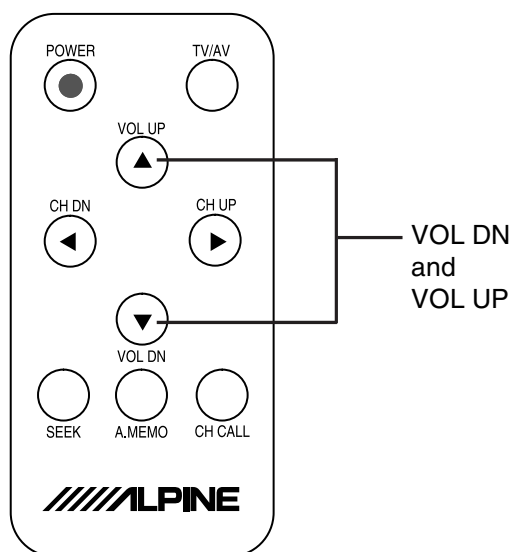
- When you watch the screen aslant, the picture might not be clear. This is not a malfunction. The finest picture can be seen when you watch the screen straight.

# Adjusting the headphone volume

---

Press and hold the VOL UP or VOL DN button to adjust the headphone volume.

You can adjust the volume level between 0 and 35.



The headphone volume level appears on the screen.

## **NOTE**

*This adjustment is only for the connected headphones but not for the speakers in the car. When adjusting the speaker volume, adjust it by using the car receiver.*

# Maintenance

---

## To prevent damage to the system exterior

- Do not apply pesticides, benzine, thinner or other volatile substances to the unit.  
The cabinet surface primarily consists of plastic materials.
- Do not wipe with benzine, thinner or similar substances because this will result in discoloration or removal of the paint.
- When a cloth with a cleansing chemical is used, follow the caution points:
  - Do not leave the unit in contact with rubber or vinyl products for long periods of time.
  - Do not use cleansers which have polishing granules because this could damage the surface of the unit.

## Clean dirt by wiping lightly with a soft cloth

When the unit is very dirty, wipe with a well-wrung cloth dipped in a kitchen cleanser (neutral) thinned by water and then go over the same surface with a dry cloth.

(Since there is the possibility of water drops getting inside of the unit, do not directly apply cleanser to the surface.)



## CAUTION

If water drops or similar wet substances get inside of the monitor via the liquid crystal panel surface, it may cause a malfunction.

# Information

## In Case of Difficulty

If you encounter a problem, please review the items in the following checklist. This guide will help you isolate the problem if the unit is at fault. Otherwise, make sure the rest of your system is properly connected or consult your authorized Alpine dealer.

### No power supplied.

- Vehicle's ignition is off.
  - Turn the ignition on.
- No fuse or blown fuse.
  - Check the cause and replace the fuse.
- Incorrect connections.
  - Check connection and remedy.
- Vehicle's battery is weak.
  - Check the voltage of vehicle's battery.

### Remote control does not work.

- Battery is worn out.
  - Replace battery.
- Incorrect battery insertion.
  - Insert battery correctly.
- Remote control does not point remote control sensor.
  - Operate remote control so that it faces the sensor.
- Remote control sensor or remote control transmitter window is dirty.
  - Clean remote control sensor or transmitter window.

### Picture not clear or noises appear.

- Poor signal strength.
- Out of service area of station being received.
  - Check by moving car in other location.
- Fluorescent tube is exhausted.
  - Replace the fluorescent tube.\*

### No picture obtained.

- Mode switch is not set to a desired mode.
  - Select desired mode by pressing TV/NAV./VIDEO button.
- Temperature inside car is high.
  - Lower the temperature.
- Poor connections between monitor and tuner.
  - Check connections.

### Dots or stripes appear on picture.

- Affected from neon sign, high voltage line, amateur radio transmission, cars, etc.
  - Move car to a location free from interference.

### Double or triple pictures or rolling picture appear.

- Signals are reflected by mountain or buildings near car.
  - Move car to other locations. Adjust location, direction and height of antenna.

### Noises appear in car radio.

- High frequency signals from TV are received by car radio.
  - Keep away antenna leads and other wire leads from TV.

## Too much voice noise is heard.

- TV area is improper.
  - Confirm the setting for a TV area.

## Audio interruption function does not work in combination with navigation system.

- TV channel 56 is received.
  - Switch channel other than 56.
- Poor connection of guide control input cord.
  - Connect guide control cord of navigation securely.

## Channel display is incorrect.

- The field strength is low.
  - Move the car to other location and check it again.

## Picture becomes whitish.

- Located under a TV tower.
  - Move the car to other location to use it.
  - If you want to use in that location, turn the TV antenna's booster switch to off position.
- \* The fluorescent tube replacement is not free of charge even within the warranty period, for the tube is an article of consumption.

## TV/AV button does not work well.

- Even if pressing the TV/AV button, TV area setup menu screen does not come out.
  - Press the button after changing TV band to TV1 or TV2. It cannot be operated if it is TV3.

## TV area cannot be changed.

- Even if trying to change the TV area, it stays to be the former one.
  - Change the TV area again, and press and hold the TV/AV button at least 1 second.

## Specifications

---

### TV TUNER UNIT

#### Input

Antenna: ..... Mini-jack × 4  
Video: ..... RCA pin × 2 circuits  
1 V(p-p), 75 Ω  
Audio: ..... RCA pin × 2 circuits  
0.5 V(rms)  
Remote in: ..... Stereo mini-jack × 1

#### Output

Video: ..... RCA pin × 1 circuit  
1 V(p-p), 75 Ω  
Audio: ..... RCA pin × 1 circuit  
0.5 V(rms)  
Headphone: ..... Stereo mini-jack × 1  
0 mW to 15 mW per channel output  
into 32 Ω  
Dimensions (W × H × D):  
..... 163 mm × 28.5 mm × 120 mm  
Mass: ..... 0.6 kg

### GENERAL

Channel coverage: ..... VHF: ch 1 – 12  
UHF: ch 21 – 69  
Power Requirement  
Operating Voltage: ..... DC 14.4 V  
(11 V to 16 V allowance)  
Grounding System:.. Negative ground  
Allowable Operating Temperature:  
..... 0°C to +40°C  
Allowable Storage Temperature:  
..... -20°C to +80°C

Design and specifications subject to change without notice.

**DIVERSITY ANTENNA**

Output impedance  
..... 75 ohms, 3.5 ø mini-jack  
Operating Voltage  
.....DC14.4V (11 to 16V)  
Operating Current .....50mA  
Operating Temperature Range  
.....-10°C ~ +60°C





# Installation and Connections

**Before installing or connecting the unit, please read the following and pages 2 and 3 of this manual thoroughly for proper use.**

## **WARNING**

---

### **MAKE THE CORRECT CONNECTIONS.**

Failure to make the proper connections may result in fire or product damage.

---

### **USE ONLY IN CARS WITH A 12 VOLT NEGATIVE GROUND.**

(Check with your dealer if you are not sure.) Failure to do so may result in fire, etc.

---

### **BEFORE WIRING, DISCONNECT THE CABLE FROM THE NEGATIVE BATTERY TERMINAL.**

Failure to do so may result in electric shock or injury due to electrical shorts.

---

### **DO NOT SPLICE INTO ELECTRICAL CABLES.**

Never cut away cable insulation to supply power to other equipment. Doing so will exceed the current carrying capacity of the wire and result in fire or electric shock.

---

### **DO NOT USE BOLTS OR NUTS IN THE BRAKE OR STEERING SYSTEMS TO MAKE GROUND CONNECTIONS.**

Bolts or nuts used for the brake or steering systems (or any other safety-related system), or tanks should NEVER be used for installation or ground connections. Using such parts could disable control of the vehicle and cause fire, etc.

---

### **KEEP SMALL OBJECTS SUCH AS BATTERY OUT OF THE REACH OF CHILDREN.**

Swallowing them may result in serious injury. If swallowed, consult a physician immediately.

---

### **DO NOT INSTALL IN LOCATIONS WHICH MIGHT HINDER VEHICLE OPERATION, SUCH AS THE STEERING WHEEL OR GEARSHIFT.**

Doing so may obstruct forward vision or hamper movement etc. and results in serious accidents.

## **CAUTION**

---

### **HAVE THE WIRING AND INSTALLATION DONE BY EXPERTS.**

The wiring and installation of this unit requires special technical skill and experience. To ensure safety, always contact the dealer where you purchased this product to have the work done.

---

### **USE SPECIFIED ACCESSORY PARTS AND INSTALL THEM SECURELY.**

Be sure to use only the specified accessory parts. Use of other than designated parts may damage this unit internally or may not securely install the unit in place. This may cause parts to become loose resulting in hazards or product failure.

---

### **ARRANGE THE WIRING SO IT IS NOT CRIMPED OR PINCHED BY A SHARP METAL EDGE.**

Route the cables and wiring away from moving parts (like the seat rails) or sharp or pointed edges. This will prevent crimping and damage to the wiring. If wiring passes through a hole in metal, use a rubber grommet to prevent the wire's insulation from being cut by the metal edge of the hole.

---

### **DO NOT INSTALL IN LOCATIONS WITH HIGH MOISTURE OR DUST.**

Avoid installing the unit in locations with high incidence of moisture or dust. Moisture or dust that penetrates into this unit may result in product failure.



## PRECAUTIONS

---

- Be sure to disconnect the cable from the (-) battery post before installing your TUE-T112P. This will reduce any chance of damage to the unit in case of a shortcircuit.
- Be sure to connect the color coded leads according to the diagram. Incorrect connections may cause the unit to malfunction or damage the vehicle's electrical system.
- When making connections to the car's electrical system, be aware of the factory installed components (e.g. on-board computer). Do not tap into these leads to provide power for this unit. When connecting the TUE-T112P to the fuse box, make sure the fuse for the intended circuit of the TUE-T112P has the appropriate amperage. Failure to do so may result in damage to the unit and/or the vehicle. When in doubt, consult your ALPINE dealer.
- The TUE-T112P uses female RCA-type jacks for connection to other units (e.g. amplifier) having RCA connectors. You may need an adaptor to connect other units. If so, please contact your authorized ALPINE dealer for assistance.

### IMPORTANT

Please record the serial number of your unit in the space provided below and keep it as a permanent record. The serial number plate is located on the bottom of the unit.

SERIAL NUMBER: \_\_\_\_\_

INSTALLATION DATE: \_\_\_\_\_

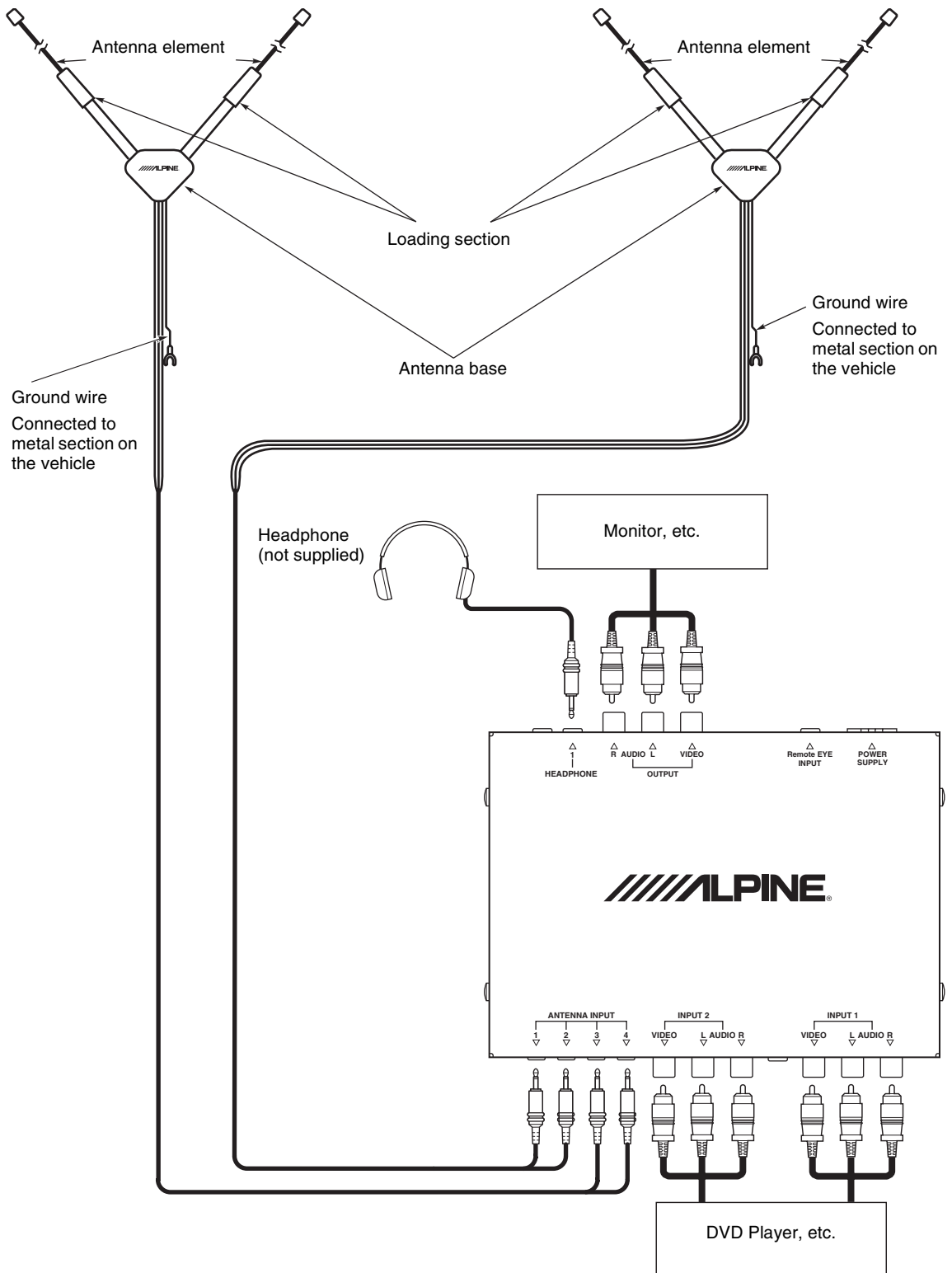
INSTALLATION TECHNICIAN: \_\_\_\_\_

PLACE OF PURCHASE: \_\_\_\_\_

## Before installing

---

- The diversity antenna supplied with this unit is designed specifically for use with the ALPINE mobile color monitor system. (It cannot be connected to the car radio.)
- Do not rub the antenna or the antenna's cable with alcohol, benzine, thinner, gasoline or other volatile substances.
- Attach to the inside of the car window glass.
- Be sure to wipe the window surface where the antenna will be attached with a clean cloth to remove moisture, dirt, dust, wax, oil or other substances. (If there is moisture, oil or other wet substances on the attachment surface, the attachment tape will not stick well and easily come off.)
- Be sure to attach the antenna so that the adhesive surface is not on glass heating wires or glass antenna wires.
- Identify the exact attachment location and confirm that the antenna will not interfere with a heating wire, glass antenna or wiper motor.

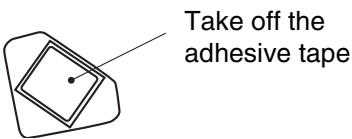


**When the attachment surface overlaps with a heating wire or glass antenna**

a For the antenna base

Attach the antenna base to the location where it does not overlap with a heating wire or glass antenna.

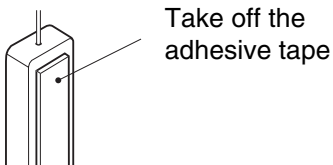
Antenna base



b For the loading section

Attach the loading section to the location where it does not overlap with a heating wire or glass antenna.

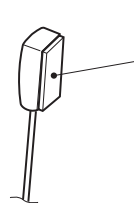
Loading section



c For the antenna element's end

Attach the antenna element's end to the location where it does not overlap with a heating wire or glass antenna.

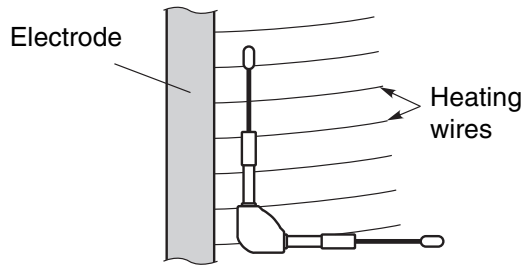
Antenna element's end



Take off the adhesive tape

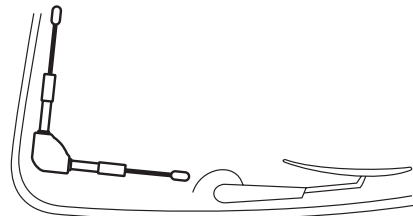
**When the attachment surface overlaps with an electrode**

Attach the antenna to either the left or right of the electrode.



**When the attachment surface interferes with a rear wiper motor or a high-mounted brake light**

Move the antenna's attachment position upwards to avoid interference.

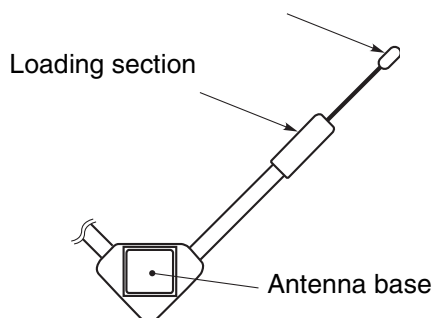


# Installing the antenna

---

- 1 Remove the cover paper from the antenna base tape and attach to the surface.
- 2 Remove the cover paper from the loading section tape and attach to the surface.
- 3 Remove the cover paper from the antenna element's end tape and attach to the surface.

Antenna element's end



# Electrical Connections

To prevent short circuits, we recommend that you disconnect the battery's negative terminal and make all electrical connections before installing the unit. If you are not sure how to install this unit correctly, have it installed by a qualified technician.

## NOTE

*This unit is designed to operate on 12 V DC, NEGATIVE ground electrical systems. If your vehicle does not have this system, a voltage inverter is required, which can be purchased at ALPINE IN-CAR ENTERTAINMENT.*

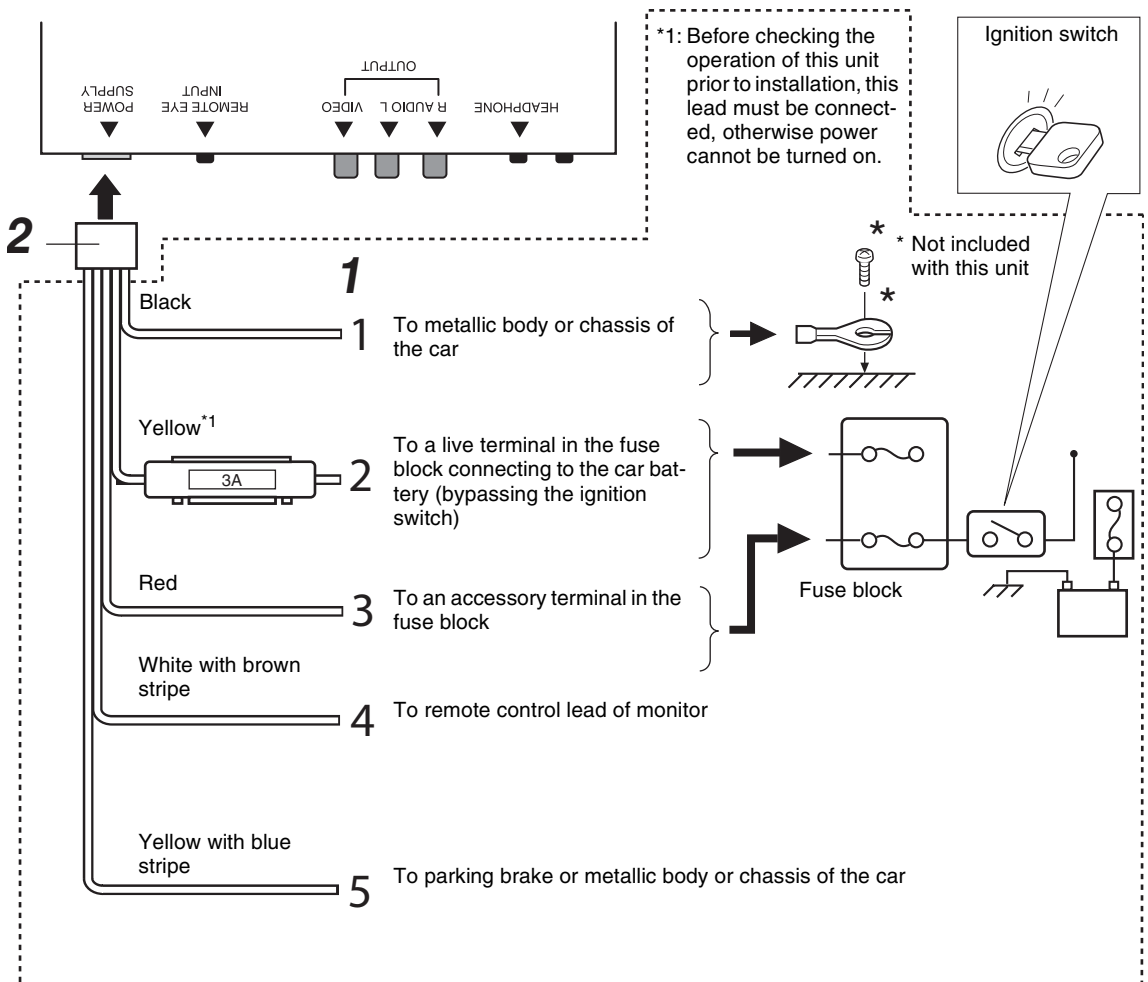
- *Replace the fuse with one of the specified ratings. If the fuse blows frequently, consult your ALPINE IN-CAR ENTERTAINMENT.*

## Typical Connections

### Before connecting:

- Check the wiring in the vehicle carefully. Incorrect connection may cause serious damage to this unit.

- 1 Connect the colored leads of the power cord to the car battery, remote control and parking brake in the following sequence.
  - 1 Black: ground
  - 2 Yellow: to car battery (constant 12 V)
  - 3 Red: to an accessory terminal
  - 4 White with brown stripe: to remote control lead of monitor
  - 5 Yellow with blue stripe: to parking brake or metallic body or chassis of the car
- 2 Finally connect the wiring harness to the unit.



# Troubleshooting

---

## **The fuse blows.**

- Are the yellow and black leads connected correctly?

## **Power cannot be turned on.**

- Is the red lead connected?

## **Picture does not come on screen.**

- Is the parking brake engaged?
- Is the yellow, blue striped cord correctly connected?

## **Picture does not appear clearly.**

- Is the color monitor installed at the right angle?