



TME-M710

6.5-INCH WIDE LCD MONITOR

- **OWNER'S MANUAL**
Please read before using this equipment.
- **BEDIENUNGSANLEITUNG**
Lesen Sie diese Bedienungsanleitung bitte vor
Gebrauch des Gerätes.
- **MODE D'EMPLOI**
Veuillez lire avant d'utiliser cet appareil.
- **MANUAL DE OPERACIÓN**
Léalo antes de utilizar este equipo.
- **ISTRUZIONI PER L'USO**
Si prega di leggere prima di utilizzare il
attrezzatura.
- **ANVÄNDARHANDLEDNING**
Innan du använder utrustningen bör du läsa
igenom denna användarhandledning.
- **用戶說明書**
使用本裝置前請詳細閱讀本使用說明書。

ALPINE ELECTRONICS, INC.

1-1-8 Nishi Gotanda,
Shinagawa-ku, Tokyo 141-0031, Japan
Phone 03-5496-8231

ALPINE ELECTRONICS OF AMERICA, INC.

19145 Gramercy Place, Torrance,
California 90501, U.S.A.
Phone 1-800-ALPINE-1 (1-800-257-4631)

ALPINE ELECTRONICS OF CANADA, INC.

777 Supertest Road, Toronto,
Ontario M3J 2M9, Canada
Phone 1-800-ALPINE-1 (1-800-257-4631)

ALPINE ELECTRONICS OF AUSTRALIA PTY. LTD.

161-165 Princes Highway, Hallam
Victoria 3803, Australia
Phone 03-8787-1200

ALPINE ELECTRONICS GmbH

Frankfurter Ring 117, 80807 München,
Germany
Phone 089-32 42 640

ALPINE ELECTRONICS OF U.K., LTD.

Fletchamstead Highway,
Coventry CV4 9TW, U.K.
Phone 0870-33 33 763

ALPINE ELECTRONICS FRANCE S.A.R.L.

(RCS PONTOISE B 338 101 280)
98, Rue de la Belle Etoile, Z.I. Paris
Nord II, B.P. 50016, 95945, Roissy
Charles de Gaulle Cedex, France
Phone 01-48 63 89 89

ALPINE ITALIA S.p.A.

Viale C. Colombo 8,
20090 Trezzano Sul Naviglio (MI), Italy
Phone 02-48 47 81

ALPINE ELECTRONICS DE ESPAÑA, S.A.

Portal de Gamarra 36, Pabellón, 32
01013 Vitoria (Alava) - APDO 133, Spain
Phone 945-283588

EN

DE

FR

ES


IT

SE

CH

Contents

Operating Instructions

 WARNING	
WARNING	2
CAUTION	3
PRECAUTIONS	3

Basic Operation

Screen Display ON/OFF	4
Adjusting the Volume	4
Switching the Source	4
Switching the Screen Position	4
Switching the display mode	5
Adjusting	5

Information

In Case of Difficulty	9
Specifications	10

Installation and Connections

Warning	11
Caution	11
Precautions	12
Installation	13
Connections	16

WARNING

WARNING

**This symbol means important instructions.
Failure to heed them can result in serious
injury or death.**

DO NOT OPERATE ANY FUNCTION THAT TAKES YOUR ATTENTION AWAY FROM SAFELY DRIVING YOUR VEHICLE.

Any function that requires your prolonged attention should only be performed after coming to a complete stop. Always stop the vehicle in a safe location before performing these functions. Failure to do so may result in an accident.

KEEP THE VOLUME AT A LEVEL WHERE YOU CAN STILL HEAR OUTSIDE NOISE WHILE DRIVING.

Failure to do so may result in an accident.

MINIMIZE DISPLAY VIEWING WHILE DRIVING.

Viewing the display may distract the driver from looking ahead of the vehicle and cause an accident.

DO NOT DISASSEMBLE OR ALTER.

Doing so may result in an accident, fire or electric shock.

USE THIS PRODUCT FOR MOBILE 12V APPLICATIONS.

Use for other than its designed application may result in fire, electric shock or other injury.

KEEP SMALL OBJECTS SUCH AS BATTERY OUT OF THE REACH OF CHILDREN.

Swallowing them may result in serious injury. If swallowed, consult a physician immediately.

USE THE CORRECT AMPERE RATING WHEN REPLACING FUSES.

Failure to do so may result in fire or electric shock.

DO NOT WATCH VIDEO WHILE DRIVING.

Watching the video may distract the driver from looking ahead of the vehicle and cause an accident.

INSTALL THE PRODUCT CORRECTLY SO THAT THE DRIVER CANNOT WATCH TV/VIDEO UNLESS THE VEHICLE IS STOPPED AND THE EMERGENCY BRAKE IS APPLIED.

It is dangerous for the driver to watch TV/Video while driving a vehicle. Installing this product incorrectly enables the driver to watch TV/Video while driving. This may cause a distraction, preventing the driver from looking ahead, thus causing an accident. The driver or other people could be severely injured.

CAUTION

This symbol means important instructions. Failure to heed them can result in injury or material property damage.

HALT USE IMMEDIATELY IF A PROBLEM APPEARS.

Failure to do so may cause personal injury or damage to the product. Return it to your authorized Alpine dealer or the nearest Alpine Service Centre for repairing.

PRECAUTIONS

Temperature

Be sure the temperature inside the vehicle is between +45°C (+113°F) and 0°C (+32°F) before turning your unit on.

Fuse Replacement

When replacing the fuse(s), the replacement must be of the same amperage as shown on the fuse holder. If the fuse(s) blows more than once, carefully check all electrical connections for shorted circuitry. Also have your vehicle's voltage regulator checked.

Maintenance

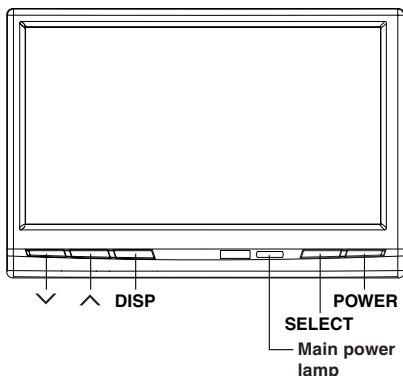
If you have problems, do not attempt to repair the unit yourself. Return it to your Alpine dealer or the nearest Alpine Service Station for servicing.

Installation Location

Make sure the TME-M710 will not be exposed to:

- Direct sun and heat
- High humidity
- Excessive dust
- Excessive vibrations
- After turning the system off, a slight ghost of the image will remain temporarily. This is an effect peculiar to LCD technology and is normal.
- Under cold temperature conditions, the screen may lose contrast temporarily. After a short warm-up period, it will return to normal.

Basic Operation



Switching the Screen Position

If the screen is out of position when, for example, navigation system is connected to the AUX IN 1 or AUX IN 2 terminal by using the RCA extension cable, switch the screen position.

- 1 Switch the mode to AUX1 or AUX2 to display the navigation screen.
- 2 Press and hold the **DISP** button for at least 2 seconds.
Press and hold the **DISP** button again for at least 2 seconds to return the position.

Screen Display ON/OFF

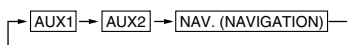
- 1 Press the **POWER** button.
- 2 To turn off the POWER, press the **POWER** button again.
 - If properly connected, the monitor's main POWER will turn off when the vehicle's ignition switch is off. If the main power lamp illuminates in the STAND BY mode, the vehicle's battery may be discharged.
 - After turning the system off, a slight ghost of the image will remain temporarily. This is an effect peculiar to LCD technology and is normal.
 - Under cold temperature conditions, the screen may lose contrast temporarily. After a short warm-up period, it will return to normal.

Adjusting the Volume

- 1 Adjust the volume level by pressing the V or ^ button.

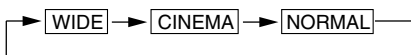
Switching the Source

- 1 Press the **SELECT** button.
Each press of the button will cycle through the modes as follows:



Switching the display mode

- 1 Press the **DISP** button.
Each press of the button will cycle through the modes as follows:



WIDE

Normal images are expanded uniformly in the horizontal direction and are displayed over the entire screen.



CINEMA

Normal images are expanded in the horizontal and vertical directions. The top and bottom of the image are cut off. This mode is suited for 16:9 cinema size images.



NORMAL

Normal image (4:3)

Adjusting

- 1 Press and hold the **SELECT** button for at least 2 seconds.
Adjustment screen will appear.
- 2 Press the **SELECT** or **DISP** button and select the mode to be adjusted.
Adjust by pressing the \wedge or \vee button.

SELECT : Selects the mode. (downward)

DISP : Selects the mode. (upward)

\wedge or \vee : Adjusts.

- ① VISUAL EQ mode (manufacturer's settings) selection (VISUAL EQ MODE)

AUX - 1	NTSC
VISUAL EQ MODE	OFF
BRIGHT	0
COLOR	0
TINT	R 10
CONTRAST	+10
SHARP	MIN

OFF : Default setting.

NIGHT M. : Suitable for movies with a lot of dark scenes.

SOFT : Suitable for movies with computer graphics or animation.

SHARP : Suitable for old movies whose resolution is unclear.

CONTRAST : Suitable for the latest movies.

- Set this function to "OFF" to return to the default values after changing between modes "NIGHT M." and "CONTRAST" and adjusting the image brightness, color density and so on.

- ② Brightness adjustment (BRIGHT)

AUX - 1	NTSC
VISUAL EQ MODE	OFF
BRIGHT	0
COLOR	0
TINT	R 10
CONTRAST	+10
SHARP	MIN

Allows the brightness (-15 (MIN)--+15 (MAX)) of the picture.

Continued

Basic Operation

③ Color depth adjustment (COLOR)

AUX - 1	NTSC
VISUAL EQ MODE	OFF
BRIGHT	0
COLOR	0
TINT	R 0
CONTRAST	+ 10
SHARP	MIN

Change depth can be adjusted from -15 (MIN) to +15 (MAX).

* Adjustment cannot be made in the NAVIGATION (RGB connection) mode.

④ Tint tone adjustment (TINT)

AUX - 1	NTSC
VISUAL EQ MODE	OFF
BRIGHT	0
COLOR	0
TINT	R 10
CONTRAST	+ 10
SHARP	MIN

Tint tone can be adjusted from G15 (G MAX) to R15 (R MAX).

* Adjustment cannot be made in the NAVIGATION (RGB connection) mode.

⑤ Contrast adjustment (CONTRAST)

AUX - 1	NTSC
VISUAL EQ MODE	OFF
BRIGHT	0
COLOR	0
TINT	R 10
CONTRAST	+ 10
SHARP	MIN

Contrast can be adjusted from -15 (LOW) to +15 (HIGH).

⑥ Screen quality adjustment (SHARP)

AUX - 1	NTSC
VISUAL EQ MODE	OFF
BRIGHT	0
COLOR	0
TINT	R 10
CONTRAST	+ 10
SHARP	SOFT

Screen quality can be adjusted from -15 (SOFT) to +15 (HARD).

* Adjustment cannot be made in the NAVIGATION (RGB connection) mode.

- If ② to ⑥ are adjusted, VISUAL EQ mode in ① changes to "CUSTOM".

⑦ Dimmer adjustment (DIMMER)

AUX - 1	NTSC
DIMMER	AUTO
DIMMER HI LEVEL	26
DIMMER LO LEVEL	MIN
SOUND OUT	MONITOR
BEEP	ON
AUX IN-1 LEVEL	HIGH
AUX IN-2 LEVEL	HIGH
NAV. IN	ON
GUIDE CONTROL	STANDARD

AUTO: Turning on/off the headlight switches the screen brightness between DIMMER HI LEVEL and DIMMER LO LEVEL.

LOW : The backlighting is set to the value adjusted at "DIMMER LO LEVEL".

HIGH : The backlighting is set to the value adjusted at "DIMMER HI LEVEL".

⑧ Dimmer HIGH level adjustment (DIMMER HI LEVEL)

AUX - 1	NTSC
DIMMER	AUTO
DIMMER HI LEVEL	26
DIMMER LO LEVEL	MIN
SOUND OUT	MONITOR
BEEP	ON
AUX IN-1 LEVEL	HIGH
AUX IN-2 LEVEL	HIGH
NAV. IN	ON
GUIDE CONTROL	STANDARD

Adjusts the HIGH LEVEL (16 (MIN) to 31 (MAX)) of the dimmer.

⑨ Dimmer LOW level adjustment (DIMMER LO LEVEL)

AUX - 1	NTSC
DIMMER	AUTO
DIMMER HI LEVEL	26
DIMMER LO LEVEL	MIN
SOUND OUT	MONITOR
BEEP	ON
AUX IN-1 LEVEL	HIGH
AUX IN-2 LEVEL	HIGH
NAV. IN	ON
GUIDE CONTROL	STANDARD

Adjusts the LOW LEVEL (0 (MIN) to 15 (MAX)) of the dimmer.

⑩ Change sound output (SOUND OUT)

AUX - 1	NTSC
DIMMER	AUTO
DIMMER HI LEVEL	26
DIMMER LO LEVEL	MIN
SOUND OUT	MONITOR
BEEP	ON
AUX IN-1 LEVEL	HIGH
AUX IN-2 LEVEL	HIGH
NAV. IN	ON
GUIDE CONTROL	STANDARD

MONITOR : Outputs sound through the built-in speakers.

HEADPHONE : Outputs sound to headphones if connected.

* Note that sound will not be output unless the audio output settings are appropriate.

11 Beep tone setting (BEEP)

AUX - 1		NTSC
DIMMER		AUTO
DIMMER HI LEVEL		26
DIMMER LO LEVEL		MIN
SOUND OUT		MONITOR
BEEP		ON
AUX IN-1 LEVEL		HIGH
AUX IN-2 LEVEL		HIGH
NAV. IN		ON
GUIDE CONTROL		STANDARD

ON : Beep tone sounds to inform you that the operation is accepted, when you press the button etc.

12 External input sound level adjustment (AUX IN-1 LEVEL/AUX IN-2 LEVEL)

AUX - 1		NTSC
DIMMER		AUTO
DIMMER HI LEVEL		26
DIMMER LO LEVEL		MIN
SOUND OUT		MONITOR
BEEP		ON
AUX IN-1 LEVEL		HIGH
AUX IN-2 LEVEL		HIGH
NAV. IN		ON
GUIDE CONTROL		STANDARD

HIGH : Sets the sound level at a high level.

LOW : Reduces the sound level.

13 Navigation settings (NAV. IN)

AUX - 1		NTSC
DIMMER		AUTO
DIMMER HI LEVEL		26
DIMMER LO LEVEL		MIN
SOUND OUT		MONITOR
BEEP		ON
AUX IN-1 LEVEL		HIGH
AUX IN-2 LEVEL		HIGH
NAV. IN		OFF

When the navigation is connected to the RGB terminal, set to ON.

14 Guide control setting (GUIDE CONTROL)

AUX - 1		NTSC
DIMMER		AUTO
DIMMER HI LEVEL		26
DIMMER LO LEVEL		MIN
SOUND OUT		MONITOR
BEEP		ON
AUX IN-1 LEVEL		HIGH
AUX IN-2 LEVEL		HIGH
NAV. IN		ON
GUIDE CONTROL		STANDARD

It is audio interruption setting for the navigation system.

For European customers:

Be sure to set to "EUROPE".

For customers in other countries:

Be sure to set to "STANDARD".

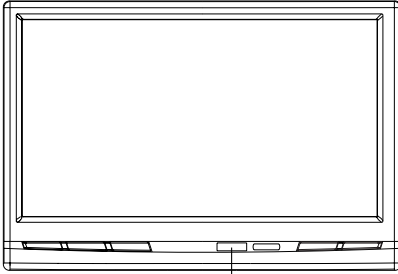
- The setting can be made only when ON is set in "13 Navigation settings (NAV. IN)".

3 After completing adjustments, press and hold the **SELECT** button for at least 2 seconds. The screen will return to the normal mode.

- If no operation is made for 10 seconds after selecting a mode to be adjusted, the adjustment mode will be cleared.

Base Operation

Remote Control Sensor



Remote sensor

- Receives the remote control signal from connected ALPINE products such as navigation and DVD players.

Information

In Case of Difficulty

If you encounter a problem, please review the items in the following checklist. This guide will help you isolate the problem if the unit is at fault. Otherwise, make sure the rest of your system is properly connected or consult your authorized Alpine dealer.

No function or display.

- Car's ignition is off.
 - Turn the ignition on.
- No fuse or blown fuse.
 - Check the cause and replace the fuse.
- Incorrect connections.
 - Check connection and remedy.
- Vehicle's battery is weak.
 - Check the voltage of vehicle's battery.

Unclear picture display.

- Fluorescent tube is exhausted.
 - Replace the fluorescent tube*.

No picture display.

- Brightness control is set for minimum brightness control.
 - Adjust the brightness.
- Incorrect setting of the VTR mode.
 - Switch to the correct mode.
- Protective circuit is on because of high temperature.
 - Wait until the temperature inside the vehicle comes down to the operating temperature range (45°C).
- Incorrect or open connection with the Monitor, AV interface unit.
 - Check the connection and remedy.

Picture color is poor.

- Brightness/Color/Tint control are not set to the proper positions.
 - Check each control.

Spots or dotted lines/stripes appear.

- Caused by neon signs, high-voltage power lines, CB transmitter, other vehicle's ignition plugs, etc.
 - Change the location of your vehicle.

Unit does not operate.

- Monitor's power is not turned on.
 - Turn on the monitor's power.

Navigation screen is not displayed or navigation system's remote controller keys do not work.

- Navigation system's power is turned off.
 - Press the ON/OFF (POWER) button on the navigation system's remote controller to turn the navigation system's power on.

Screen is out of position.

- Navigation system is connected by using the RCA extension cable.
 - Press and hold the DISP button for at least 2 seconds to switch the screen position.
- * The fluorescent tube replacement is not free of charge even within the warranty period, for the tube is an article of consumption.

Information

Specifications

MONITOR

Screen Size	6.5-type
Display System	Low reflection rear projection type TN liquid crystal panel
Drive System	Active matrix drive, normally white display
Number of Picture Elements	280,800 pcs. (H:1200 x V:234 dots)
Effective Number of Picture Elements	99.99% or more
Light Source	Internal optical system (U-type cold cathode fluorescent tube)
Dimensions (W x H x D)	161 x 109 x 28.5mm
Weight	270g

AV Interface Unit

Dimensions (W x H x D)	130.6 x 109 x 30 mm
Weight	400g

- *Due to continuous product improvement, specifications and design are subject to change without notice.*
- *The LCD panel is manufactured using an extremely high precision manufacturing technology. Its effective pixel ratio is over 99.99%. This means that there is a possibility that 0.01% of the pixels could be either always ON or OFF.*

Installation and Connections

Before installing or connecting the unit, please read the following and pages 2 and 3 of this manual thoroughly for proper use.

Warning

MAKE THE CORRECT CONNECTIONS.

Failure to make the proper connections may result in fire or product damage.

USE ONLY IN CARS WITH A 12 VOLT NEGATIVE GROUND.

(Check with your dealer if you are not sure.) Failure to do so may result in fire, etc.

BEFORE WIRING, DISCONNECT THE CABLE FROM THE NEGATIVE BATTERY TERMINAL.

Failure to do so may result in electric shock or injury due to electrical shorts.

DO NOT ALLOW CABLES TO BECOME ENTANGLED IN SURROUNDING OBJECTS.

Arrange wiring and cables in compliance with the manual to prevent obstructions when driving. Cables or wiring that obstruct or hang up on places such as the steering wheel, shift lever, brake pedals, etc. can be extremely hazardous.

DO NOT SPLICE INTO ELECTRICAL CABLES.

Never cut away cable insulation to supply power to other equipment. Doing so will exceed the current carrying capacity of the wire and result in fire or electric shock.

DO NOT USE BOLTS OR NUTS IN THE BRAKE OR STEERING SYSTEMS TO MAKE GROUND CONNECTIONS.

Bolts or nuts used for the brake or steering systems (or any other safety-related system), or tanks should NEVER be used for installations or ground connections. Using such parts could disable control of the vehicle and cause fire etc.

KEEP SMALL OBJECTS SUCH AS BATTERY OUT OF THE REACH OF CHILDREN.

Swallowing them may result in serious injury. If swallowed, consult a physician immediately.

DO NOT INSTALL IN LOCATIONS WHICH MIGHT HINDER VEHICLE OPERATION, SUCH AS THE STEERING WHEEL OR SHIFT LEVER.

Doing so may obstruct forward vision or hamper movement etc. and results in serious accident.

DO NOT DAMAGE PIPE OR WIRING WHEN DRILLING HOLES.

When drilling holes in the chassis for installation, take precautions so as not to contact, damage or obstruct pipes, fuel lines, tanks or electrical wiring. Failure to take such precautions may result in fire.

DO NOT INSTALL THE MONITOR NEAR THE PASSENGER SEAT AIR BAG.

If the unit is not installed correctly the air bag may not function correctly and when triggered the air bag may cause the monitor to spring upwards causing an accident and injuries.

Caution

HAVE THE WIRING AND INSTALLATION DONE BY EXPERTS.

The wiring and installation of this unit requires special technical skill and experience. To ensure safety, always contact the dealer where you purchased this product to have the work done.

USE SPECIFIED ACCESSORY PARTS AND INSTALL THEM SECURELY.

Be sure to use only the specified accessory parts. Use of other than designated parts may damage this unit internally or may not securely install the unit in place. This may cause parts to become loose resulting in hazards or product failure.

ARRANGE THE WIRING SO IT IS NOT CRIMPED OR PINCHED BY A SHARP METAL EDGE.

Route the cables and wiring away from moving parts (like the seat rails) or sharp or pointed edges. This will prevent crimping and damage to the wiring. If wiring passes through a hole in metal, use a rubber grommet to prevent the wire's insulation from being cut by the metal edge of the hole.

DO NOT INSTALL IN LOCATIONS WITH HIGH MOISTURE OR DUST.

Avoid installing the unit in locations with high incidence of moisture or dust. Moisture or dust that penetrates into this unit may result in product failure.

Installation and Connections

Precautions

- Be sure to disconnect the cable from the (-) battery post before installing your TME-M710. This will reduce any chance of damage to the unit in case of a short-circuit.
- Be sure to connect the color coded leads according to the diagram. Incorrect connections may cause the unit to malfunction or damage the vehicle's electrical system.
- When making connections to the car's electrical system, be aware of the factory installed components (e.g. on-board computer). Do not tap into these leads to provide power for this unit. When connecting the TME-M710 to the fuse box, make sure the fuse for the intended circuit of the TME-M710 has the appropriate amperage. Failure to do so may result in damage to the unit and/or the vehicle. When in doubt, consult your ALPINE dealer.
- The TME-M710 uses female RCA-type jacks for connection to other units having RCA connectors. You may need an adaptor to connect other units. If so, please contact your authorized ALPINE dealer for assistance.

IMPORTANT

Please record the serial number of your unit in the space provided below and keep it as a permanent record. The serial number plate is located on the rear of the monitor or on the bottom of the AV interface unit.

SERIAL NUMBER: _____
INSTALLATION DATE: _____
INSTALLATION TECHNICIAN: _____
PLACE OF PURCHASE: _____

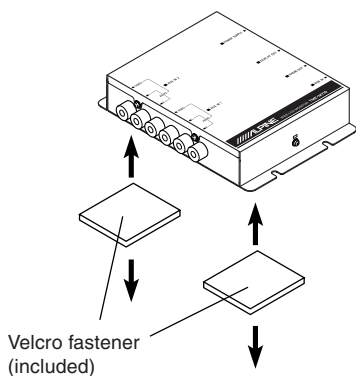
Installation

Installing AV Interface Unit

This Unit can be placed inside the trunk, on the kick panel of the front passenger's seat or underdash. However, to avoid unnecessary signal wiring, it is better to mount the Unit as close as possible to the Display.
DO NOT MOUNT THE INTERFACE UNIT IN LOCATIONS EXPOSED TO MOISTURE OR EXTREME HEAT (such as the engine compartment).

Velcro fastener Mounting:

1. Place a Velcro fastener onto the mounting surface. The rough side should be facing the unit.
2. Remove the backing to the adhesive on the Velcro strips. Press the unit onto the mounting location.



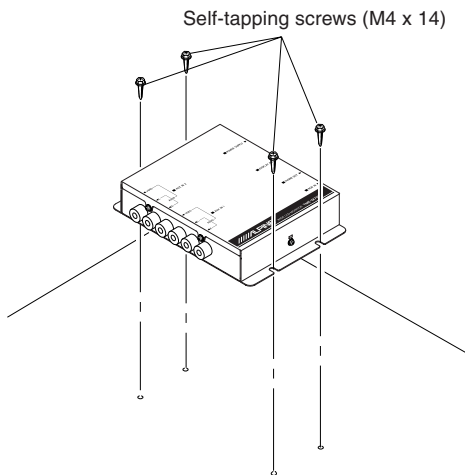
Attaching with screws

1. Place the unit on the location chosen for installation.
2. Mark the screw locations using the unit as a template.
3. Drill a hole less than 3 mm in diameter.

WARNING

When you are drilling a hole in the car body, be careful not to damage pipes, tanks or electrical wiring etc.. It might cause an accident or a fire.

4. Firmly attach the unit using 4 of the supplied self-tapping screws (M4 x 14).



Installation and Connections

Attaching the monitor and stand (for European customers only)

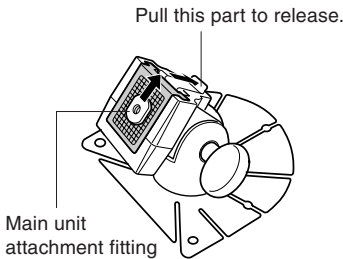
- For customers in other countries:
The stand is not included.



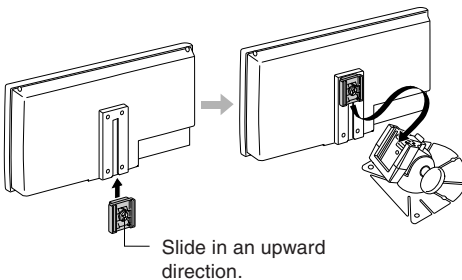
CAUTION

Do not install the monitor near the front passenger seat air bag system.

1 Remove the main unit attachment fitting.

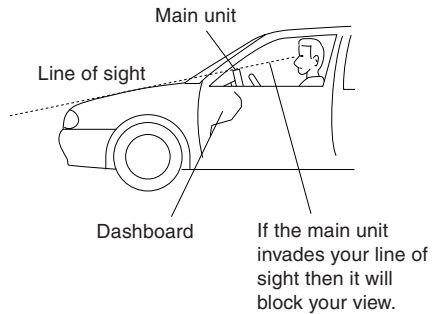
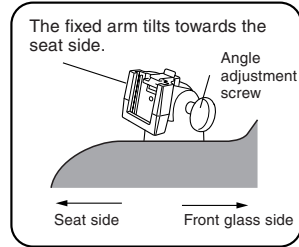


2 Loosen the main unit attachment fitting with a coin etc., slide it into the track on the rear of the main unit and temporarily fasten it. Then fix it to the stand.



3 Check the sticking position.

- ① Temporarily fasten the stand with gum tape.
- ② Loosen the adjustment screws, and adjust to a safe, viewable position.

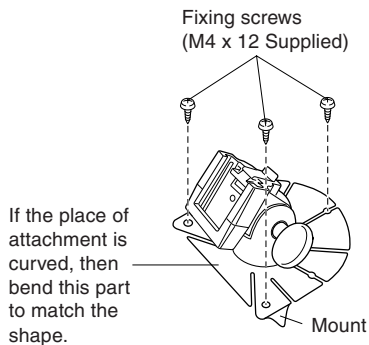


In order to use safely, attach to the following places.

- Stable and secure places.
- Places that will not have your view blocked by the main unit when driving.
- Places that you will not hit against if you lean forward while you wearing your seatbelt.
- Places where the main unit cannot hit against the steering wheel while driving.
- *Be aware that if the surface of the dashboard is leather, wooden panel, stretched fabric or any non-resin based product, then the surface will be damaged when you remove the stand.*
- *Do not place the main unit directly in front of the air conditioner vents.*

4 Remove the main unit from the stand.

5 Remove the mount from the stand and stick it to the dashboard etc..
Remove any dirt on the place to install, using the supplied cloth.



- *If the temperature in the car is low (Winter), then first heat up the place where you are going to stick the mount with a hairdryer etc.*
- *Do not apply force to the mount, or expose to humidity, within 24 hours after attaching.*
- *If the mount is not firmly stuck, then we recommend that you attach with the supplied fixing screws.*

6 Attach the main unit to the stand as shown in step 2.

Use the cable clamps to fix the cables.

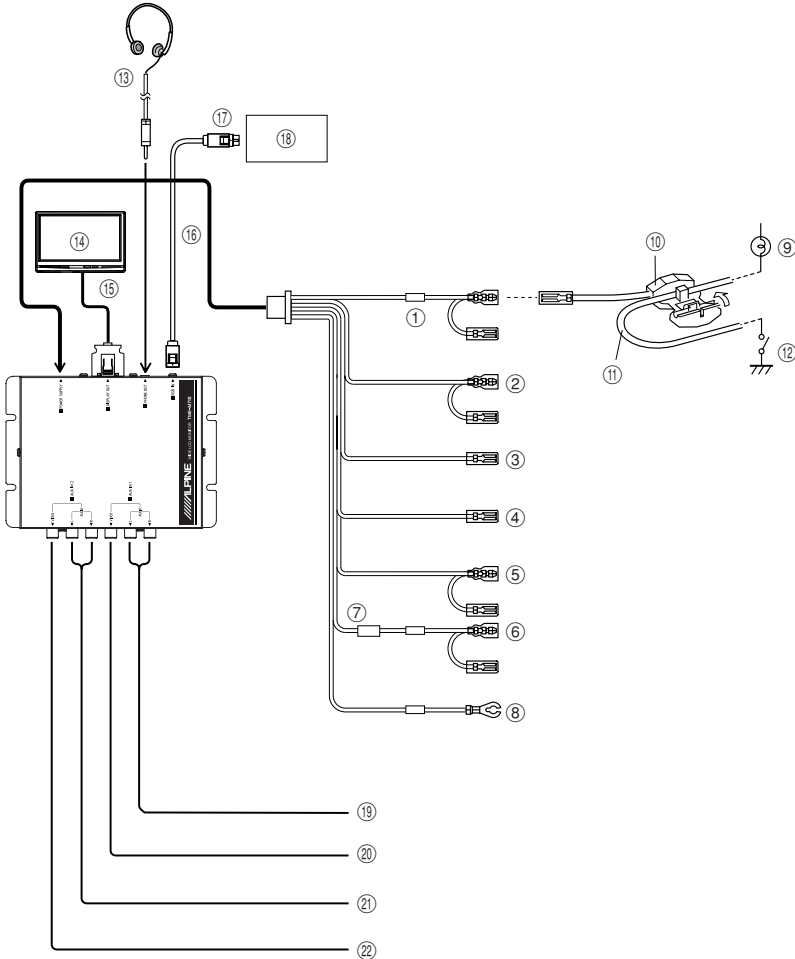
- *Before using, check that the main unit and the stand, and the stand and the place where it is attached to the car are fixed securely.*

Installation and Connections

Connections

Make connections correctly.
Improper connections may cause a fire or operation failure.

Basic connection



- ① **Parking brake lead (Yellow/Blue)**
Connect this lead to the parking brake lead powered when parking brake is pulled.
- ② **Dimmer lead (White/Blue)**
This lead may be connected to the vehicle's instrument cluster illumination lead. This will allow the backlighting of the unit to dim whenever the vehicle's lights are turned on.
- ③④ **Remote control output lead (White/Brown)**
To remote control input lead of ALPINE products used in the system.
- ⑤ **Reverse Lead (Orange/White)**
Use only when a back-up camera is connected. Connect to the plus side of the car's reverse lamp that lights when the transmission is shifted into reverse (R).

Switches the video picture to the back-up camera. This is linked with putting the car into reverse (R).
- ⑥ **ACC power lead (Red)**
To ACC power lead powered when engine key position is ACC.
- ⑦ **Fuse (7.5A)**
- ⑧ **Ground lead (Black)**
Connect the lead to a good chassis ground on the vehicle. Make sure the connection is made to bare metal and is securely fastened using the sheet metal screw provided.
- ⑨ **Parking Brake Lamp**
- ⑩ **Brake Connector (Included)**
- ⑪ **Parking Brake Signal Lead**
- ⑫ **Parking Brake Switch**
- ⑬ **Headphone**
- ⑭ **Main monitor**
- ⑮ **Connection cable**
If the cable is too short, use the extension cable (KWE-664N, sold separately).
- ⑯ **RGB cable**
- ⑰ **To RGB output terminal**
- ⑱ **Made by Alpine navigation**
- ⑲ **Audio input connectors (AUX 1)**
Use these connectors to input the audio signals from a DVD player, video deck etc.
- ⑳ **Video input connector (AUX 1)**
Use this connector to input the video signals from a DVD player, video deck etc.
- ㉑ **Audio input connectors (AUX 2)**
Use these connectors to input the audio signals from a DVD player, video deck etc.
- ㉒ **Video input connectors (AUX 2)**
Use this connector to input the video signals from a DVD player, video deck etc.

- *When connecting a rear view camera, use the "AUX IN 2".*

To prevent external noise from entering the audio system.

- Locate the unit and route the leads at least 10 cm away from the car harness.
- Keep the battery power leads as far away from other leads as possible.
- Connect the ground lead securely to a bare metal spot (remove the coating if necessary) of the car chassis.
- If you add an optional noise suppressor, connect it as far away from the unit as possible. Your Alpine dealer carries various Alpine noise suppressors, contact them for further information.
- Your Alpine dealer knows best about noise prevention measures so consult your dealer for further information.

Appendix

Product Information Card

English

Filling in this Product Information Card is voluntary. If you fill in this card and send it to Alpine, your data will be tabulated into reference data for future Alpine product development. In addition, in the future you may receive information about new products or Survey Mail requesting additional opinions about Alpine products or services. If you agree to the above term, please sign your name in the indicated space and return the card. Any additional comments or inquiries may be sent to : Person in charge of Customer Service department Alpine Electronics (Europe) GmbH.
Frankfurter Ring 117, 80807 München, Germany
Phone: +49-(0)89-32 42 640

Q1. PRODUCT PURCHASED

1. Cassette Player
2. CD Player
3. MD Player
4. DVD Player
5. CD Changer
6. Amplifier
7. Speaker
8. Subwoofer
9. Monitor Controller
10. Video Monitor
11. Navigation
12. Processor/Equalizer
13. CD/Video CD Changer
14. Other_____

Q2. MODEL

NUMBER:_____

Q3. DATE OF PURCHASE:

Month:_____

Year:_____

Q4. If navigation system, which monitor?

1. Alpine → (Model No.)_____
2. Other → (Brand Name)_____

Q5. STORE TYPE WHERE PURCHASED:

1. Car Audio Specialist
2. Audio/Video Store
3. Electronics/Appliance Store
4. Car Accessories Shop
5. Other_____

Q6. Type of vehicle in which this unit is installed:

Make:_____ Model:_____

Purchased _____ Model _____

Year:_____ Year:_____

Q7. How was this vehicle purchased?

1. Purchase
2. Lease

Q8. Purpose of buying this unit?

1. Addition
 2. Replacement
- ↓
- Previous brand replaced?

1. Factory installed
2. Alpine
3. Other → (Brand Name)_____

Q9. Have you purchased Alpine products before?

1. First time
2. Two or More times

Q10. When you purchased this Alpine unit, did you compare it with other brand?

1. Yes → (Brand Name)_____
2. No.

Q11. GENDER

1. Male
2. Female

Q12. AGE _____

Q13. MARITAL STATUS

1. Single
2. Married

Q14. OCCUPATION

1. Company Owner/Self-employed/Freelance
2. Manager
3. Company Employee
4. Civil Servant
5. Educator
6. Student
7. Other_____

Q15. Comments _____

Produkt- Informationskarte

Deutsch

Das Ausfüllen dieser Produktinformations-Karte ist freiwillig. Sollten Sie diese Karte vervollständigen, so werden die Daten für zukünftige Produktentwicklungen von Alpine als Referenzdaten herangezogen. Ebenso können Sie in der Zukunft Informationen über neue Alpine Produkte erhalten oder uns auch Ihre Meinung über Alpine Produkte und Dienstleistungen im Rahmen von Kunden-Befragungen mitteilen. Stimmen Sie dem Kontakt durch Alpine zu, so würden wir Sie bitten, in dem dafür vorgesehenen Feld zu unterschreiben und die Karte kostenfrei an uns zurückzuschicken. Zusätzliche Kommentare und Meinungen können Sie gerne an den zuständigen Kontakt im Kundendienst Alpine Electronics (Europe) GmbH senden.
Frankfurter Ring 117, 80807 München, Germany
Phone: 089-32 42 640

Q1. gekauftes Gerät

1. Kassetten-Spieler
2. CD-Spieler
3. MD-Spieler
4. DVD-Spieler
5. CD-Wechsler
6. Verstärker
7. Lautsprecher
8. Subwoofer
9. Monitor-Controller
10. Video-Monitor
11. Navigationssystem
12. Prozessor/Equalizer
13. CD/Video-CD-Wechsler
14. andere_____

Q2. Modellnummer:_____

Q3. Kaufdatum:

Monat:_____

Jahr:_____

Q4. Falls Navigationssystem: Welcher Monitor?

1. Alpine → (Modellnr.)_____
2. Anderer Hersteller → (Herstellername)_____

Q5. Art des Geschäfts, in dem Sie das Gerät gekauft haben:

1. Spezialist für Auto-Audioanlagen
2. Audio/Video-Geschäft
3. Elektro-Geschäft
4. Autozubehör-Geschäft
5. Anderer Hersteller_____

Q6. Art des Fahrzeugs, in das das Gerät installiert wurde:

Marke:_____ Modell:_____

gekauft im Jahr:_____ Baujahr:_____

Q7. Wie haben Sie das Fahrzeug gekauft?

1. Kauf
2. Leasing

Q8. Zweck des Kaufs dieses Geräts?

1. Zusätzlich
 2. Austausch
- ↓
- Marke des ausgetauschten Geräts?

1. Serienmäßige Ausstattung
2. Alpine
3. Anderer Hersteller → (Herstellername)_____

Q9. War dies das erste Mal, dass Sie ein Alpine-Gerät gekauft haben?

1. Erstes Mal
2. Zweites Mal oder öfter

Q10. Haben Sie dieses Alpine-Gerät vor dem Kauf mit Geräten anderer Hersteller verglichen?

1. Ja → (Herstellername)_____
2. Nein

Q11. Geschlecht

1. Männlich
2. Weiblich

Q12. Alter _____

Q13. Familienstand

1. Ledig
2. Verheiratet

Q14. Beruf

1. Selbständige/Firmeninhaber/ freiberuflich Tätige
2. Leitende Angestellte
3. Sonstige Angestellte
4. Beamte
5. Schulbildung
6. Studium
7. Sonstige_____

Q15. Kommentar:_____

Carte d'informations sur le produit

Français

En remplissant volontairement cette fiche, et en l'envoyant à Alpine, vous acceptez que ces informations soient utilisées par Alpine, dans le cadre de développement de nouveaux produits. Par ailleurs, vous autorisez Alpine à solliciter votre opinion par mailing sur de nouveaux produits ou services. Si vous acceptez les termes ci-dessus, veuillez signer cette carte à l'endroit indiqué, et nous la retourner. Tout autre commentaire ou demande doit être adressé à l'attention de: Responsable du service consommateur Alpine Electronics (Europe) GmbH, Frankfurter Ring 117, 80807 München, Germany Phone: +49-(0)89-32 42 640

Q1. PRODUIT ACHETE

1. Lecteur de cassette
2. Lecteur de CD
3. Lecteur MD
4. Lecteur DVD
5. Changeur de CD
6. Amplificateur
7. Haut-parleur
8. Haut-parleur de graves
9. Station Multimedia
10. Moniteur Vidéo
11. Navigation
12. Processeur/Egaliseur
13. Changeur de CD/CD Vidéo
14. Autre _____

Q2. NUMERO DU

MODELE: _____

Q3. DATE D'ACHAT:

Mois: _____
Année: _____

Q4. Si c'est un système de navigation, quel moniteur?

1. Alpine → (N° du modèle) _____
2. Autre → _____ (Marque) _____

Q5. TYPE DE MAGASIN OU VOUS AVEZ ACHETE LE PRODUIT:

1. Spécialiste autoradio
2. Magasin audio/vidéo
3. Magasin d'électronique/appareils
4. Magasin d'accessoires automobiles
5. Autre _____

Q6. Type de véhicule dans lequel cet appareil est installé:

Marque: _____
Modèle: _____
Année _____ Année du d'achat: _____
modèle: _____

Q7. Comment avez-vous acheté ce véhicule?

1. Achat
2. Location-bail

Q8. Pourquoi avez-vous acheté cet appareil?

1. Addition
 2. Remplacement
- ↓
- Marque précédente remplacée?

1. Installée en usine
2. Alpine
3. Autre → _____ (Marque) _____

Q9. Aviez-vous déjà acheté des produits Alpine?

1. Première fois
2. Deux fois ou plus

Q10. Lorsque vous avez acheté ce produit Alpine, l'avez-vous comparé à une autre marque?

1. Oui → (Marque) _____
2. Non

Q11. SEXE

1. Masculin
2. Féminin

Q12. AGE _____

Q13. SITUATION DE FAMILLE

1. Célibataire
2. Marié

Q14. PROFESSION

1. Entrepreneur/Travailleur indépendant/Free-lance
2. Directeur
3. Employé de bureau
4. Fonctionnaire
5. Educateur
6. Etudiant
7. Autre _____

Q15. Commentaires _____

Tarjeta de información del producto

Español

El envío de la información solicitada es voluntario. Si Vd. nos la remite, será utilizada de modo confidencial para el desarrollo de futuros productos Alpine. Si Vd. desea recibir información sobre nuevos productos de nuestra gama, indique su nombre en el espacio designado y remitamos la tarjeta. Cualquier solicitud adicional puede ser enviada a: Persona responsable del Servicio de Atención al Cliente de Alpine Electronics (Europe) GmbH, Frankfurter Ring 117, 80807 München, Germany Phone: +49-(0)89-32 42 640

Q8. ¿Propósito de comprar esta unidad?

1. Mejora del sistema
 2. Sustitución
- ↓
- ¿Sustitución de marca anterior?

1. Instalado en la fábrica
2. Alpine
3. Otros → (Nombre de marca) _____

Q9. ¿Ha comprado Vd. productos Alpine anteriormente?

1. Primera vez
2. Dos o más veces

Q10. Cuando usted compró esta unidad Alpine, ¿la comparó con otros fabricantes?

1. Si → (Nombre de marca) _____
2. No

Q11. SEXO

1. Masculino
2. Femenino

Q12. Edad _____

Q13. Estado civil

1. Soltero
2. Casado

Q14. Ocupación

1. Propietario de empresa/ Autónomo/Profesional independiente
2. Gerente
3. Empleado de compañía
4. Empleado público
5. Profesor
6. Estudiante
7. Otros _____

Q15. Comentarios _____

Q1. Producto Comprado

1. Radio/Cassette
2. Radio/CD
3. Reproductor de MD
4. Reproductor de DVD
5. Cambiador de CD
6. Amplificador
7. Altavoz
8. Subwoofer
9. Monitor de control
10. Monitor de video
11. Sistema de navegación
12. Procesador/Ecuallizador
13. Cambiador de CD/Video CD
14. Otros _____

Q2. Número de modelo: _____

Q3. Fecha de compra:

Mes: _____

Año: _____

Q4. En caso de sistema de navegación, ¿qué monitor?

1. Alpine → (N° de modelo) _____
2. Otros → (Nombre de marca) _____

Q5. TIPO DE TIENDA DONDE COMPRÓ:

1. Especialista en audio de automóviles
2. Tienda de audio/video
3. Tienda de electrónica/electrodomésticos
4. Tienda de accesorios automovilísticos
5. Otros _____

Q6. Tipo de vehículo en que la unidad está instalada:

Marca: _____
Modelo: _____
Año de compra: _____ Año del modelo: _____

Q7. ¿Cómo fue comprado este vehículo?

1. compra
2. Leasing

Scheda informazioni prodotto

Italiano

La compilazione di questa formulario è volontaria. Se compilate questo formulario, ritornandolo ad Alpine, i Vostri dati saranno raccolti in un file di riferimento per lo sviluppo dei nuovi prodotti Alpine. In aggiunta Voi potrete ricevere in futuro informazioni riguardanti i nuovi prodotti o la richiesta di una Vostra opinione circa i prodotti o i servizi forniti da Alpine. Se siete d'accordo, Vi preghiamo di ritornarci il formulario compilato negli appositi spazi con i Vostri dati. In caso desideriate fornire altri commenti o richiedere informazioni aggiuntive, potete indirizzare il tutto a : Responsabile dipartimento Servizio Clienti Alpine Electronics (Europe) GmbH.
Frankfurter Ring 117, 80807 München, Germany
Phone: +49-(0)89-32 42 640

Q1. PRODOTTO ACQUISTATO

1. Lettore di cassette
2. Lettore CD
3. Lettore MD
4. Lettore DVD
5. CD Changer
6. Amplificatore
7. Altoparlante
8. Subwoofer
9. Radio Monitor
10. Monitor video
11. Sistema di navigazione
12. Processore/equalizzatore
13. Cambia CD/Video CD
14. Altro_____

Q2. NUMERO

MODELLO:_____

Q3. DATA DI ACQUISTO:

Mese:_____

Anno:_____

Q4. In caso di acquisto di un sistema di navigazione, quale monitor possiede?

1. Alpine → (No. Modello)_____

2. Altro → Nome _____

marca _____

Q5. NEGOZIO DI ACQUISTO:

1. Specialista Car Stereo
2. Negozio di audio/video
3. Negozio di elettronica/elettrodomestici
4. Negozio accessori automobile
5. Altro_____

Q6. Tipo di veicolo posseduto:

Marca:_____

Modello:_____

Anno _____ Anno

acquisto:_____

modello:_____

Q7. Modalità acquisto

1. Acquisto
2. Leasing

Q8. Scopo acquisto

1. Aggiunta

2. Sostituzione

↓

- Marca sostituita

1. Installato di fabbrica

2. Alpine

3. Altro → (Nome marca)_____

Q9. Avevate già acquistato prodotti Alpine?

1. No

2. Due o tre volte

Q10. Nell'acquistarlo, avete paragonato questo prodotto ad un'altra marca?

1. Si → (Nome marca)_____

2. No

Q11. SESSO

1. Maschile

2. Femminile

Q12. ETA _____

Q13. STATO CIVILE

1. Celibe/nubile

2. Coniugato/coniugata

Q14. LAVORO

1. Proprietario di azienda/artigiano/libero professionista

2. Manager

3. Impiegato

4. Impiegato statale

5. Insegnante

6. Studente

7. Altro_____

Q15. Commenti _____

- ◆ I agree to the above stated terms of the Alpine Product Information Card.
- ◆ Ich stimme dem Kontakt durch Alpine für Informations- und Befragungszwecke zu.
- ◆ J'accepte les termes de cette carte d'information produit Alpine.
- ◆ Estoy conforme con los términos de la tarjeta de información sobre producto de Alpine.
- ◆ Accetto i termini della scheda informazioni prodotti Alpine.

_____ (Date/Datum/Date/Fecha/Data)

_____ (Signature/Unterschrift/Signature/Firma)

Name/Nom/Nombre/Nome

(First Name/Vorname/Prénom/Primer nombre/Nome)

(Surname/Familiennome/Nom de famille/Apellido/Cognome)

Home Address/Privatanschrift/Adresse/Dirección/Indirizzo

(Street/Straße/Rue/Calle/Via) (Post Code/Postleitzahl/Code postal/Código postal/Codice postale)

(Town/City/Stadt/Ville/Ciudad/Città) (Country/Land/Pays/Pais/Paese)

Telephone Number: _____

E-Mail/Correo electrónico: _____

Q1 NO. _____
Other _____

Q2 | | | | | | | | | | | | | | | | | | | | | |

Q3 Month _____ Year _____
| | | | | | | | | | | | | | | | | | | | | |

Q4 NO.1. Model No. _____
NO.2. Brand Name _____

Q5 NO. _____
Other _____

Q6 Make: _____ Model: _____
Purchased Year: | | | | | | | | | | Model Year: | | | | | | | | | |

Q7 NO. _____

Q8 NO. 1 Previous brand replaced. Brand Name _____
2 1. 2. 3.

Q9 NO. _____

Q10 1 Brand Name _____
NO. 2 _____

Q11 NO. _____

Q12 | | | | | years old

Q13 NO. _____

Q14 NO. _____
Other _____

Q15 Comments _____

LUFTPORT
PAR AVION
PRIORITAIRE

NE PAS AFFRANCHIR
NICHT FREIMACHEN
NO STAMP REQUIRED

REPOSE PAYEE/ WERBEANTWORT
ALLEMAGNE

ALPINE ELECTRONICS (EUROPE) GmbH
Frankfurter Ring 117, 80807 München,
Germany