

# PRECAUTIONS



## ■ GUIDE FOR INSTALLATION AND CONNECTIONS FOR AUTHORIZED ALPINE DEALERS

- Please read this GUIDE FOR INSTALLATION AND CONNECTIONS FOR AUTHORIZED ALPINE DEALERS and the OWNER'S MANUAL thoroughly to familiarize yourself with each control and function. We at ALPINE hope that your new NVE-N099P will give you many years of enjoyment.

In case of problems when installing your unit, please contact your authorized ALPINE dealer.

### Points to Observe for Safe Usage

- For safe operation of this system, please read this manual carefully. We cannot be responsible for problems resulting from failure to observe the instructions in this manual.
- Pictorial displays are used to point out safety tips to prevent harm to yourself or others and property damage. Here is what these pictorial displays mean. Knowing them is important to understand this manual.
- **Meaning of displays**

 <b>Warning</b>	This symbol means important instructions. Failure to heed them can result in serious injury or death.
 <b>Caution</b>	This symbol means important instructions. Failure to heed them can result in injury or material property damage.

### **Warning**

#### **DO NOT DISASSEMBLE OR ALTER.**

Doing so may result in an accident, fire or electric shock.

#### **KEEP SMALL OBJECTS SUCH AS BOLTS OR SCREWS OUT OF THE REACH OF CHILDREN.**

Swallowing them may result in serious injury. If swallowed, consult a physician immediately.

#### **USE THE CORRECT AMPERE RATING WHEN REPLACING FUSES.**

Failure to do so may result in fire or electric shock.

#### **USE ONLY IN CARS WITH A 12 VOLT NEGATIVE GROUND.**

(Check with your dealer if you are not sure.) Failure to do so may result in fire, etc.

#### **BEFORE WIRING, DISCONNECT THE CABLE FROM THE NEGATIVE BATTERY TERMINAL.**

Failure to do so may result in electric shock or injury due to electrical shorts.

#### **DO NOT ALLOW CABLES TO BECOME ENTANGLED IN SURROUNDING OBJECTS.**

Arrange wiring and cables in compliance with the manual to prevent obstructions when driving. Cables or wiring that obstruct or hang up on places such as the steering wheel, shift lever, brake pedals, etc. can be extremely hazardous.

#### **DO NOT SPLICE INTO ELECTRICAL CABLES.**

Never cut away cable insulation to supply power to other equipment. Doing so will exceed the current carrying capacity of the wire and result in fire or electric shock.

#### **DO NOT INSTALL IN LOCATIONS WHICH MIGHT HINDER VEHICLE OPERATION, SUCH AS THE STEERING WHEEL OR SHIFT LEVER.**

Doing so may obstruct forward vision or hamper movement etc. and results in serious accident.

#### **DO NOT DAMAGE PIPE OR WIRING WHEN DRILLING HOLES.**

When drilling holes in the chassis for installation, take precautions so as not to contact, damage or obstruct pipes, fuel lines, tanks or electrical wiring. Failure to take such precautions may result in fire.

#### **DO NOT USE BOLTS OR NUTS IN THE BRAKE OR STEERING SYSTEMS TO MAKE GROUND CONNECTIONS.**

Bolts or nuts used for the brake or steering systems (or any other safety-related system), or tanks should NEVER be used for installations or ground connections. Using such parts could disable control of the vehicle and cause fire etc.

#### **DO NOT INSTALL THE MONITOR NEAR THE PASSENGER SEAT AIR BAG.**

If the unit is not installed correctly the air bag may not function correctly and when triggered the air bag may cause the monitor to spring upwards causing an accident and injuries.

#### **MAKE THE CORRECT CONNECTIONS.**

Failure to make the proper connections may result in fire or product damage.

## Caution

### **ARRANGE THE WIRING SO IT IS NOT CRIMPED OR PINCHED BY A SHARP METAL EDGE.**

Route the cables and wiring away from moving parts (like the seat rails) or sharp or pointed edges. This will prevent crimping and damage to the wiring. If wiring passes through a hole in metal, use a rubber grommet to prevent the wire's insulation from being cut by the metal edge of the hole.

### **HAVE THE WIRING AND INSTALLATION DONE BY EXPERTS.**

The wiring and installation of this unit requires special technical skill and experience. To ensure safety, always contact the dealer where you purchased this product to have the work done.

### **USE SPECIFIED ACCESSORY PARTS AND INSTALL THEM SECURELY.**

Be sure to use only the specified accessory parts. Use of other than designated parts may damage this unit internally or may not securely install the unit in place. This may cause parts to become loose resulting in hazards or product failure.

### **DO NOT INSTALL IN LOCATIONS WITH HIGH MOISTURE OR DUST.**

Avoid installing the unit in locations with high incidence of moisture or dust. Moisture or dust that penetrates into this unit may result in product failure.

## Precautions

### **IMPORTANT**

Please record the serial number of your unit in the space provided on the back cover of Owner's Manual and keep it as a permanent record. The serial number plate is located on the bottom of the unit.

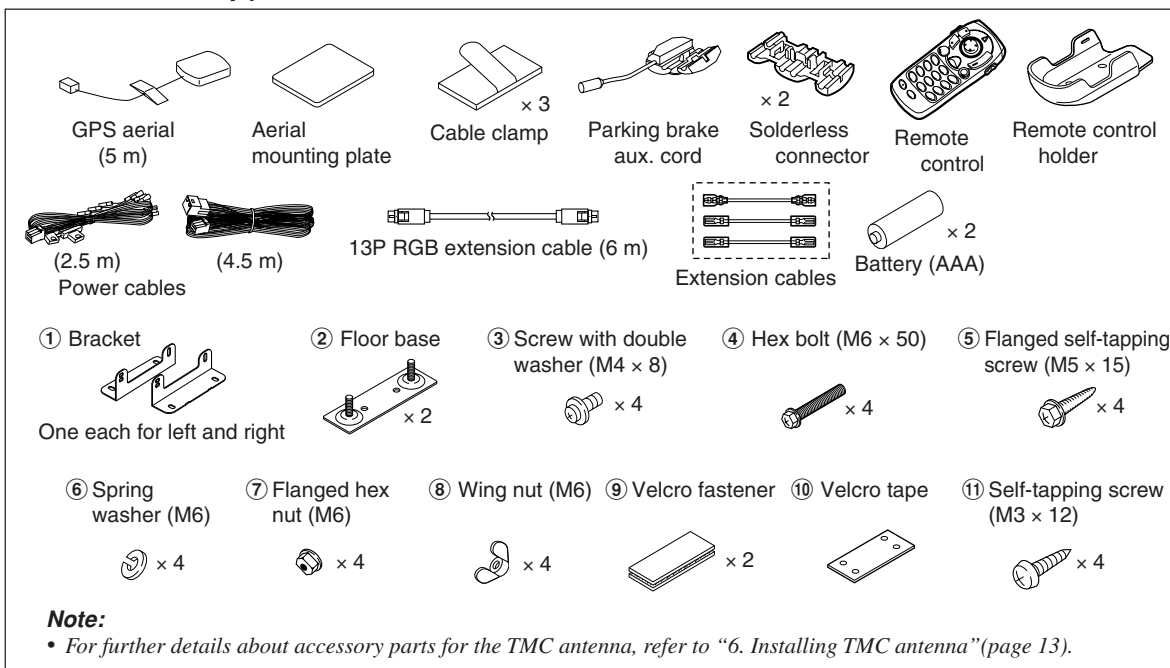
- For installation of the main unit, avoid areas with a high incidence of dust or moisture. Installing the unit in such locations may result in contamination of the DVD ROM making it unreadable.
- Do not install the navigation system near a CD player that may interfere with GPS signal reception.
- The optimum locations for installing the GPS aerial are:
  - on the dashboard where no metal piece (such as the defogger wire or aerial wire) is located on the windshield.
  - where no metal cover is located.
- Route the Speed Pulse Sensor cable away from the audio cables in order to avoid picking up noises.

# Contents

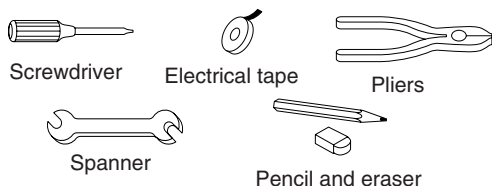
<b>PRECAUTIONS</b>	<b>2</b>
<b>1. Preparation</b>	<b>5</b>
<b>2. Connections</b>	<b>6</b>
<b>3-1. NVE-N099P Wiring Diagram With IVA-D300R/IVA-D300RB/ TME-M770 (Touch panel-compatible Alpine products)</b>	<b>7</b>
<b>3-2. NVE-N099P Wiring Diagram With CVA-1004R/CVA-1003R</b>	<b>8</b>
<b>3-3. NVE-N099P Wiring Diagram With IVA-D900R/IVX-C806/ IVA-C800R/IVX-M706/IVA-M700R/CVA-1006R/CVA-1005R/ TME-M760/TME-M750/TME-M580</b>	<b>9</b>
<b>3-4. NVE-N099P Wiring Diagram With CVA-1000R/TME-M006SP/ TME-M005P</b>	<b>10</b>
<b>4. Mounting</b>	<b>11</b>
<b>5. Confirmation</b>	<b>12</b>
<b>6. Installing TMC antenna</b>	<b>13</b>

# 1. Preparation

## 1 Check accessory parts.

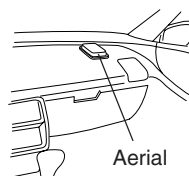


## 2 Prepare tools and mounting information.

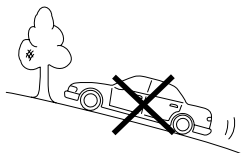


### Mounting the aerial inside the vehicle.

1. Clean the mounting location.
2. Put on the aerial mounting plate.
3. Mount the aerial.



## 3 Park the vehicle in a safe and level location.



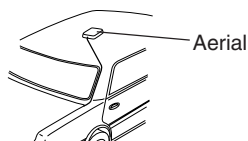
### Notes:

- Mount the aerial on a flat plane of the dash board or rear tray.
- Some thermal reflection type or thermal absorption type glass may interrupt high frequency waves. If reception is poor with the aerial installed inside the car, try to mount the aerial outside the car.

## 4 Apply the brake and remove the ignition key.

## 5 Mount the aerial on the roof.

Clean dust and oil at the mounting location and mount the aerial.

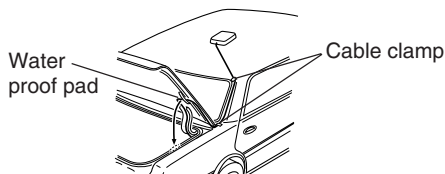


### Notes:

- The magnet of the aerial is very strong. Proceed cautiously to prevent any damage to the vehicle's body. Keep the magnet away from articles susceptible to magnetic fields such as credit cards, watches, etc.
- Do not paint the aerial. Reception sensitivity may be decreased.

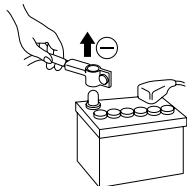
## 6 Routing the aerial cable.

1. Route the cable using the provided cable clamps to take up the cable's slack.
2. Use the waterproof pad when running the cable under the vehicle's rubber gasket.
3. Attach the cable at several points using the remaining cable clamps.



## 2. Connections

- 1** Disconnect the battery (-) terminal.



**Note:**

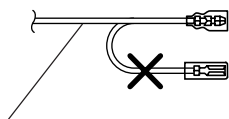
Some vehicles contain a vehicle control computer etc. in this case, contents of the computer memory may be erased when the battery (-) lead is disconnected.

- 2** Cut terminal leads as required, and attach the solderless connectors to the leads.

**Note:**

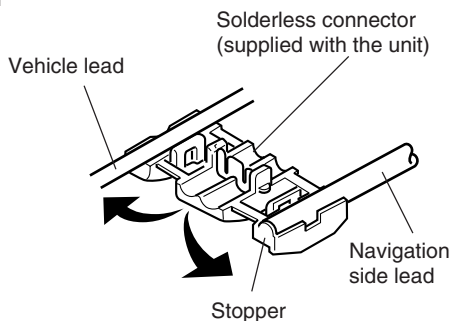
For leads which need branching to the speed sensor; dimmer; parking brake, etc., use the solderless connectors.

**Preparation**

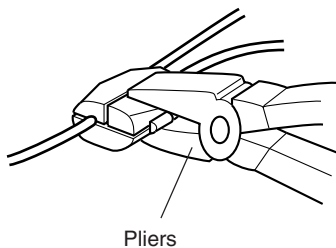


Navigation side lead

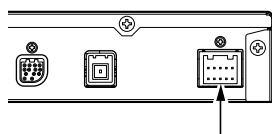
**1**



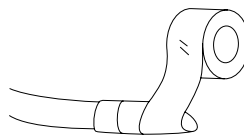
**2**



- 3** Connect the power lead to this unit. Insert until a click sound is heard.

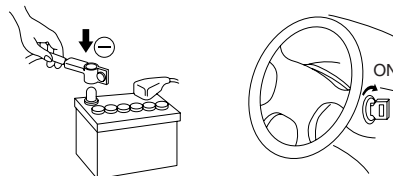


- 4** Wrap electrical tape around end of leads not used.

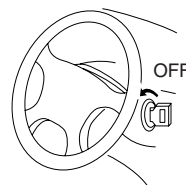


- 5** Connect the battery (-) terminal and turn the ignition key to the ACC or ON position. Check to see if operation can be performed properly. (Is the power turned on? Is the illumination turned on?)

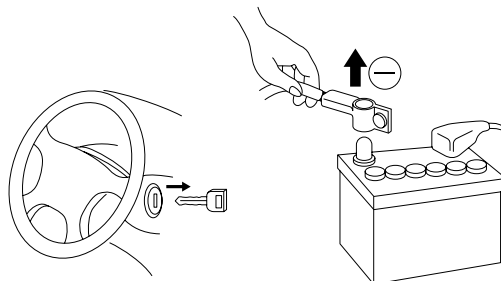
You can check the language selection menu with the monitor. (Refer to the Owner's Manual for details.) Go to step 6 after checking is completed.



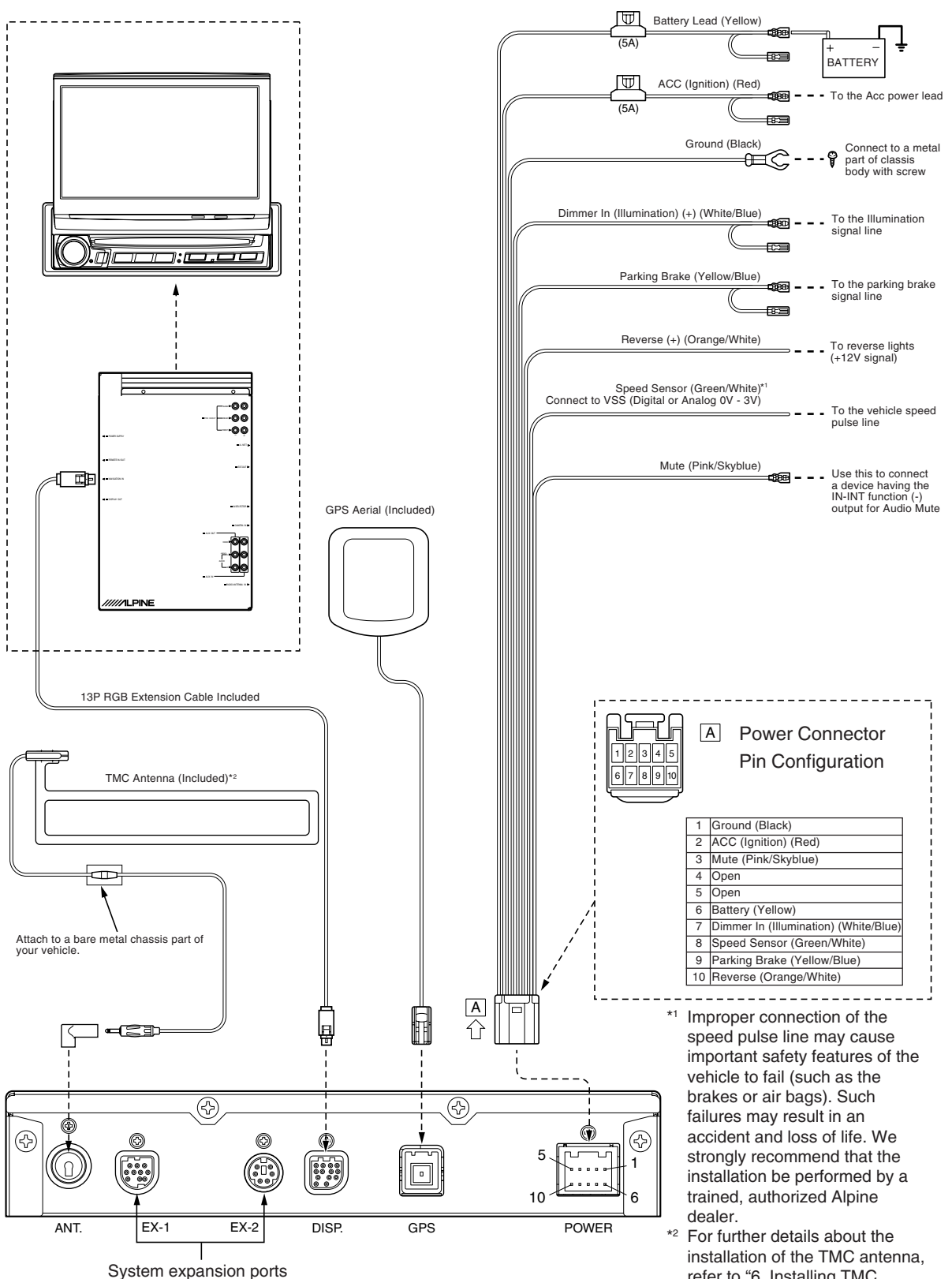
- 6** Turn the ignition key to the OFF position to turn off the power after completion of the check.



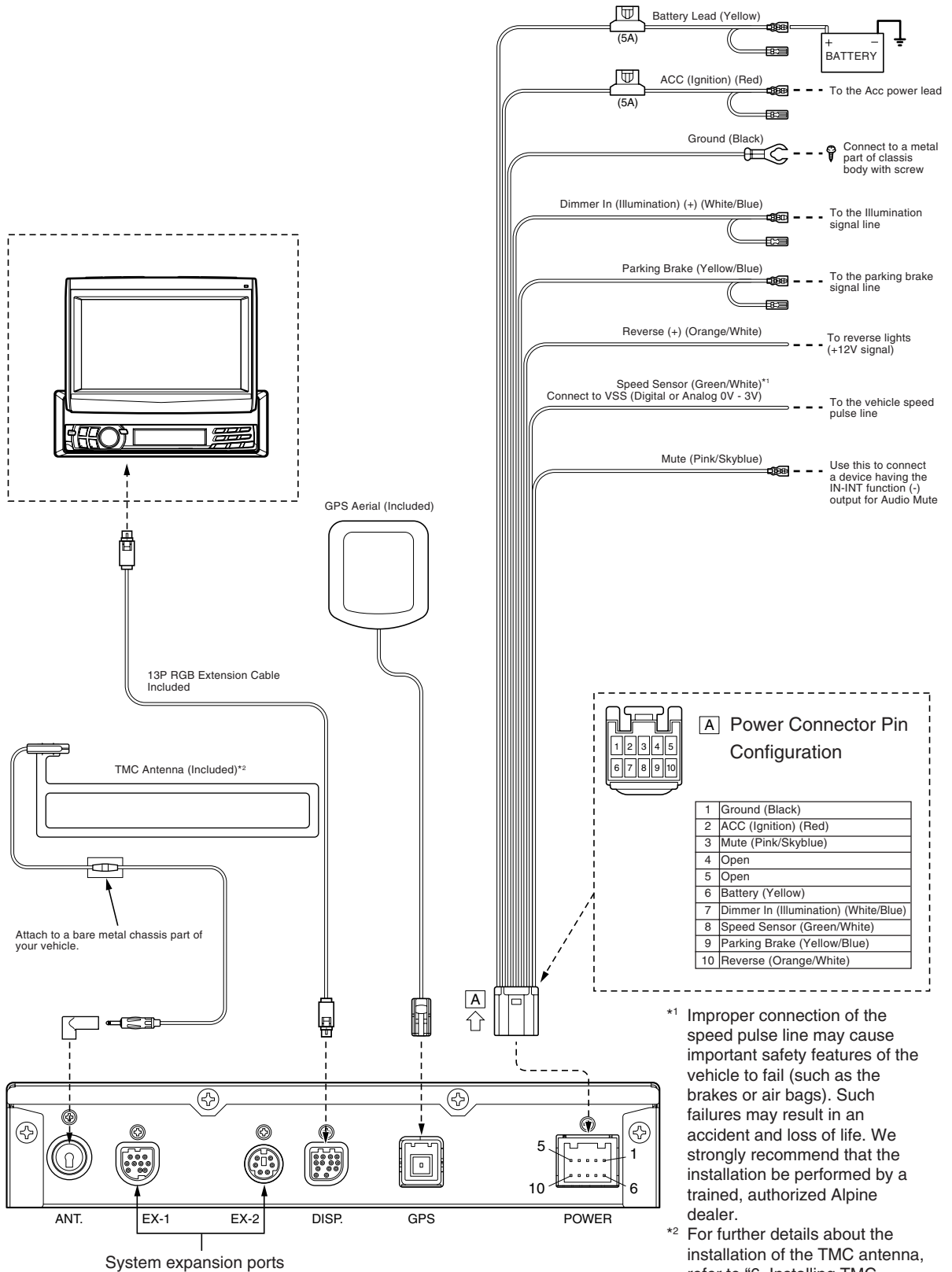
- 7** Pull out the ignition key and remove the battery terminal (-) again to begin installation procedure.



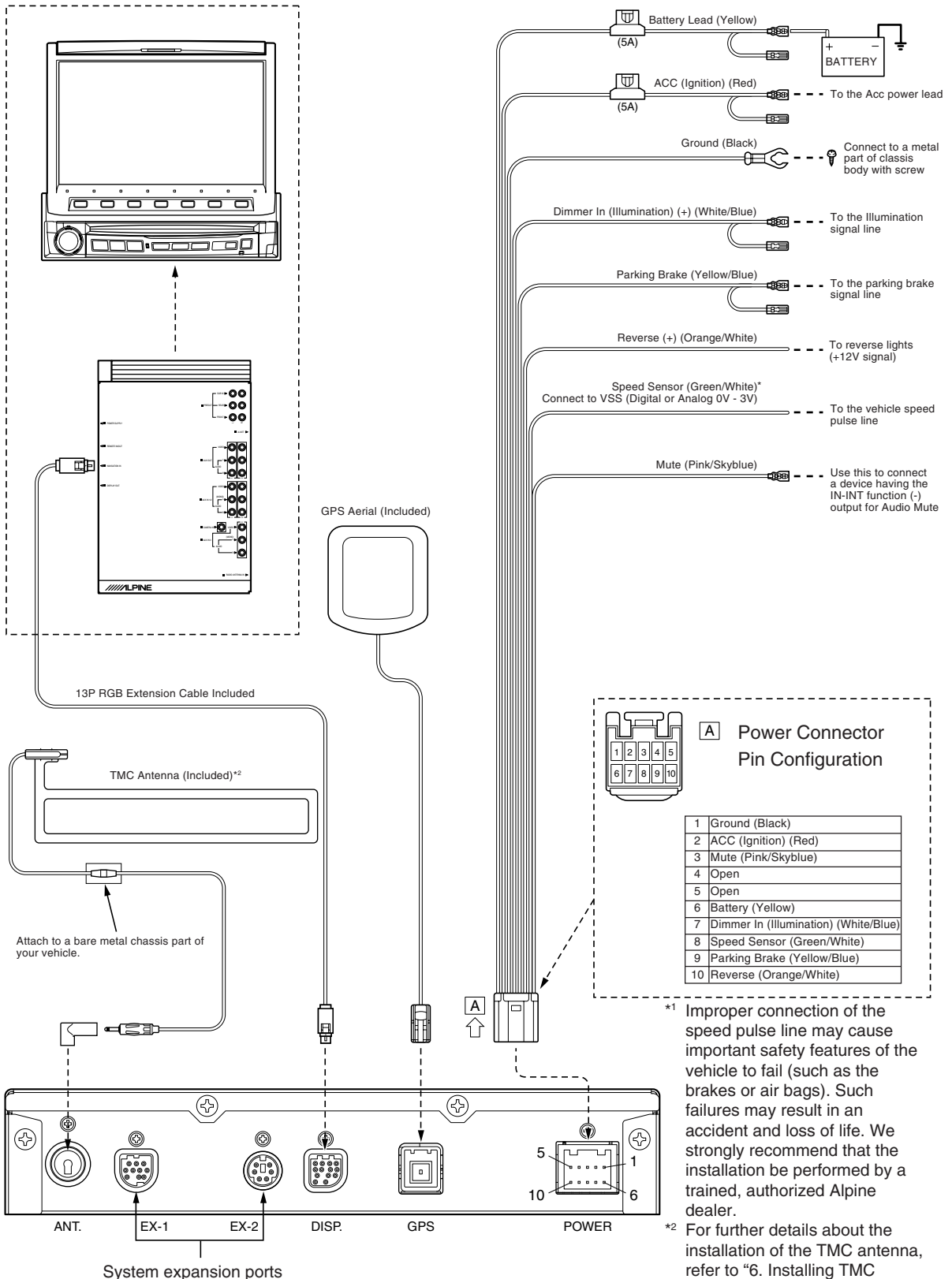
# 3-1. NVE-N099P Wiring Diagram With IVA-D300R/IVA-D300RB/ TME-M770 (Touch panel-compatible Alpine products)



# 3-2. NVE-N099P Wiring Diagram With CVA-1004R/CVA-1003R



# 3-3. NVE-N099P Wiring Diagram With IVA-D900R/IVX-C806/ IVA-C800R/IVX-M706/IVA-M700R/CVA-1006R/CVA-1005R/ TME-M760/TME-M750/TME-M580

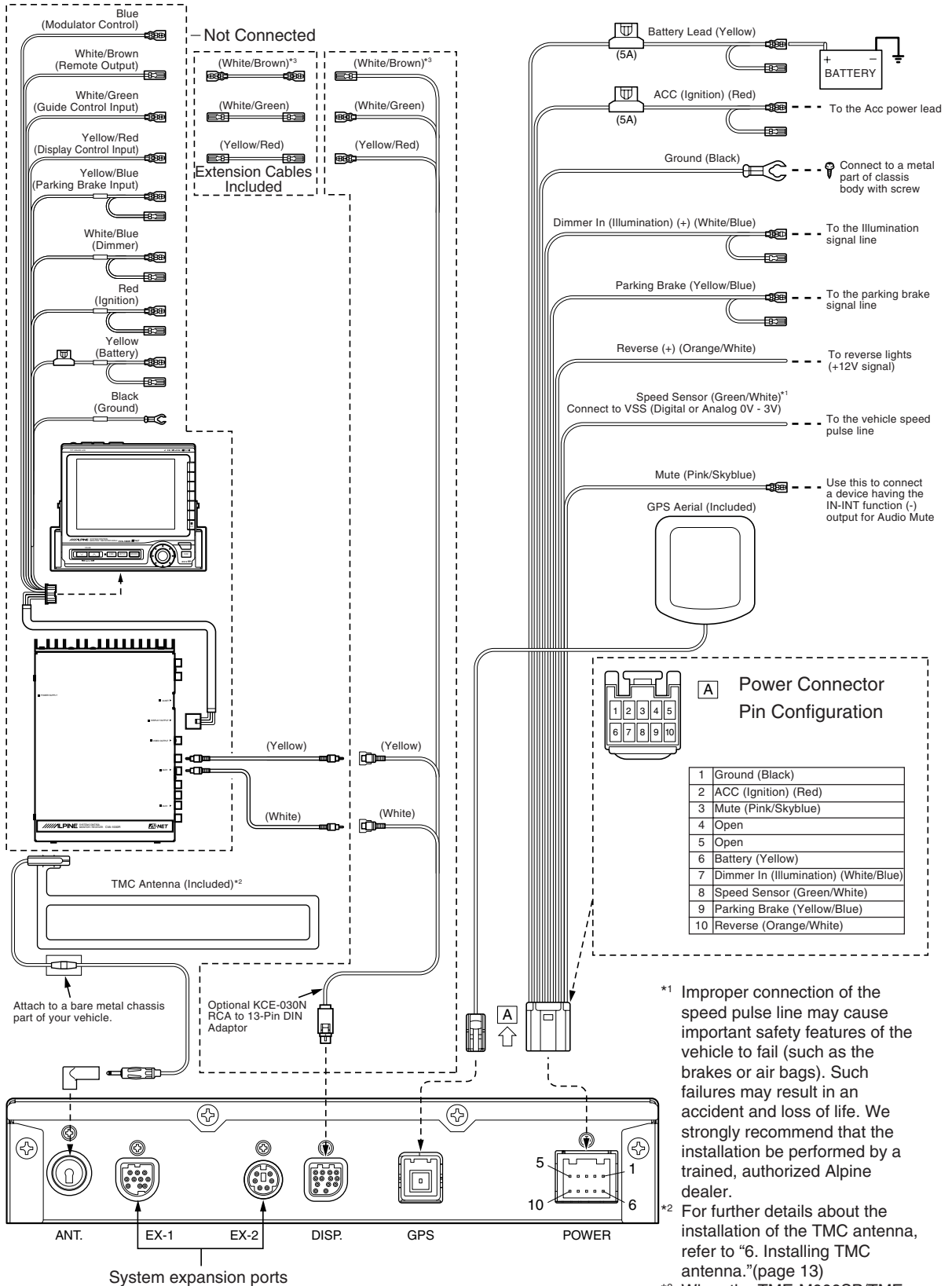


\*1 Improper connection of the speed pulse line may cause important safety features of the vehicle to fail (such as the brakes or air bags). Such failures may result in an accident and loss of life. We strongly recommend that the installation be performed by a trained, authorized Alpine dealer.

\*2 For further details about the installation of the TMC antenna, refer to "6. Installing TMC antenna." (page 13)



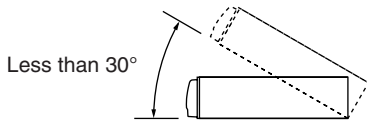
# 3-4. NVE-N099P Wiring Diagram With CVA-1000R/ TME-M006SP/TME-M005P



# 4. Mounting

**Note:**

The main unit must be mounted within  $\pm 5$  degrees of the horizontal plane, left to right, and 30 degrees of the horizontal plane, back to front.



● **When mounting using Velcro fastener**

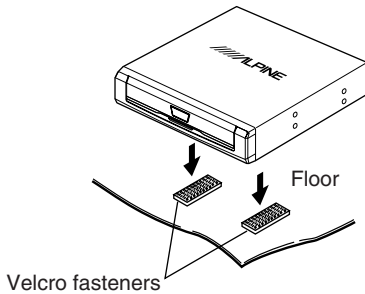
**1 Place Velcro fasteners.**

Place two pieces of Velcro fasteners onto the mounting surface. The rough side should be facing the navigation unit.

**2 Press the Navigation unit onto the Velcro fastener at the mounting position.**

Remove the backing to the adhesive on the Velcro strips. Press the Navigation unit onto the mounting location.

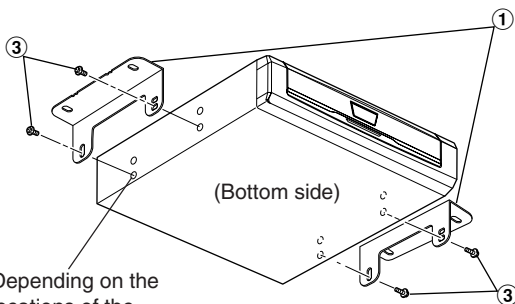
Continued to the step 5 "Securing leads, etc."



● **When mounting on the rear tray**

**1 Mount the brackets ① on the unit.**

Mount the brackets at both sides of the unit with screws with double washer (M4x8) ③.

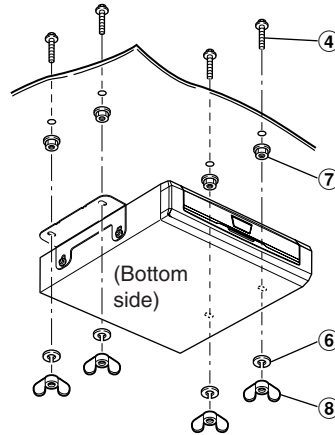


Depending on the locations of the mounting screw holes, the mounting brackets (for the left and right) can be used on either side.

**2 Attach the unit on the rear tray.**

Attach the unit securely with hex bolts (M6x50) ④, flanged hex nuts (M6) ⑦, spring washers (M6) ⑥, and wing nuts (M6) ⑧.

Continued to step 5 "Securing leads, etc."

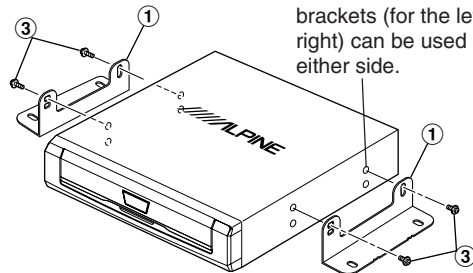


● **When mounting the unit directly on the floor**

**1 Mount the brackets ① on the unit.**

Mount the brackets at both sides of the unit with screws with double washer (M4x8) ③.

Depending on the locations of the mounting screw holes, the mounting brackets (for the left and right) can be used on either side.

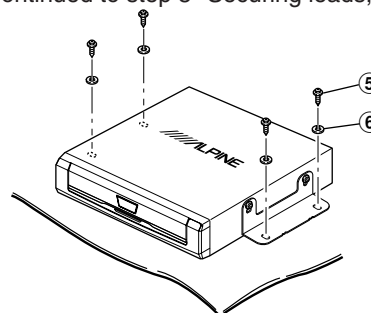


**2 Mount the unit on the floor.**

Mount the unit on the floor with flanged self-tapping screws (M5x15) ⑤ and spring washers (M6) ⑥.

**Warning:** Do not damage pipe or wiring when drilling holes.

Continued to step 5 "Securing leads, etc."

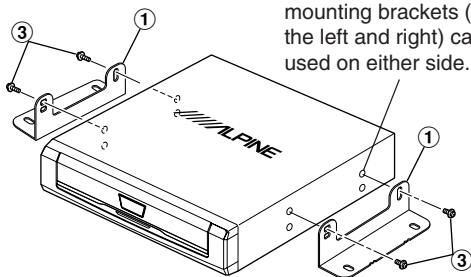


● **When mounting with floor base brackets**

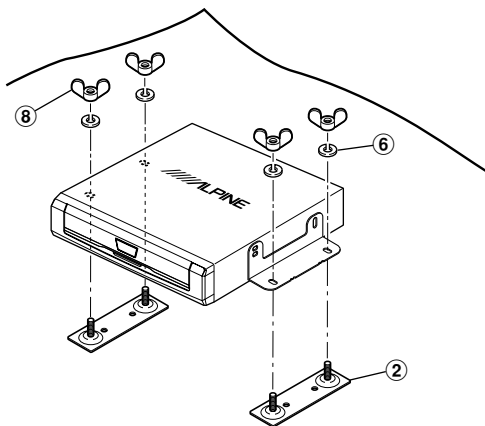
**1 Mount the brackets ①.**

Mount the brackets ① at both sides of the unit with screws with double washer (M4×8) ③.

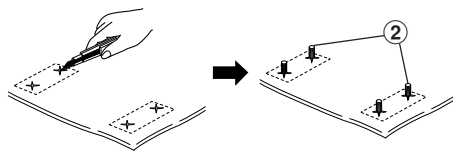
Depending on the locations of the mounting screw holes, the mounting brackets (for the left and right) can be used on either side.



**2 Determine mounting position of the floor base brackets ② for placement under the carpet.**

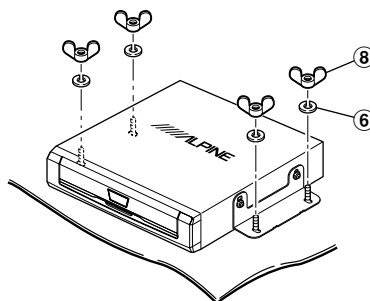


**3 Cut the carpet in "x" shape with a cutter and insert the floor bases ② from under side of the carpet.**



**4 Mount the unit on the carpet with spring washers (M6) ⑥ and wing nuts (M6) ⑧.**

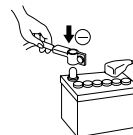
Continued to step 5 "Securing leads, etc."



**5 Securing leads, etc.**

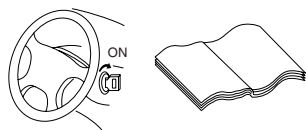
Make sure leads are not pinched by moving parts such as the seat rail, etc. Also check for damaged from sharp edges or protrusion.

**6 Connect the battery (-) terminal.**

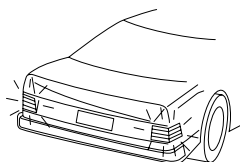


## 5. Confirmation

**1 Turn on the engine key. Make sure the unit is operating correctly by referring to the Owner's Manual.**

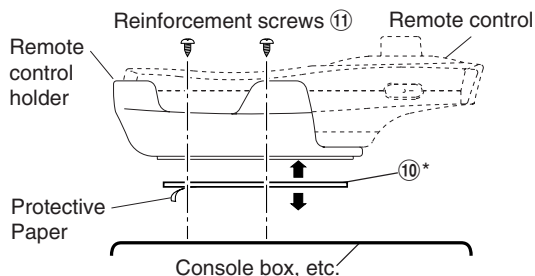


**2 Make sure all factory components such as the brake lamps, etc. work correctly.**



● **Remote control holder mounting method**

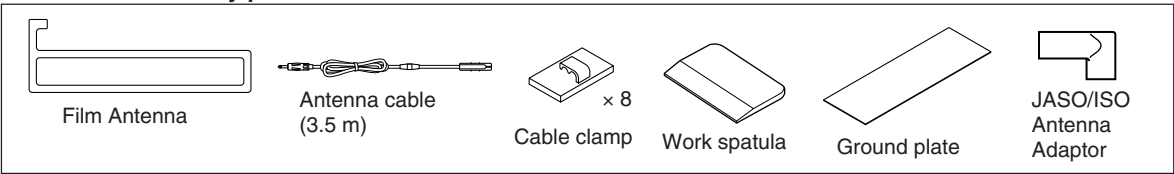
- If the remote control is in direct sunlight, remove it from the holder and keep it in the glove box.
- When the holder cannot be mounted securely with double-sided adhesive tape ⑩, mount it by using screws ⑪.



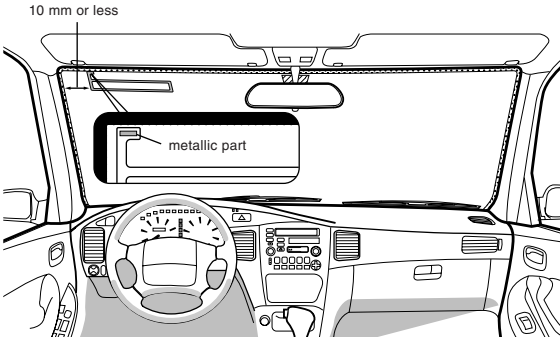
\* Double-sided adhesive tape. (Before attaching the tape, make sure the mounting location is free from dust or dirt.)

# 6. Installing TMC antenna

## 1 Check accessory parts.

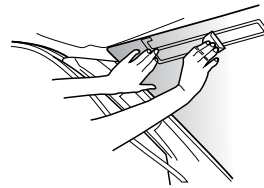


## 2 Attaching the film antenna to the front window

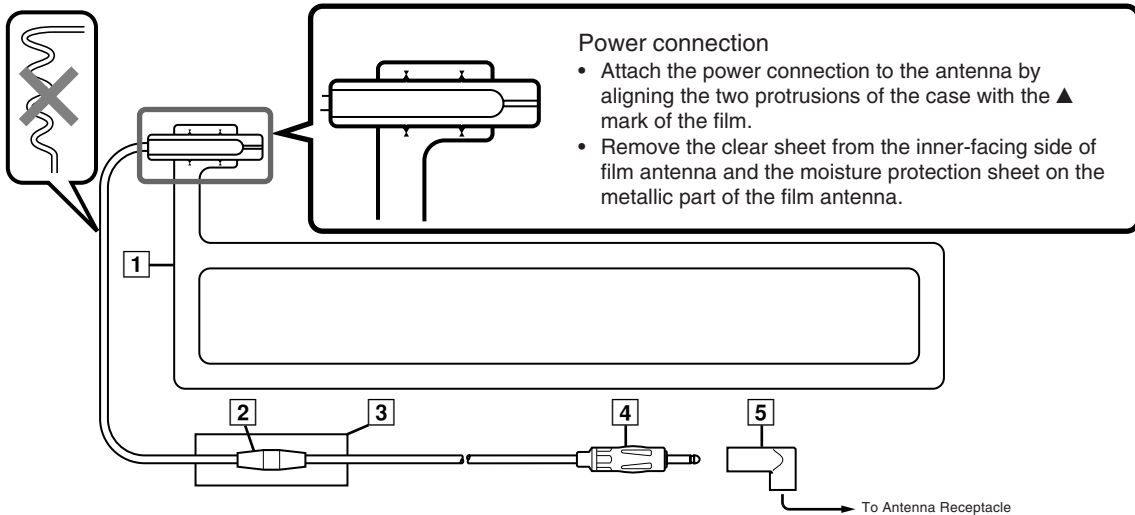


- Keep the metallic part of the film antenna within 25 mm of the ceramic line when attaching.
- Do not place the metallic part of film antenna on the ceramic line.

1. Clean the window surface to which you wish to attach the film antenna.
2. Spray the window glass with detergent solution (approximately 500 ml. water and one or two drops of synthetic detergent) thoroughly.
3. Remove the clear sheet from the adhesive side of film antenna, then attach it to the window. When attaching the film, be sure to break any trapped air bubbles using the supplied work spatula. Wipe off the moisture with paper, etc., being careful not to move the film antenna.



## 3 Installing the antenna cable



1 Film Antenna

2 Ground Connector

Connect this lead to a good chassis ground on the vehicle. Attach the Ground connector to the ground plate after removing the protective paper.

3 Ground Plate

Remove the protective paper and attach to a bare metal chassis part of your vehicle. Before attaching, clean the surface.

4 JASO Antenna Plug

5 JASO/ISO Antenna Adaptor (Included)

### Notes:

- Be sure to install the antenna cable only after the film has entirely dried.
- Ensure to follow the instructions below to avoid poor reception.
  - Fix the Ground connector to a bare metal chassis part of your vehicle securely using the ground plate.
  - Install the cable securely after attaching to a bare metal chassis part of your vehicle with the included cable clamps.
  - Attach the power connection to the film securely.